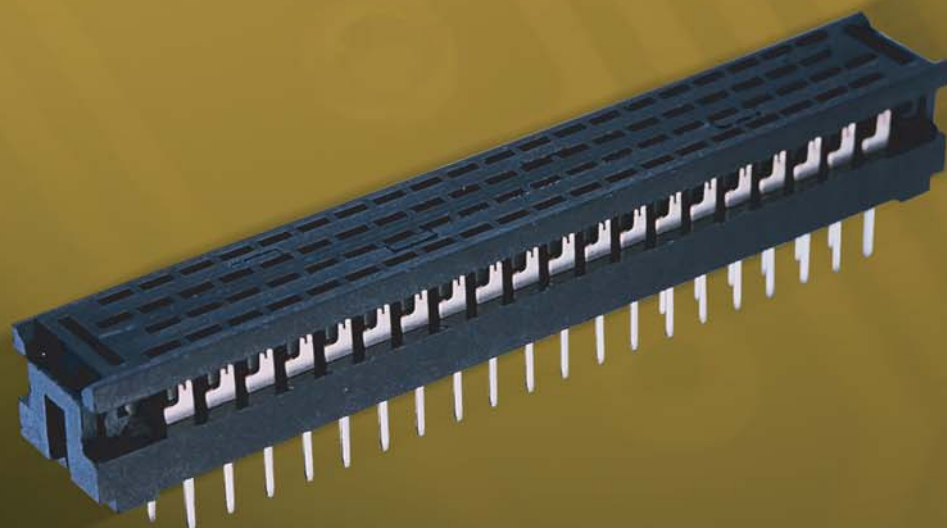


Board To Wire & Wire To Wire

Connectors

3-1 ~ 3-98 · HOUSING WAFER TERMINAL

3-99 ~ 3-111 · WIRE TO BOARD Conn.



B

oard To Wire & Wire To Wire Connectors



CONNECTORS MANUFACTURER

HOUSING WAFER TERMINAL

- 3-1 ▶ 0.5mm Terminal / Housing / Wafer SMT R/A Type
- 3-2 ▶ 0.8mm Housing IDC / Wafer SMT R/A & SMT Straight Type
- 3-3 ▶ 1.0mm Terminal / Housing / Wafer SMT R/A Type
- 3-4 ▶ 1.0mm Wafer SMT R/A & SMT Straight Type
- 3-5 ▶ 1.0mm Terminal / Housing / Wafer SMT R/A Type
- 3-6 ▶ 1.0mm Terminal / Housing / Wafer SMT R/A Type
- 3-7 ▶ 1.0mm Terminal / Housing
- 3-8 ▶ 1.25mm Terminal / Housing / Wafer SMT R/A & SMT Straight Type
- 3-9 ▶ 1.25mm Wafer Right Angle & Straight Type
- 3-10 ▶ 1.25mm Terminal / Housing / Wafer Right Angle & Straight Type
- 3-11 ▶ 1.25mm Terminal / Housing / SMT Straight Type
- 3-12 ▶ 1.25mm Wafer SMT R/A & SMT Straight & Right Angle & Straight Type
- 3-13 ▶ 1.25mm Terminal / Housing
- 3-14 ▶ 1.25mm Wafer SMT R/A & SMT Straight Type
- 3-15 ▶ 1.25mm Terminal / Housing / Wafer SMT R/A Type
- 3-16 ▶ 1.25mm Terminal / Housing / Wafer SMT R/A Type
- 3-17 ▶ 1.25mm Terminal / Housing / Wafer SMT R/A & SMT Straight Type
- 3-18 ▶ 1.25mm Wafer SMT R/A Type
- 3-18 ▶ 1.25mm Terminal / Housing
- 3-19 ▶ 1.27mm Housing IDC Type / Wafer SMT Straight & R/A & Straight Type
- NEW** 3-20 ▶ 1.27mm Female & Male Terminal / Housing
- 3-21 ▶ 1.5mm Terminal / Housing / Wafer SMT Straight & SMT R/A Type
- 3-22 ▶ 1.5mm Wafer Right Angle & Straight Type
- 3-23 ▶ 1.5mm Terminal / Housing / Wafer SMT Straight & SMT R/A Type
- 3-24 ▶ 1.5mm Terminal / Housing
- 3-25 ▶ 2.0mm Terminal / Housing
- 3-26 ▶ 2.0mm Terminal / Housing / Wafer SMT R/A & SMT Straight Type
- 3-27 ▶ 2.0mm Wafer Right Angle / Straight Type
- 3-28 ▶ 2.0mm Terminal / Housing / Wafer Right Angle & Straight Type
- 3-29 ▶ 2.0mm Terminal / Housing / Wafer Right Angle & Straight Type
- 3-30 ▶ 2.0mm Terminal / Housing
- 3-31 ▶ 2.0mm Wafer Right Angle / Straight Type
- 3-32 ▶ 2.0mm Terminal / Housing / Wafer Right Angle & Straight Type
- 3-33 ▶ 2.0mm Terminal / Housing
- 3-34 ▶ 2.0mm Terminal / Housing / Wafer Right Angle & Straight Type
- 3-35 ▶ 2.0mm Terminal / Housing / Wafer Right Angle & Straight Type
- 3-36 ▶ 2.0mm Terminal / Housing / Wafer Right Angle & Straight Type



HOUSING WAFER TERMINAL

- 3-37 ▶ 2.0mm Female & Male Terminal / Female & Male Housing
- 3-38 ▶ 2.0mm Terminal / Housing / Wafer Right Angle & Straight Type
- 3-39 ▶ 2.0mm Terminal / Housing / Wafer SMT & Right Angle & Straight Type
- 3-40 ▶ 2.5mm Terminal / Housing / Wafer Right Angle & Straight Type
- 3-41 ▶ 2.5mm Terminal / Housing
- 3-42 ▶ 2.5mm Terminal / Housing / Wafer Right Angle & Straight Type
- 3-43 ▶ 2.5mm Terminal / Housing / Wafer Right Angle & Straight Type
- 3-44 ▶ 2.5mm Terminal / Housing / Wafer Right Angle & Straight Type
- 3-45 ▶ 2.5mm Terminal / Housing / Wafer Right Angle & Straight Type
- 3-46 ▶ 2.5mm Terminal / Housing / Wafer Right Angle & Straight Type
- 3-47 ▶ 2.5mm Female & Male Terminal / Female & Male Housing
- 3-48 ▶ 2.5mm Terminal / Housing / Wafer Right Angle & Straight Type
- 3-49 ▶ 2.5mm Female & Male Terminal / Female & Male Housing
- 3-50 ▶ 2.5mm Terminal / Housing / Wafer Right Angle & Straight Type
- 3-51 ▶ 2.5mm Terminal / Housing / Wafer Right Angle & Straight Type
- 3-52 ▶ 2.5mm Terminal / Housing / Wafer Right Angle & Straight Type
- 3-53 ▶ 2.54mm Housing IDC Type & Cover
- 3-54 ▶ 2.54mm Terminal / Housing
- 3-55 ▶ 2.54mm Terminal / Housing / Wafer Right Angle & Straight Type
- 3-56 ▶ 2.54mm Terminal / Housing / Wafer Right Angle & Straight Type
- 3-57 ▶ 2.54mm Mini Latch Terminal / Housing / Wafer Straight Type
- 3-58 ▶ 2.54mm Mini Latch Wafer SMT R/A / Right Angle & Straight Type
- 3-59 ▶ 2.54mm Terminal / Housing / Wafer Right Angle & Straight Type
- 3-60 ▶ 2.54mm Wafer DIP Type
- 3-61 ▶ 2.54mm Terminal / Housing
- 3-62 ▶ 2.54mm Wafer Right Angle & Straight Type
-  3-63 ▶ 2.54mm Terminal / Housing
-  3-64 ▶ 2.54mm Housing / Housing IDC Type
-  3-65 ▶ 2.54mm Terminal / Housing / Wafer SMT & R/A & Wafer Straight Type
-  3-66 ▶ 2.54mm Terminal / Housing / Wafer R/A & Wafer Straight Type
-  3-67 ▶ 3.0mm Female Terminal / Male Housing / Wafer Straight Type
-  3-68 ▶ 3.0mm Male Terminal / Female Housing / Wafer Straight Type
- 3-69 ▶ 3.0mm Wafer SMT Right Angle / SMT Straight Type
- 3-70 ▶ 3.0mm Wafer Right Angle / Straight Type
- 3-71 ▶ 3.96mm Housing IDC Type & Cover
- 3-71 ▶ 3.96mm Terminal / Housing
- 3-72 ▶ 3.96mm Wafer Right Angle / Straight Type

B

oard To Wire & Wire To Wire Connectors



HOUSING WAFER TERMINAL

- 3-73 ▶ 3.96mm Terminal / Housing / Wafer Right Angle & Straight Type
- 3-74 ▶ 3.96mm Terminal / Housing / Wafer Straight Type
- 3-75 ▶ 3.96mm Wafer DIP Type
- 3-76 ▶ 3.96mm Terminal / Housing / Wafer Right Angle & Straight Type
- 3-77 ▶ 4.14mm Female & Male Terminal / Female & Male Housing
- 3-78 ▶ 4.2mm Female Terminal / Male Housing / Crimp Male Housing
- 3-79 ▶ 4.2mm Male Terminal / Female Housing / Crimp Female Housing
- 3-80 ▶ 4.2mm Wafer Square Pin Right Angle / Straight Type
- 3-81 ▶ 4.2mm Wafer Straight / Square Pin Right Angle Type
- 3-82 ▶ 4.5mm Female & Male Terminal / Female & Male Housing
- 3-83 ▶ 4.8mm Female & Male Terminal / Female & Male Housing
- 3-84 ▶ 5.03mm Female & Male Terminal / Female & Male Housing
- 3-85 ▶ 5.08mm Female & Male Terminal / Female & Male Housing
- 3-86 ▶ 5.08mm Wafer Right Angle & Straight Type
- 3-87 ▶ 5.08mm Housing IDC Type & Cover
- 3-87 ▶ 5.08mm Terminal / Housing
- 3-88 ▶ 5.08mm Wafer Right Angle & Straight Type
- 3-89 ▶ 5.08mm Wafer DIP Type
- 3-90 ▶ 6.35mm Female & Male Terminal / Female & Male Housing
- 3-91 ▶ 6.35mm Wafer Right Angle / Straight Type
- 3-92 ▶ 8.38mm Female & Male Terminal / Female & Male Housing
- 3-93 ▶ 3.5mm LCD Terminal / Housing
- 3-94 ▶ 3.5mm LCD Housing / Wafer SMT R/A & DIP Type
- 3-95 ▶ 3.5mm LCD Terminal / Housing
- 3-96 ▶ LCD Wafer SMT R/A & DIP Type
- 3-97 ▶ 4.0mm LCD Terminal / Housing

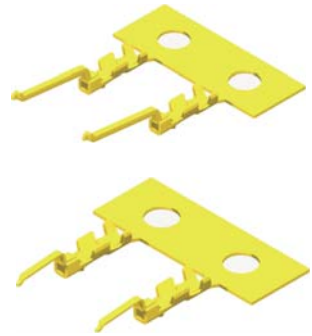
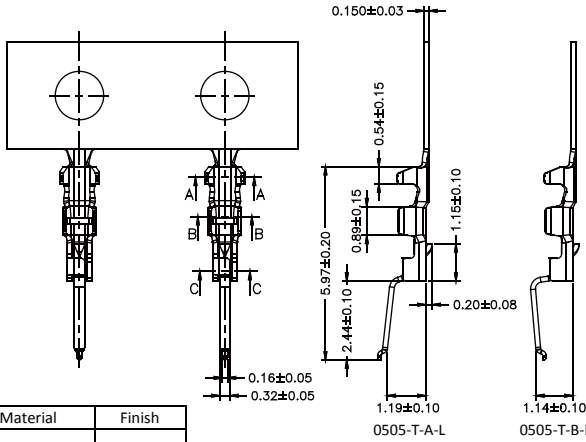
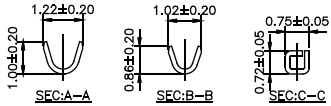


CONNECTORS MANUFACTURER



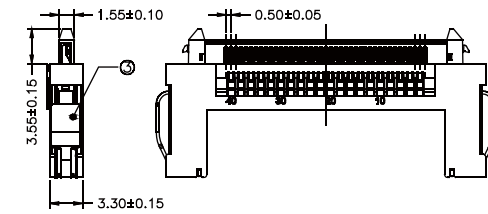
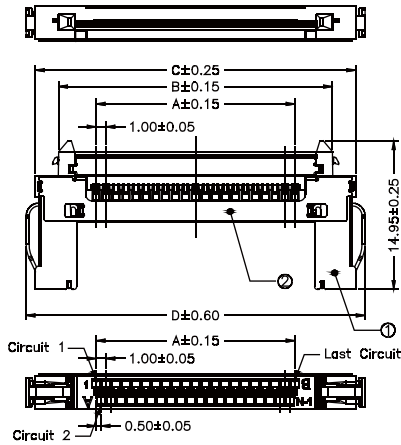
0.5mm Terminal / Housing / Wafer SMT Right Angle Type

Specifications
 Current Rating: 0.7A AC,DC
 Voltage Rating: 100V AC,DC
 Temperature Range: -25°C to +85°C
 Contact Resistance: 50mΩ Max
 Insulation Resistance: 100MΩ Min
 Withstanding Voltage: 500V AC/minute
 Terminal: Phosphor Bronze / Gold Plated
 Shell: Phosphor Bronze / Tin Plated
 Material: Housing: Nylon 46, UL94V-0
 Wafer: LCP, UL94V-0



Part No.	Wire Range	Insulation O.D.	Material	Finish
0505-T-A-L	#30-#36	0.75mm(Max)	Phosphor Bronze	Gold Plated
0505-T-B-L				

Part No.:0505-T-A-L / 0505-T-B-L

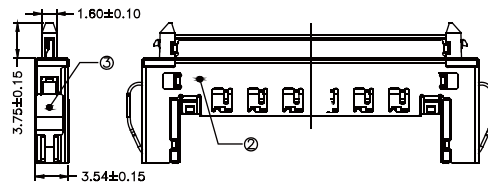
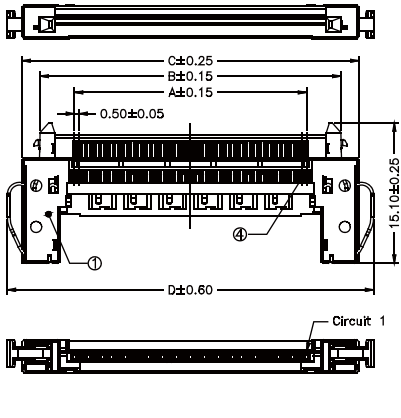


No.	Description	Material	Color
1	Insulator	Nylon 46,UL94V-0	Natural(Black)
2	Ground plate	Stainless	---
3	Lock lever	Stainless	---



No. of Contacts	Dimensions			
	A	B	C	D
21	10.00	17.54	22.20	24.34
31	15.00	22.54	27.20	29.34
41	20.00	27.54	32.20	34.34
51	25.00	32.54	37.20	39.34

Part No.:0505H-XXB-U

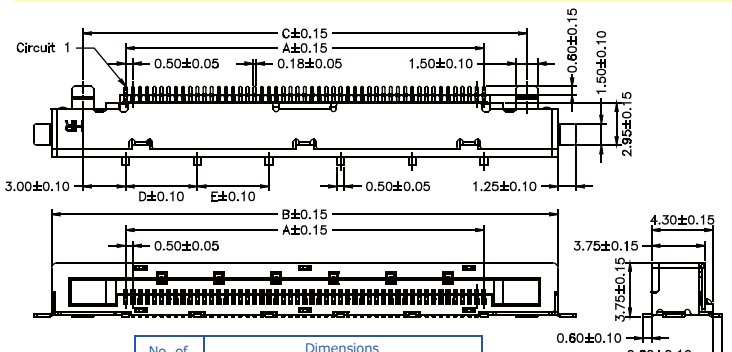


No.	Description	Material	Color
1	Insulator	LCP,UL94V-0	Natural(Black)
2	Ground plate	Phosphor Bronze/Tin-plated	---
3	Lock lever	Stainless	---
4	Contact	Phosphor Bronze/ Gold-plated on contact area; Tin-plated on solder area	---

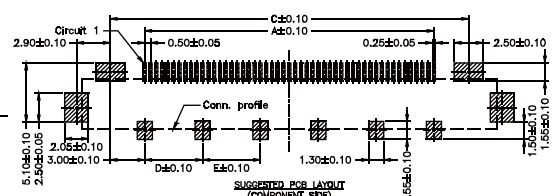


No. of Contacts	Dimensions			
	A	B	C	D
21	10.00	17.40	21.25	24.45
31	15.00	22.40	26.25	29.45
41	20.00	27.40	31.25	34.45
51	25.00	32.40	36.25	39.45

Part No.:0505HA-XXB-U



No. of Contacts	Dimensions				
	A	B	C	D	E
21	10.00	20.35	16.00	3.00	---
31	15.00	25.35	21.00	4.00	---
41	20.00	30.35	26.00	4.00	4.00
51	25.00	35.35	31.00	5.00	5.00



Part No.:0505MR-XXGB-U

Housing Wafer Terminal

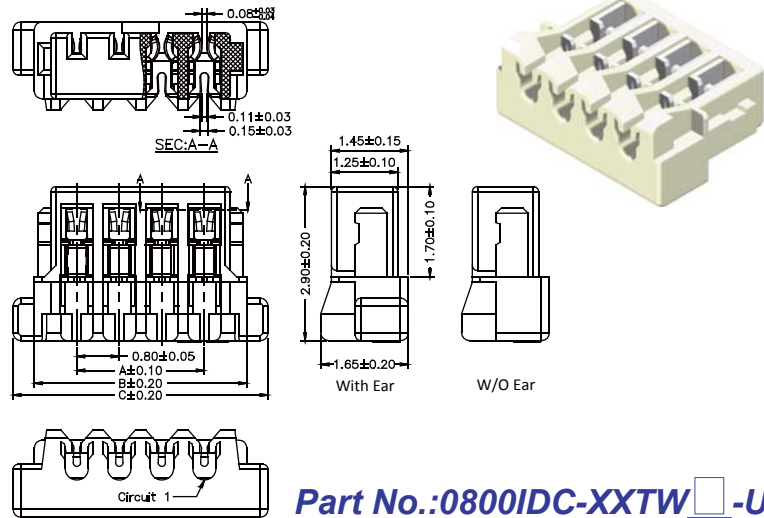


ROHS

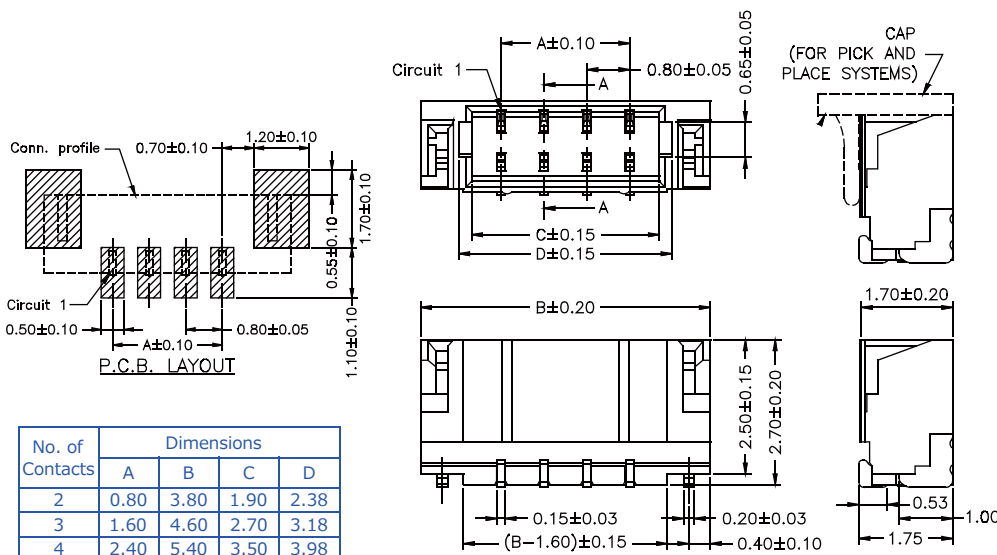
0.8mm Housing IDC / Wafer SMT Straight & SMT Right Angle Type

Specifications
 Current Rating: 0.5A AC,DC
 Voltage Rating: 30V AC,DC
 Temperature Range: -25°C to +85°C
 Contact Resistance: 20mΩ Max
 Insulation Resistance: 100MΩ Min
 Withstanding Voltage: 200V AC/minute
 Terminal: Phosphor Bronze / Tin Plated
 Solder Tabs: Phosphor Bronze / Tin Plated
 Material: Housing: Nylon 46, UL94V-0
 Wafer: Nylon 6T, UL94V-0

No. of Contacts	Dimensions			No. of Contacts	Dimensions		
	A	B	C		A	B	C
2	0.80	2.40	3.20	10	7.20	8.80	9.60
3	1.60	3.20	4.00	12	8.80	10.40	11.20
4	2.40	4.00	4.80	14	10.40	12.00	12.80
5	3.20	4.80	5.60	15	11.20	12.80	13.60
6	4.00	5.60	6.40	16	12.00	13.60	14.40
7	4.80	6.40	7.20	17	12.80	14.40	15.20
8	5.60	7.20	8.00	20	15.20	16.80	17.60

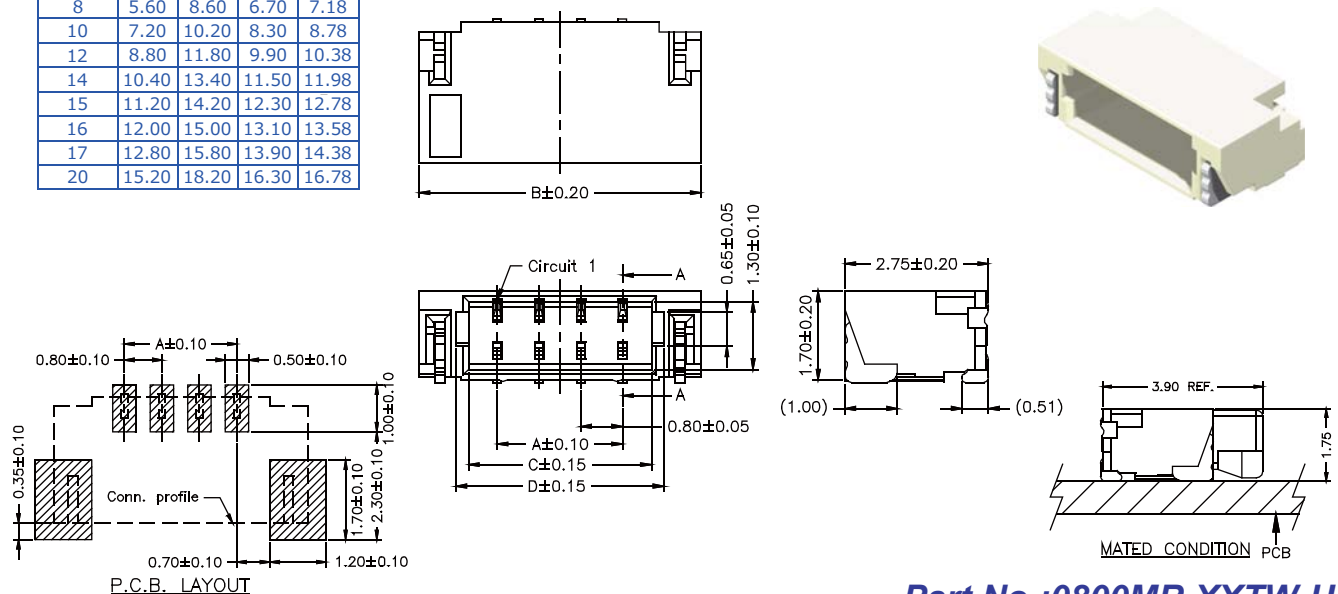


Part No.:0800IDC-XXTW-U
 1:WITH Ear
 2:W/O Ear



No. of Contacts	Dimensions			
	A	B	C	D
2	0.80	3.80	1.90	2.38
3	1.60	4.60	2.70	3.18
4	2.40	5.40	3.50	3.98
5	3.20	6.20	4.30	4.78
6	4.00	7.00	5.10	5.58
7	4.80	7.80	5.90	6.38
8	5.60	8.60	6.70	7.18
10	7.20	10.20	8.30	8.78
12	8.80	11.80	9.90	10.38
14	10.40	13.40	11.50	11.98
15	11.20	14.20	12.30	12.78
16	12.00	15.00	13.10	13.58
17	12.80	15.80	13.90	14.38
20	15.20	18.20	16.30	16.78

Part No.:0800MS-XXTW-U

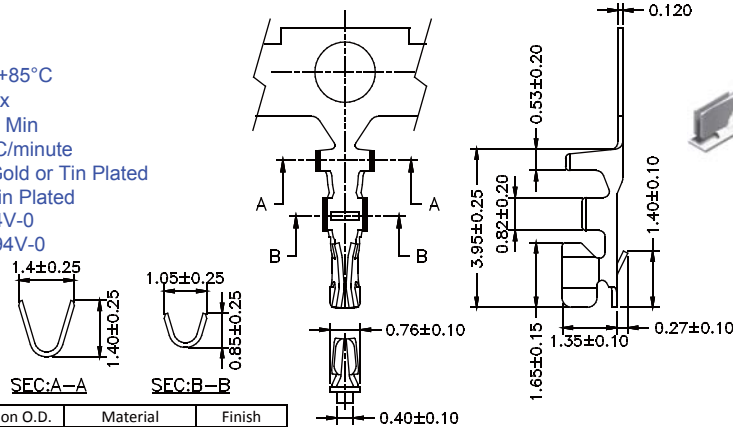


Part No.:0800MR-XXTW-U



1.0mm Terminal / Housing / Wafer SMT Right Angle Type

Specifications
 Current Rating: 1A AC,DC
 Voltage Rating: 50V AC,DC
 Temperature Range: -25°C to +85°C
 Contact Resistance: 20mΩ Max
 Insulation Resistance: 100MΩ Min
 Withstanding Voltage: 500V AC/minute
 Terminal: Phosphor Bronze / Gold or Tin Plated
 Solder Tabs: Brass / Gold or Tin Plated
 Material: Housing: P.B.T, UL94V-0
 Wafer: Nylon 6T, UL94V-0

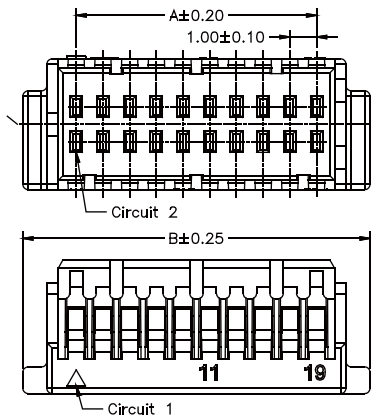


Part No.	Wire Range	Insulation O.D.	Material	Finish
1001-TTP-L	#28-#32	0.80mm(Max)	Phosphor Bronze	Tin Plated
1001-TGP-L				Gold Plated

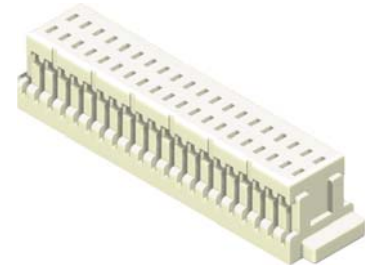


Part No.:1001-T-L

Housing Wafer Terminal

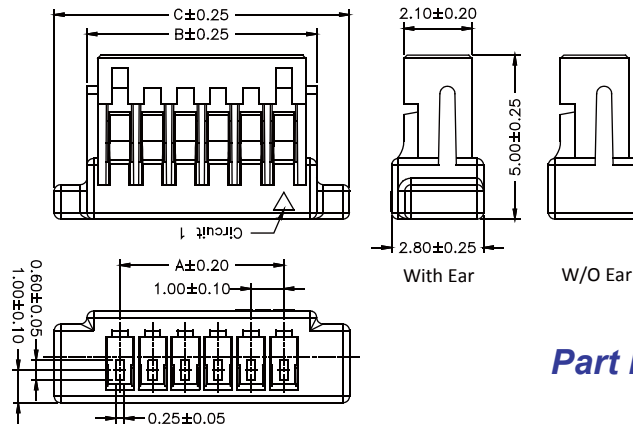


No. of Contacts	Dimensions	
	A	B
2x6	5.00	9.00
2x8	7.00	11.00
2x10	9.00	13.00
2x15	14.00	18.00
2x20	19.00	23.00
2x25	24.00	28.00

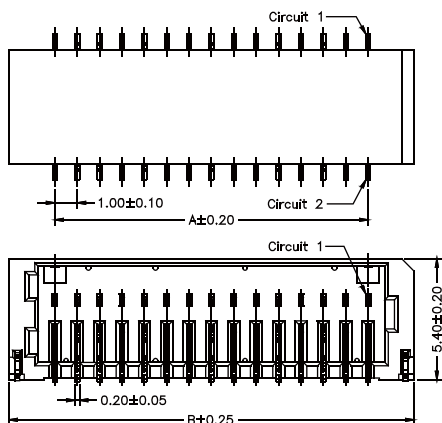


Part No.:1001H-2XXW-L

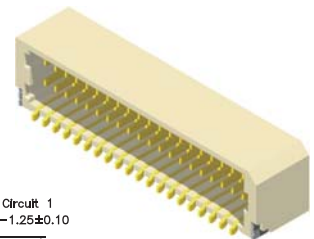
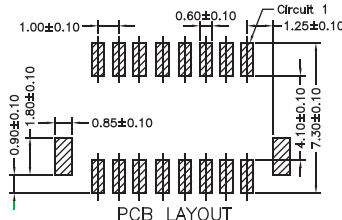
No. of Contacts	Dimensions		
	A	B	C
2	1.00	3.00	5.00
3	2.00	4.00	6.00
4	3.00	5.00	7.00
5	4.00	6.00	8.00
6	5.00	7.00	9.00
7	6.00	8.00	10.00
8	7.00	9.00	11.00
9	8.00	10.00	12.00
10	9.00	11.00	13.00
11	10.00	12.00	14.00
12	11.00	13.00	15.00
13	12.00	14.00	16.00
14	13.00	15.00	17.00
15	14.00	16.00	18.00
16	15.00	17.00	19.00
17	16.00	18.00	20.00
18	17.00	19.00	21.00
19	18.00	20.00	22.00
20	19.00	21.00	23.00



Part No.:1001H-1XXW-L
 1:WITH Ear
 2:W/O Ear



No. of Contacts	Dimensions	
	A	B
2x6	5.00	9.10
2x8	7.00	11.10
2x10	9.00	13.10
2x15	14.00	18.10
2x20	19.00	23.10
2x25	24.00	28.10



Part No.:1001MR-2XXGW-U

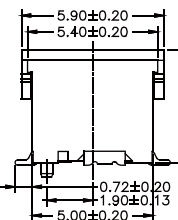
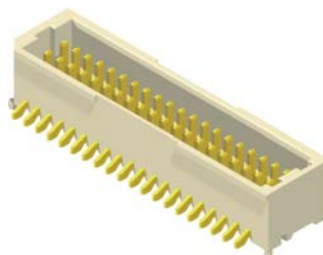
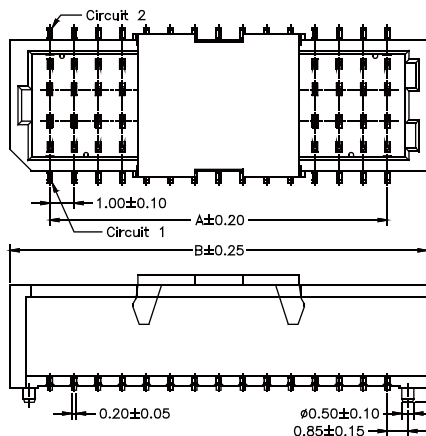
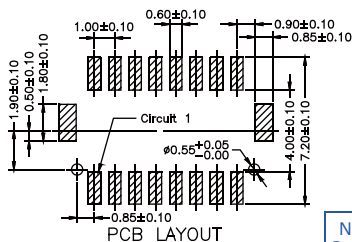


ROHS

CONNECTOR MANUFACTURER

1.0mm Wafer SMT Straight & SMT Right Angle Type

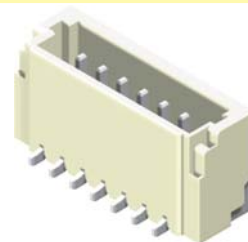
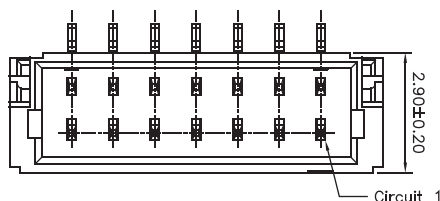
Specifications
 Current Rating: 1A AC,DC
 Voltage Rating: 50V AC,DC
 Temperature Range: -25°C to +85°C
 Contact Resistance: 20mΩ Max
 Insulation Resistance: 100MΩ Min
 Withstanding Voltage: 500V AC/minute
 Terminal: Phosphor Bronze / Gold or Tin Plated
 Solder Tabs: Brass / Gold or Tin Plated
 Material: Nylon 6T, UL94V-0



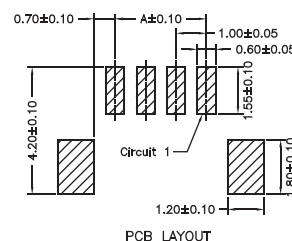
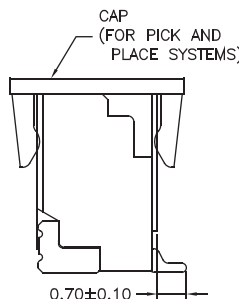
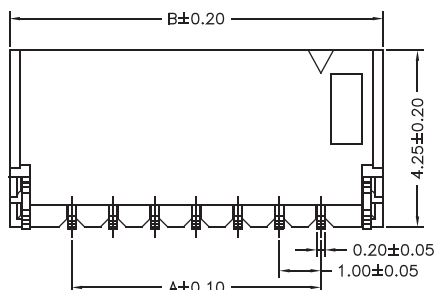
No. of Contacts	Dimensions		No. of Contacts	Dimensions	
	A	B		A	B
2x6	5.00	9.10	2x15	14.00	18.10
2x8	7.00	11.10	2x20	19.00	23.10
2x10	9.00	13.10	2x25	24.00	28.10

Part No.: 1001MS-2XXGW-U

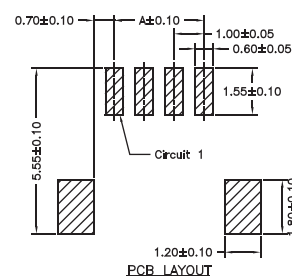
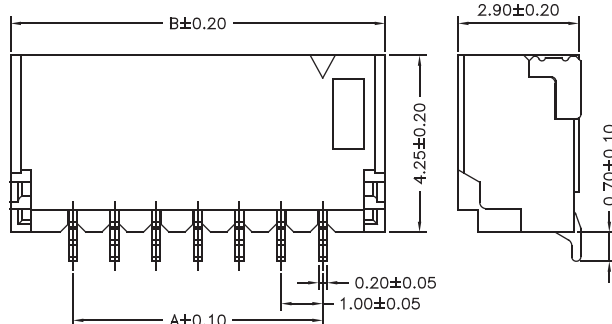
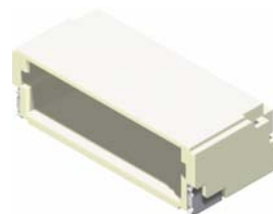
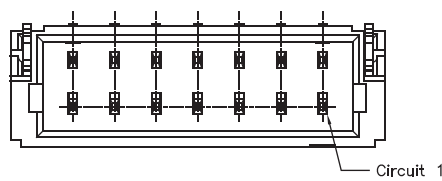
1: With Post
 2: W/O Post



No. of Contacts	Dimensions	
	A	B
2	1.00	4.00
3	2.00	5.00
4	3.00	6.00
5	4.00	7.00
6	5.00	8.00
7	6.00	9.00
8	7.00	10.00
9	8.00	11.00
10	9.00	12.00
11	10.00	13.00
12	11.00	14.00
13	12.00	15.00
14	13.00	16.00
15	14.00	17.00
16	15.00	18.00
17	16.00	19.00
18	17.00	20.00
19	18.00	21.00
20	19.00	22.00



Part No.: 1001MS-1XXTW-U



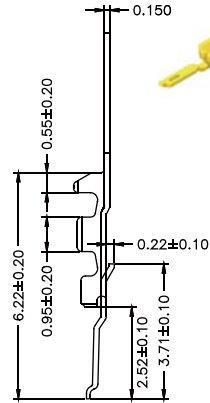
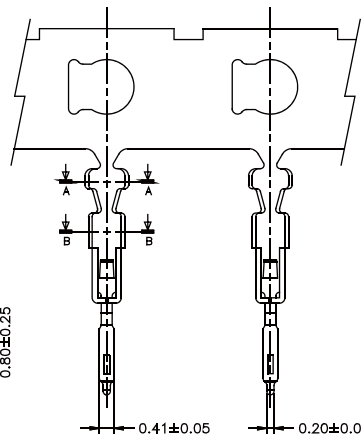
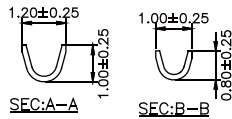
Part No.: 1001MR-1XXTW-U



1.0mm Terminal / Housing / Wafer SMT Right Angle Type

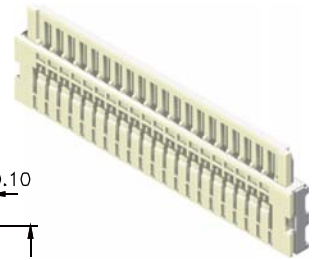
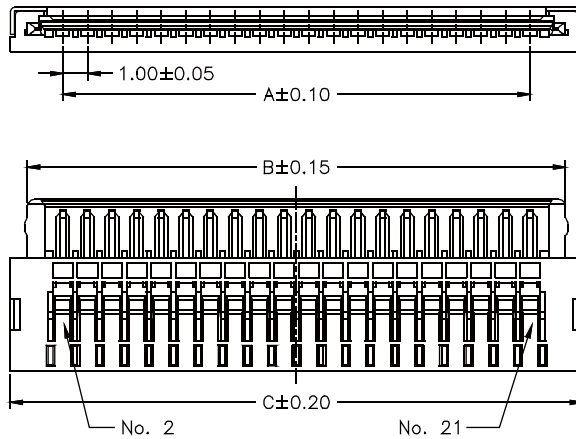
Specifications

Current Rating: 1A AC,DC
 Voltage Rating: 200V AC,DC
 Temperature Range: -25°C to +85°C
 Contact Resistance: 40mΩ Max
 Insulation Resistance: 100MΩ Min
 Withstanding Voltage: 500V AC/minute
 Terminal: Phosphor Bronze / Gold Plated
 Shell: Phosphor Bronze / Nickel or Tin Plated
 Material: Housing: Nylon 46, UL94V-0
 Wafer: Nylon 6T, UL94V-0



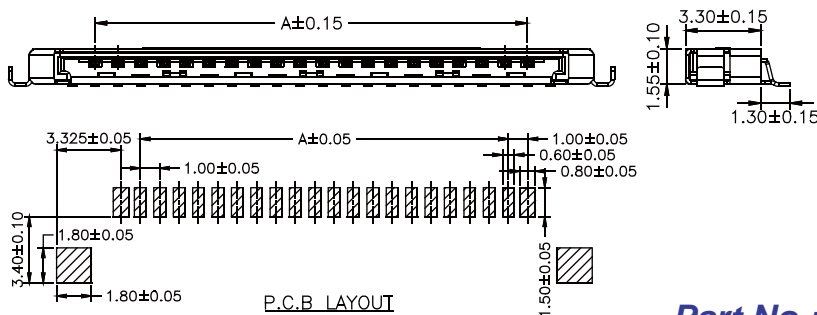
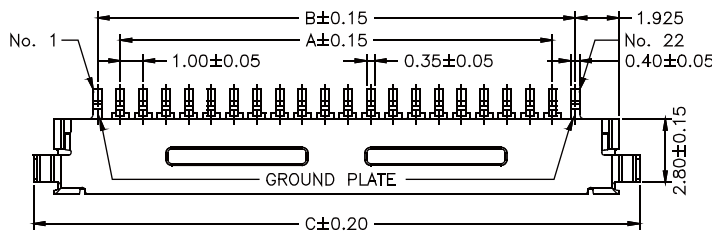
Wire Range	Insulation O.D.	Material	Finish
#28-#36	0.50mm(Max)	Phosphor Bronze	Gold Plated

Part No.:1002-T-L



No. of Contacts	Dimensions		
	A	B	C
20	19.00	21.88	23.28
30	29.00	31.88	32.28

Part No.:1002H-XXW-U



No. of Contacts	Dimensions		
	A	B	C
20	19.00	21.00	26.65
30	29.00	31.00	36.65

Part No.:1002MR-XXGW-U

Housing Wafer Terminal

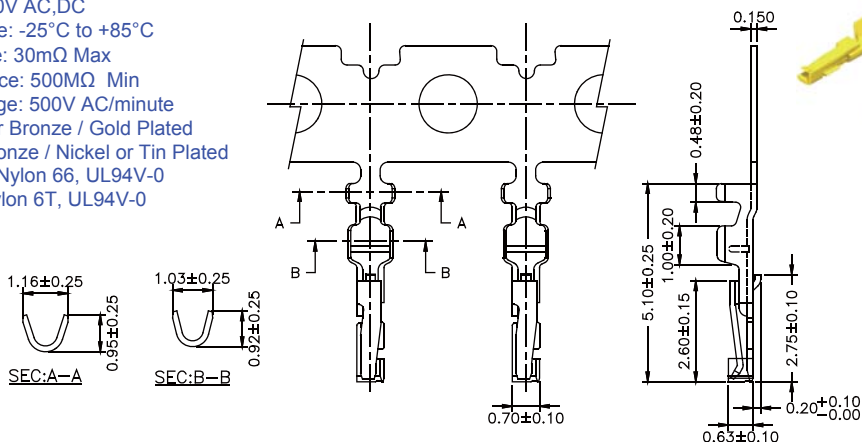


ROHS

1.0mm Terminal / Housing / Wafer SMT Right Angle Type

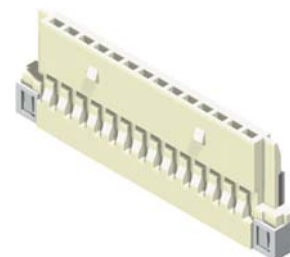
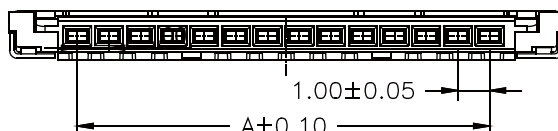
Specifications

Current Rating: 1A AC,DC
 Voltage Rating: 100V AC,DC
 Temperature Range: -25°C to +85°C
 Contact Resistance: 30mΩ Max
 Insulation Resistance: 500MΩ Min
 Withstanding Voltage: 500V AC/minute
 Terminal: Phosphor Bronze / Gold Plated
 Shell: Phosphor Bronze / Nickel or Tin Plated
 Material: Housing: Nylon 66, UL94V-0
 Wafer: Nylon 6T, UL94V-0

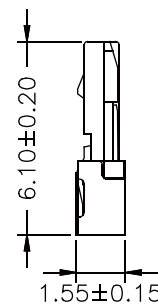
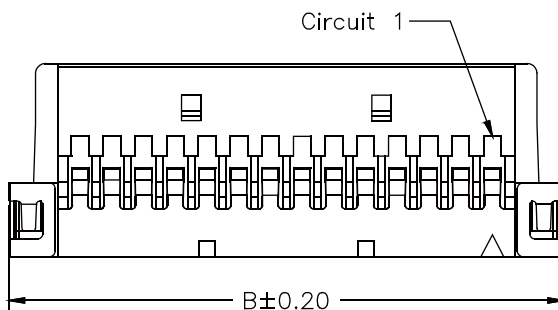


Wire Range	Insulation O.D.	Material	Finish
#28-#32	0.60mm(Max)	Phosphor Bronze	Gold Plated

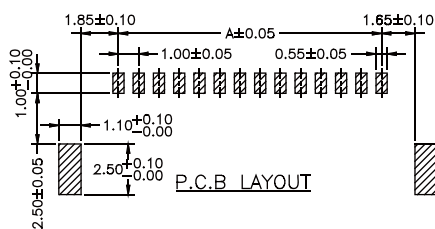
Part No.:1003-T-L



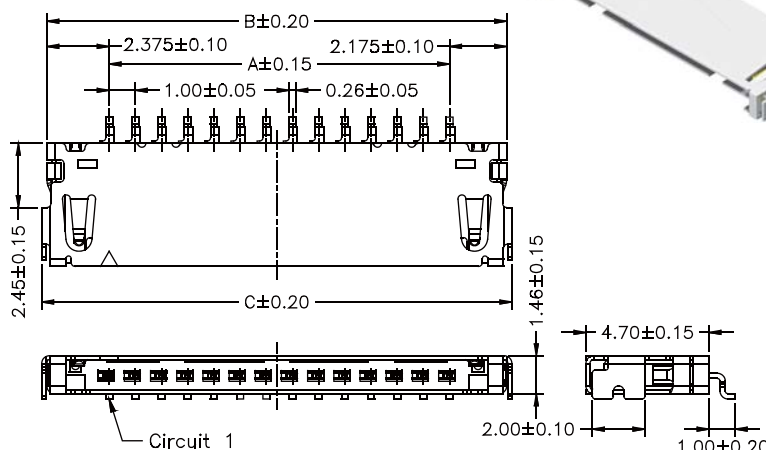
No. of Contacts	Dimensions	
	A	B
8	7.00	11.50
14	13.00	17.50
20	19.00	23.50
30	29.00	33.50



Part No.:1003H-XXW-L



No. of Contacts	Dimensions		
	A	B	C
8	7.00	11.55	11.95
14	13.00	17.55	17.95
20	19.00	23.55	23.95
30	29.00	33.55	33.95

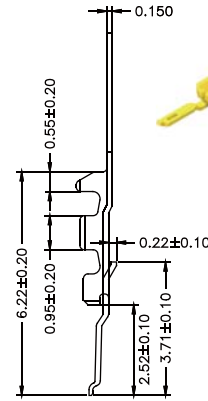
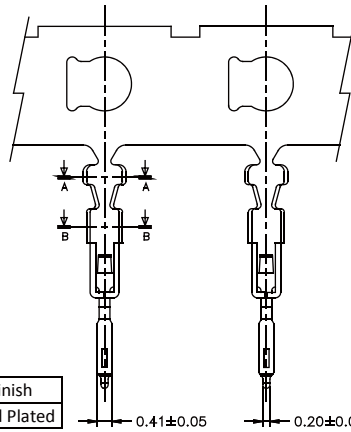
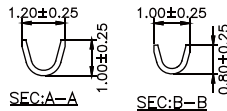


Part No.:1003MR-XXGW-U



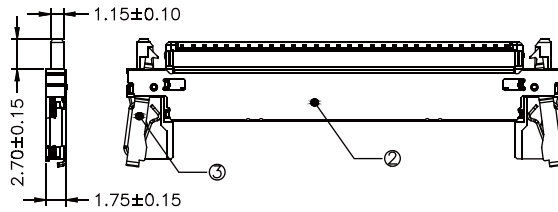
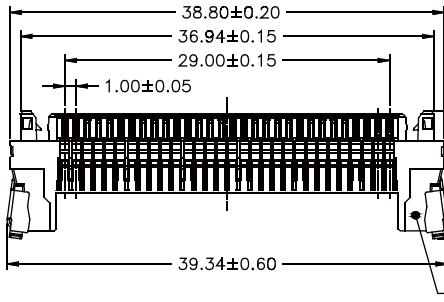
1.0mm Terminal / Housing

Specifications
 Current Rating: 1A AC,DC
 Voltage Rating: 200V AC,DC
 Temperature Range: -25°C to +85°C
 Contact Resistance: 40mΩ Max
 Insulation Resistance: 100MΩ Min
 Withstanding Voltage: 500V AC/minute
 Material: Nylon 46, UL94V-0



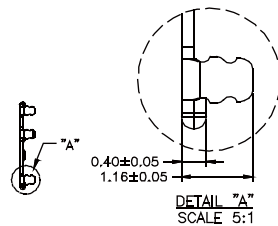
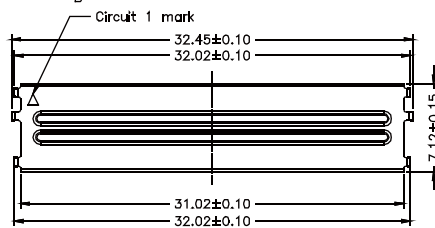
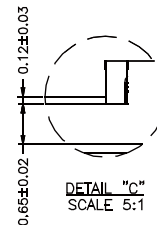
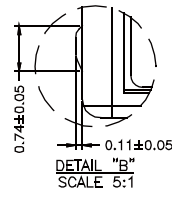
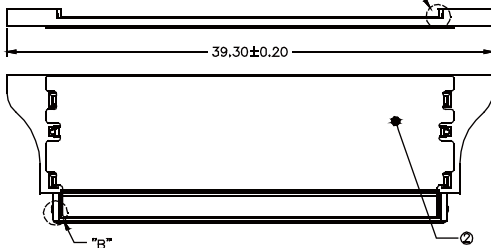
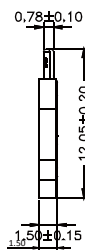
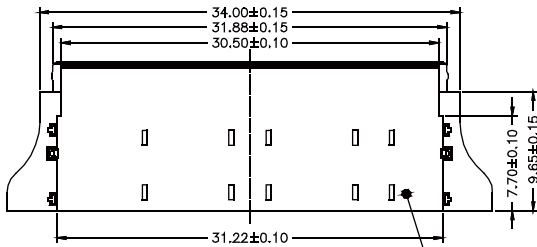
Wire Range	Insulation O.D.	Material	Finish
#28-#36	0.50mm(Max)	Phosphor Bronze	Gold Plated

Part No.:1002-T-L



Part No.:1004H-30W-U

1.0mm Terminal / Housing



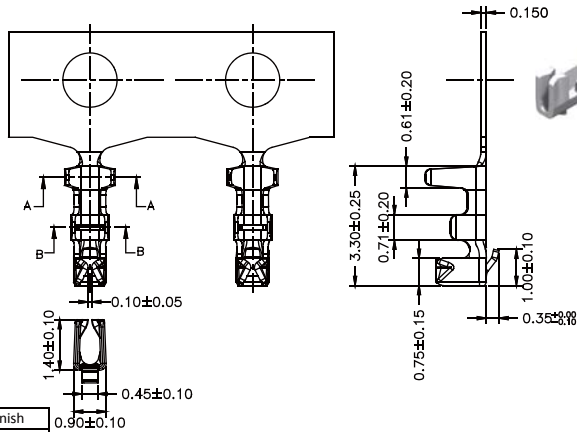
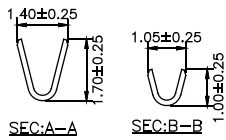
No.	Description	Material	Color
1	Insulator	Nylon 46,UL94V-0	Natural(Beige)
2	Ground plate	Stainless	---
3	Top cover	Stainless	---

Part No.:1010H-30W-L

1.25mm Terminal / Housing / Wafer SMT Straight / SMT R/A Type

Specifications

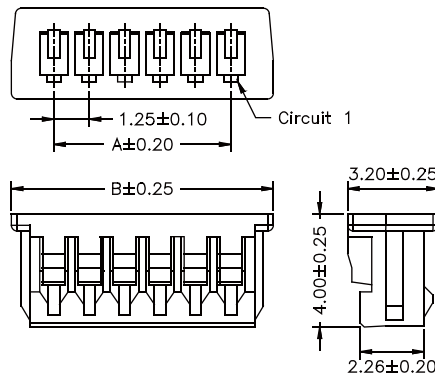
Current Rating: 1A AC,DC
 Voltage Rating: 125V AC,DC
 Temperature Range: -25°C to +85°C
 Contact Resistance: 20mΩ Max
 Insulation Resistance: 100MΩ Min
 Withstanding Voltage: 500V AC/minute
 Terminal: Phosphor Bronze / Tin Plated
 Solder Tabs: Phosphor Bronze / Tin Plated
 Material: Housing: P.B.T, UL94V-0
 Wafer: Nylon 6T, UL94V-0



Part No.	Wire Range	Insulation O.D.	Material	Finish
1250-TTP-L	#28-#32	1.00mm(Max)	Phosphor Bronze	Tin Plated
1250-TGP-L	#28-#32	1.00mm(Max)	Phosphor Bronze	Gold Plated

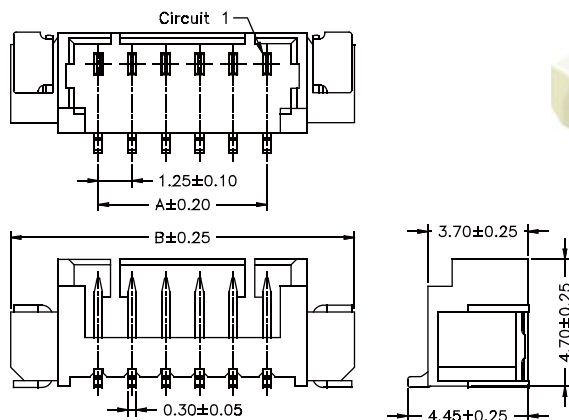
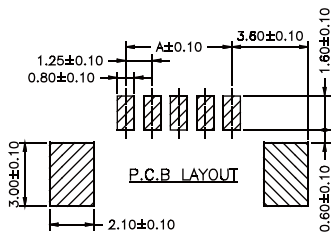
Part No.:1250-T-L

No. of Contacts	Dimensions		No. of Contacts	Dimensions	
	A	B		A	B
2	1.25	4.25	11	12.50	15.50
3	2.50	5.50	12	13.75	16.75
4	3.75	6.75	13	15.00	18.00
5	5.00	8.00	14	16.25	19.25
6	6.25	9.25	15	17.50	20.50
7	7.50	10.50	16	18.75	21.75
8	8.75	11.75	17	20.00	23.00
9	10.00	13.00	18	21.25	24.25
10	11.25	14.25			

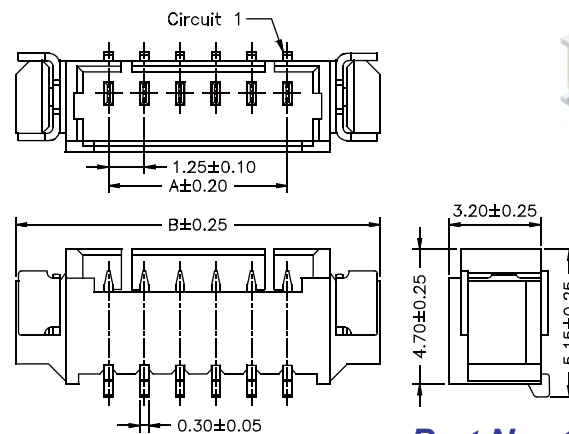
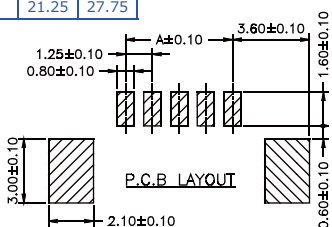


Part No.:1250H-XXW-L

No. of Contacts	Dimensions	
	A	B
2	1.25	7.75
3	2.50	9.00
4	3.75	10.25
5	5.00	11.50
6	6.25	12.75
7	7.50	14.00
8	8.75	15.25
9	10.00	16.50
10	11.25	17.75
11	12.50	19.00
12	13.75	20.25
13	15.00	21.50
14	16.25	22.75
15	17.50	24.00
16	18.75	25.25
17	20.00	26.50
18	21.25	27.75



Part No.:1250MS-XXTW-U

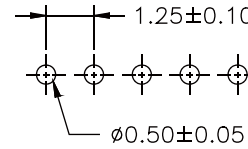
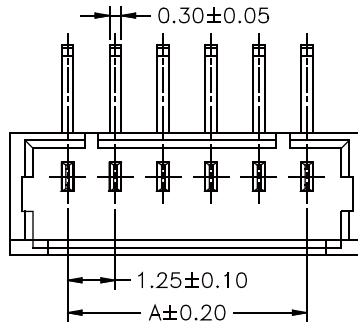
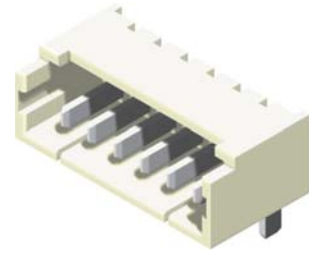


Part No.:1250MR-XXTW-U

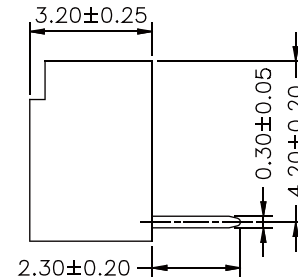
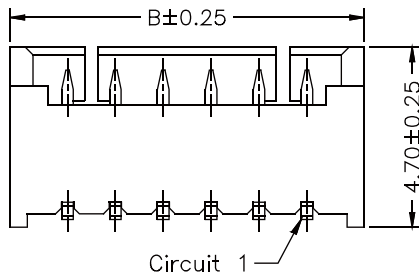


1.25mm Wafer Right Angle & Straight Type

Specifications
 Current Rating: 1A AC,DC
 Voltage Rating: 125V AC,DC
 Temperature Range: -25°C to +85°C
 Contact Resistance: 20mΩ Max
 Insulation Resistance: 100MΩ Min
 Withstanding Voltage: 500V AC/minute
 Terminal: Phosphor Bronze / Tin Plated
 Material: Nylon 6T,UL94V-0

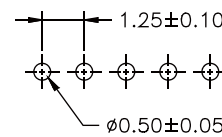
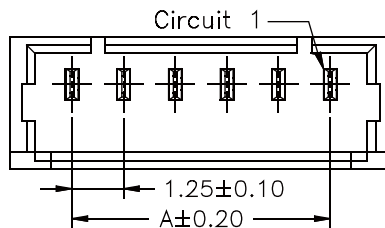


P.C.B. LAYOUT

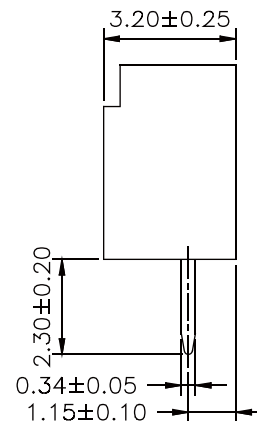
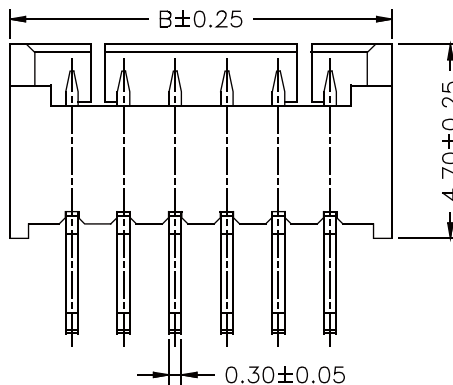


Part No.:1250R-XXTW-U

No. of Contacts	Dimensions	
	A	B
2	1.25	4.25
3	2.50	5.50
4	3.75	6.75
5	5.00	8.00
6	6.25	9.25
7	7.50	10.50
8	8.75	11.75
9	10.00	13.00
10	11.25	14.25
11	12.50	15.50
12	13.75	16.75
13	15.00	18.00
14	16.25	19.25
15	17.50	20.50
16	18.75	21.75
17	20.00	23.00
18	21.25	24.25



P.C.B. LAYOUT



Part No.:1250S-XXTW-U

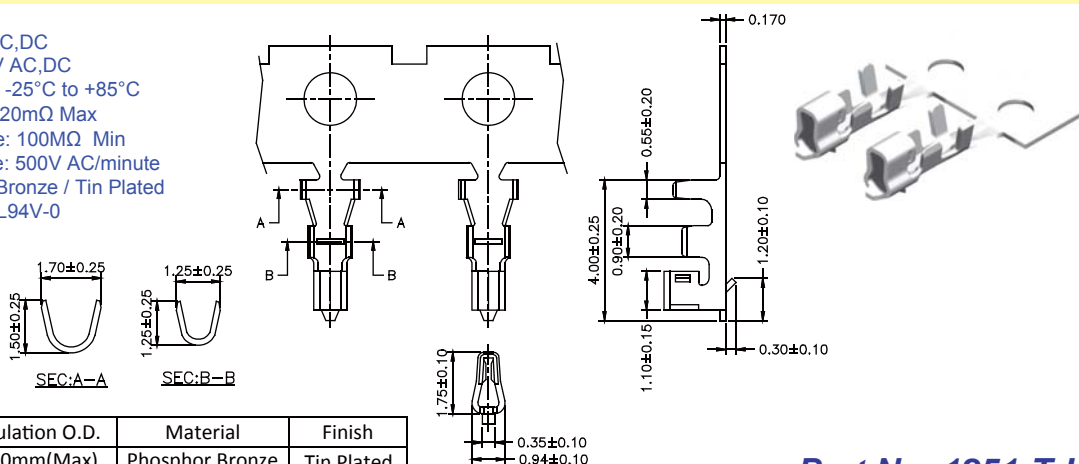
Housing Wafer Terminal



ROHS

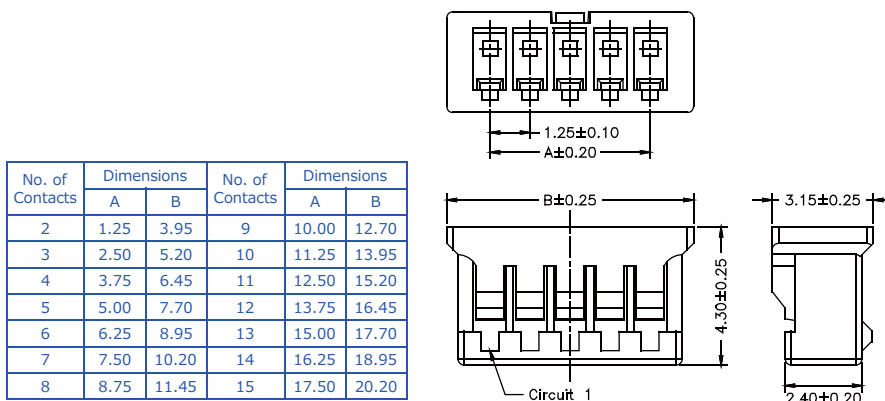
1.25mm Terminal / Housing / Wafer Right Angle & Straight Type

Specifications
 Current Rating: 1A AC,DC
 Voltage Rating: 200V AC,DC
 Temperature Range: -25°C to +85°C
 Contact Resistance: 20mΩ Max
 Insulation Resistance: 100MΩ Min
 Withstanding Voltage: 500V AC/minute
 Terminal: Phosphor Bronze / Tin Plated
 Material: Nylon 66 ,UL94V-0



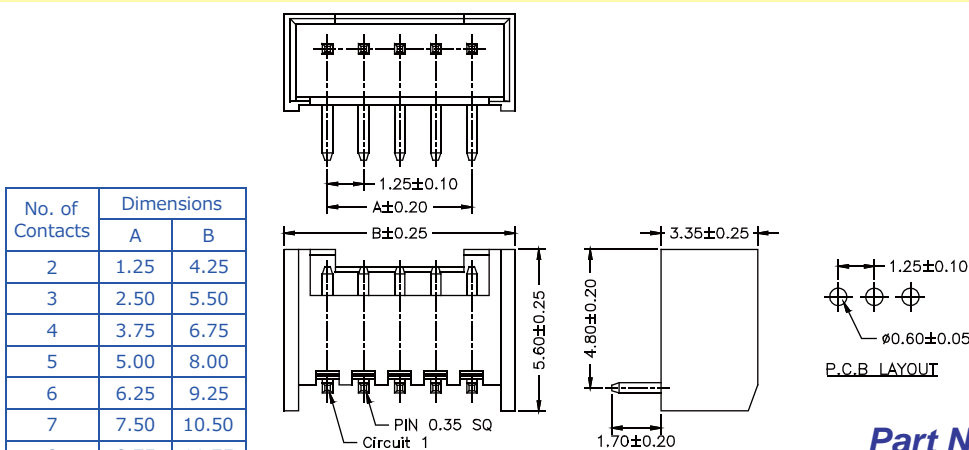
Wire Range	Insulation O.D.	Material	Finish
#28-#32	1.00mm(Max)	Phosphor Bronze	Tin Plated

Part No.:1251-T-L



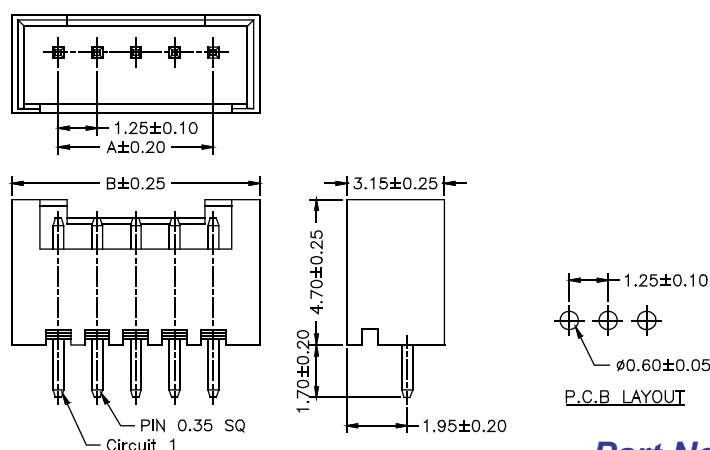
No. of Contacts	Dimensions		No. of Contacts	Dimensions	
	A	B		A	B
2	1.25	3.95	9	10.00	12.70
3	2.50	5.20	10	11.25	13.95
4	3.75	6.45	11	12.50	15.20
5	5.00	7.70	12	13.75	16.45
6	6.25	8.95	13	15.00	17.70
7	7.50	10.20	14	16.25	18.95
8	8.75	11.45	15	17.50	20.20

Part No.:1251H-XXR-L



No. of Contacts	Dimensions	
	A	B
2	1.25	4.25
3	2.50	5.50
4	3.75	6.75
5	5.00	8.00
6	6.25	9.25
7	7.50	10.50
8	8.75	11.75
9	10.00	13.00
10	11.25	14.25
11	12.50	15.50
12	13.75	16.75
13	15.00	18.00
14	16.25	19.25
15	17.50	20.50

Part No.:1251R-XXTR-L



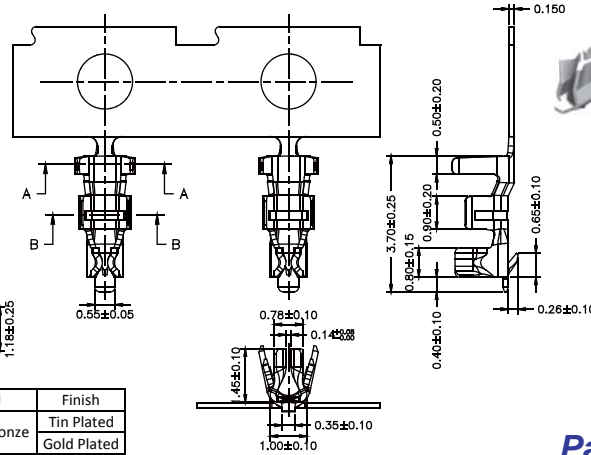
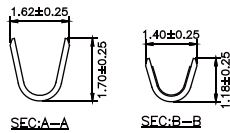
Part No.:1251S-XXTR-L

CONNECTORS MANUFACTURER



1.25mm Terminal / Housing / Wafer SMT Straight Type

Specifications
 Current Rating: 1A AC,DC
 Voltage Rating: 150V AC,DC
 Temperature Range: -25°C to +85°C
 Contact Resistance: 30mΩ Max
 Insulation Resistance: 500MΩ Min
 Withstanding Voltage: 500V AC/minute
 Terminal: Brass / Gold Plated
 Solder Tabs: Brass / Gold Plated
 Material:Housing: Nylon 66, UL94V-0
 Wafer: Nylon 6T, UL94V-0

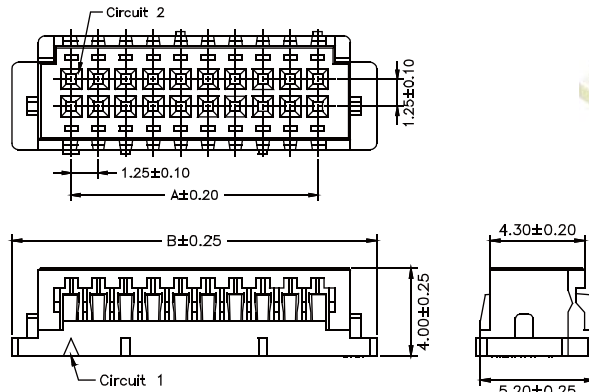


Part No.	Wire Range	Insulation O.D.	Material	Finish
1252-TTP-L	#26-#30	1.00mm(Max)	Phosphor Bronze	Tin Plated
1252-TGP-L				Gold Plated

Part No.:1252-T-L

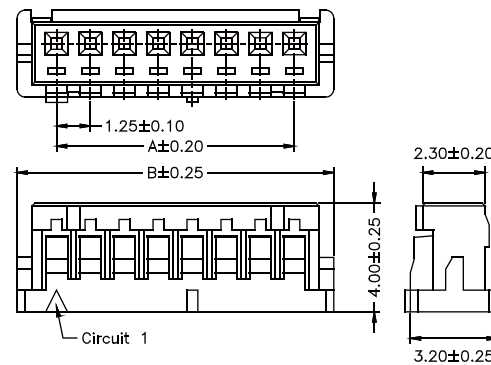
Housing Wafer Terminal

No. of Contacts	Dimensions	
	A	B
2x5	5.00	10.40
2x7	7.50	12.90
2x10	11.25	16.65
2x15	17.50	22.90
2x20	23.75	29.15



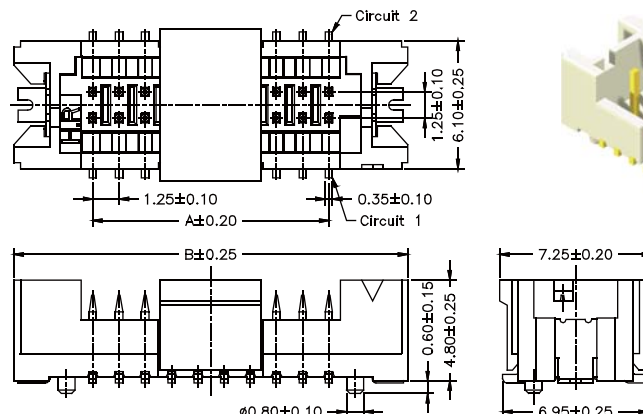
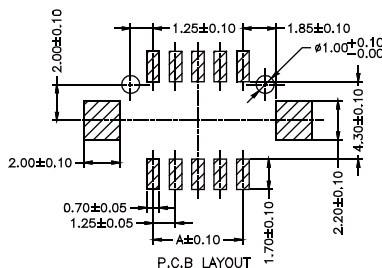
Part No.:1252H-2XXW-L

No. of Contacts	Dimensions		No. of Contacts	Dimensions	
	A	B		A	B
2	1.25	4.15	9	10.00	12.90
3	2.50	5.40	10	11.25	14.15
4	3.75	6.65	11	12.50	15.40
5	5.00	7.90	12	13.75	16.65
6	6.25	9.15	13	15.00	17.90
7	7.50	10.40	14	16.25	19.15
8	8.75	11.65	15	17.50	20.40



Part No.:1252H-1XXW-L

No. of Contacts	Dimensions	
	A	B
2x5	5.00	12.50
2x7	7.50	15.00
2x10	11.25	18.75
2x15	17.50	25.00
2x20	23.75	31.25



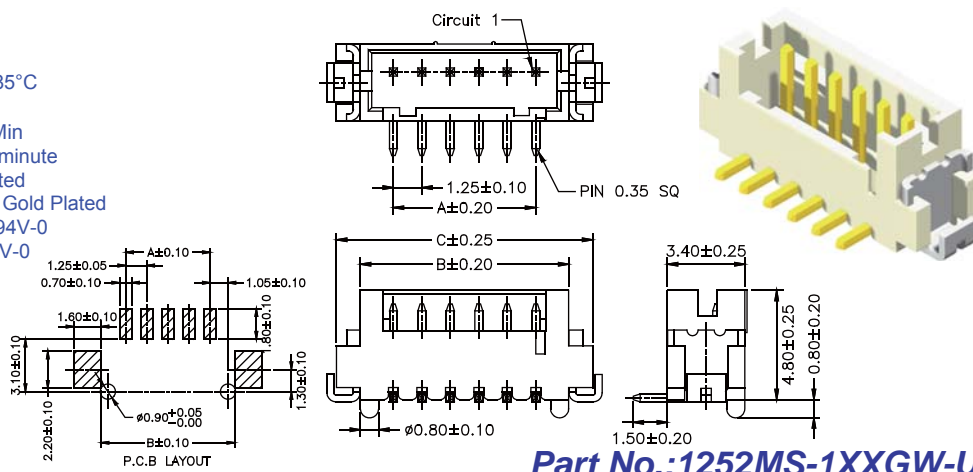
Part No.:1252MS-2XXGW-U

CONNECTOR MANUFACTURER

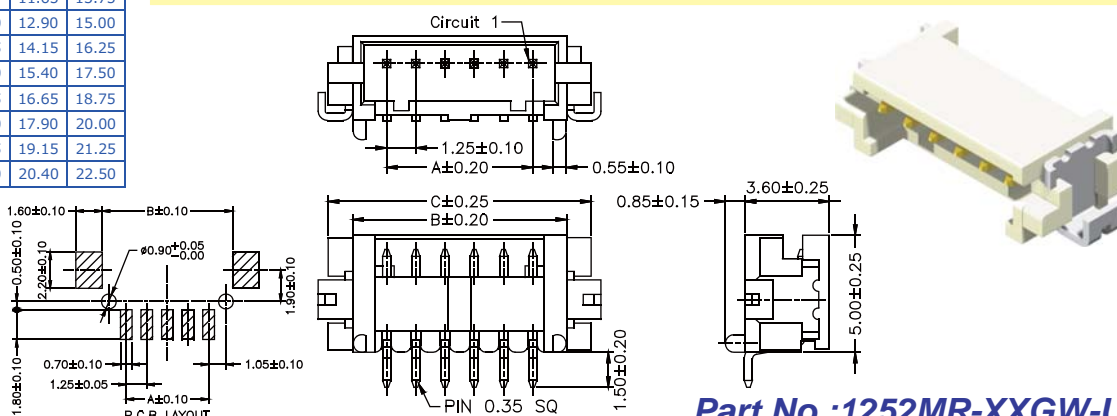
1.25mm Wafer SMT Straight / SMT R/A / Right Angle / Straight Type

Specifications
 Current Rating: 1A AC,DC
 Voltage Rating: 150V AC,DC
 Temperature Range: -25°C to +85°C
 Contact Resistance: 30mΩ Max
 Insulation Resistance: 500MΩ Min
 Withstanding Voltage: 500V AC/minute
 Terminal: Brass / Gold & Tin Plated
 Solder Tabs: Phosphor Bronze / Gold Plated
 Material: Housing: Nylon 66, UL94V-0
 Wafer: Nylon 6T, UL94V-0

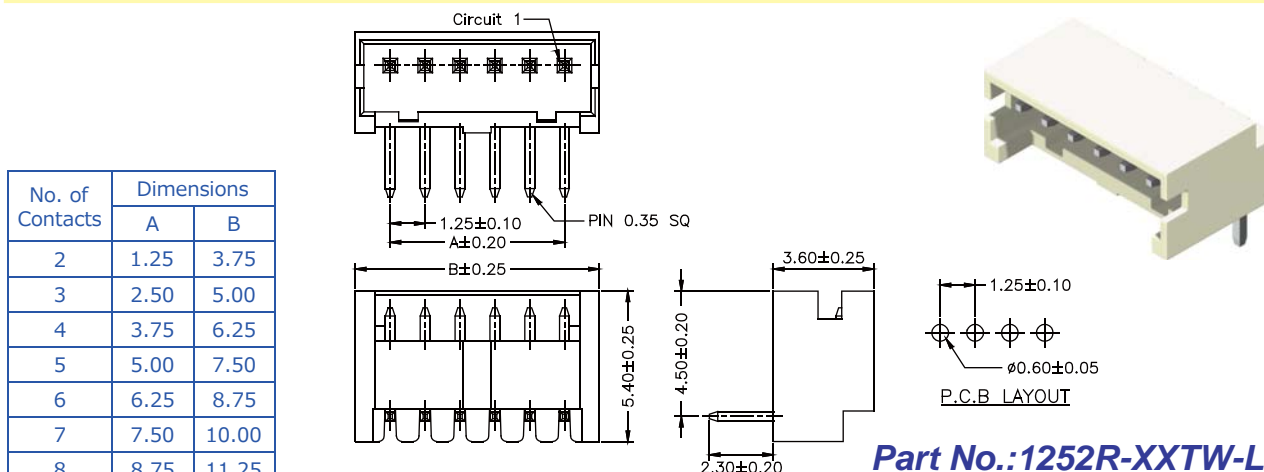
No. of Contacts	Dimensions		
	A	B	C
2	1.25	4.15	6.25
3	2.50	5.40	7.50
4	3.75	6.65	8.75
5	5.00	7.90	10.00
6	6.25	9.15	11.25
7	7.50	10.40	12.50
8	8.75	11.65	13.75
9	10.00	12.90	15.00
10	11.25	14.15	16.25
11	12.50	15.40	17.50
12	13.75	16.65	18.75
13	15.00	17.90	20.00
14	16.25	19.15	21.25
15	17.50	20.40	22.50



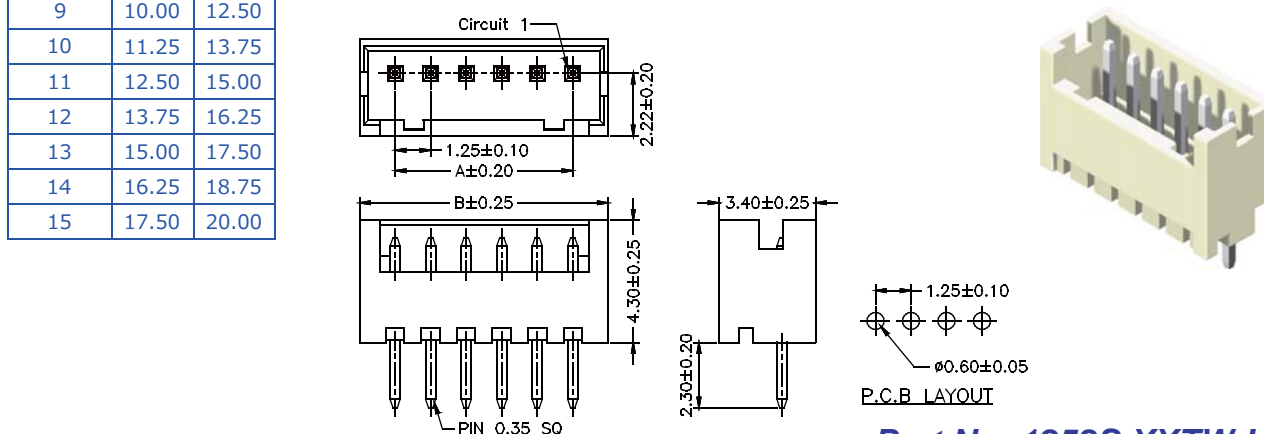
Part No.:1252MS-1XXGW-U



Part No.:1252MR-XXGW-U



Part No.:1252R-XXTW-L



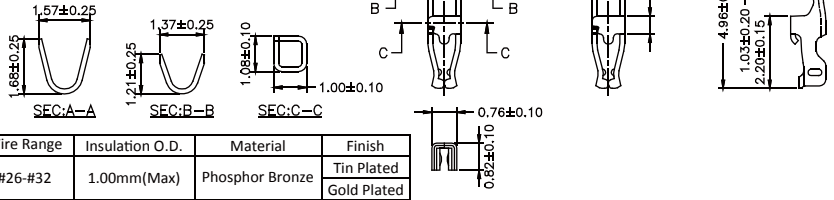
Part No.:1252S-XXTW-L

CONNECTORS MANUFACTURER



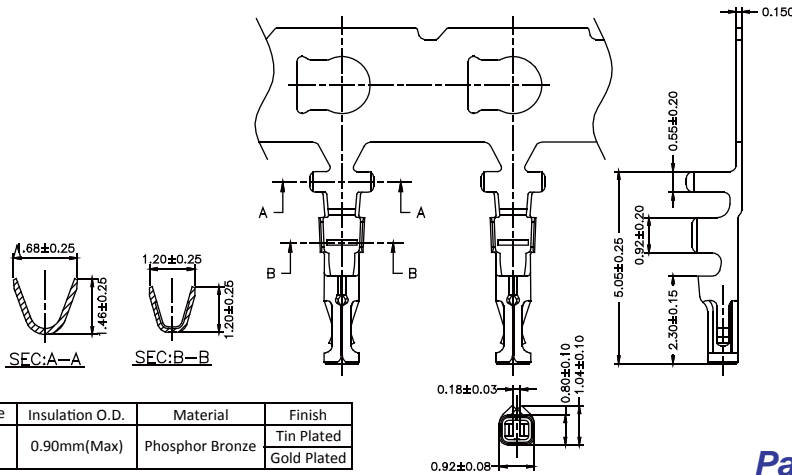
1.25mm Terminal / Housing

Specifications
 Current Rating: 1A AC,DC
 Voltage Rating: 150V AC,DC
 Temperature Range: -25°C to +85°C
 Contact Resistance: 30mΩ Max
 Insulation Resistance: 500MΩ Min
 Withstanding Voltage: 500V AC/minute
 Material:Nylon 66,UL94V-0



Part No.	Wire Range	Insulation O.D.	Material	Finish
1253-TTP-L	#26-#32	1.00mm(Max)	Phosphor Bronze	Tin Plated
1253-TGP-L	#26-#32	1.00mm(Max)	Phosphor Bronze	Gold Plated

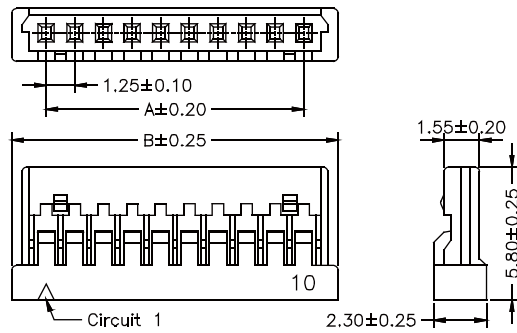
Part No.:1253-T-L



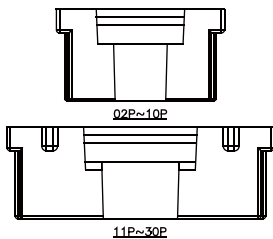
Part No.	Wire Range	Insulation O.D.	Material	Finish
1253-TTP-A-L	#28-#32	0.90mm(Max)	Phosphor Bronze	Tin Plated
1253-TGP-A-L	#28-#32	0.90mm(Max)	Phosphor Bronze	Gold Plated

Part No.:1253-T-A-L

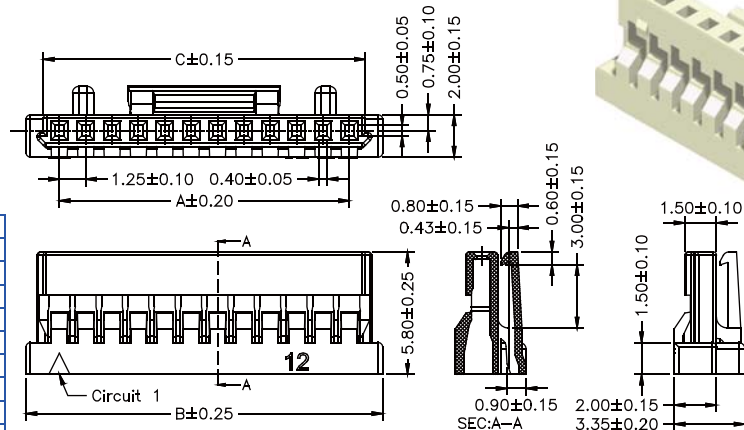
No. of Contacts	Dimensions		No. of Contacts	Dimensions	
	A	B		A	B
2	1.25	4.25	11	12.50	15.50
3	2.50	5.50	12	13.75	16.75
4	3.75	6.75	13	15.00	18.00
5	5.00	8.00	14	16.25	19.25
6	6.25	9.25	15	17.50	20.50
7	7.50	10.50	20	23.75	26.75
8	8.75	11.75	21	25.00	28.00
9	10.00	13.00	25	30.00	33.00
10	11.25	14.25	30	36.25	39.25



Part No.:1253H-1XXW-L



No. of Contacts	Dimensions			No. of Contacts	Dimensions		
	A	B	C		A	B	C
2	1.25	4.40	2.75	11	12.50	15.65	14.00
3	2.50	5.65	4.00	12	13.75	16.90	15.25
4	3.75	6.90	5.25	13	15.00	18.15	16.50
5	5.00	8.15	6.50	14	16.25	19.40	17.75
6	6.25	9.40	7.75	15	17.50	20.65	19.00
7	7.50	10.65	9.00	20	23.75	26.90	25.25
8	8.75	11.90	10.25	25	30.00	33.15	31.50
9	10.00	13.15	11.50	30	36.25	39.40	37.75
10	11.25	14.40	12.75				



Part No.:1253HA-XXW-L

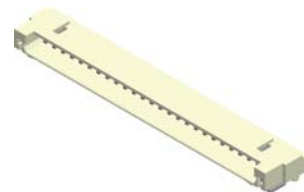
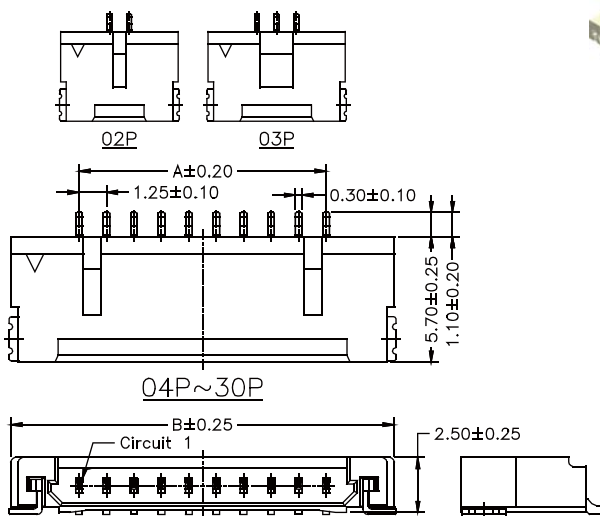
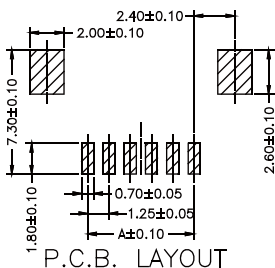
Housing Wafer Terminal



ROHS

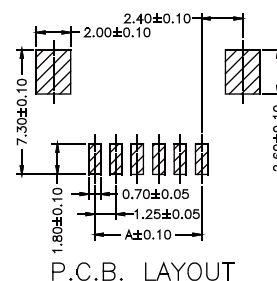
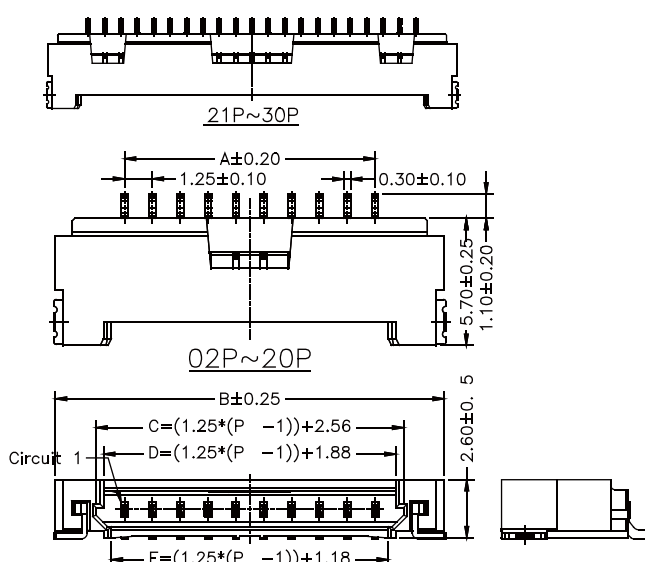
1.25mm Wafer SMT Right Angle / SMT Straight Type

Specifications
 Current Rating: 1A AC,DC
 Voltage Rating: 150V AC,DC
 Temperature Range: -25°C to +85°C
 Contact Resistance: 30mΩ Max
 Insulation Resistance: 500MΩ Min
 Withstanding Voltage: 500V AC/minute
 Terminal: Brass / Tin Plated
 Solder Tabs: Brass / Tin Plated
 Material: Nylon 6T, UL94V-0

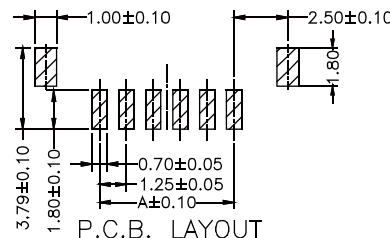
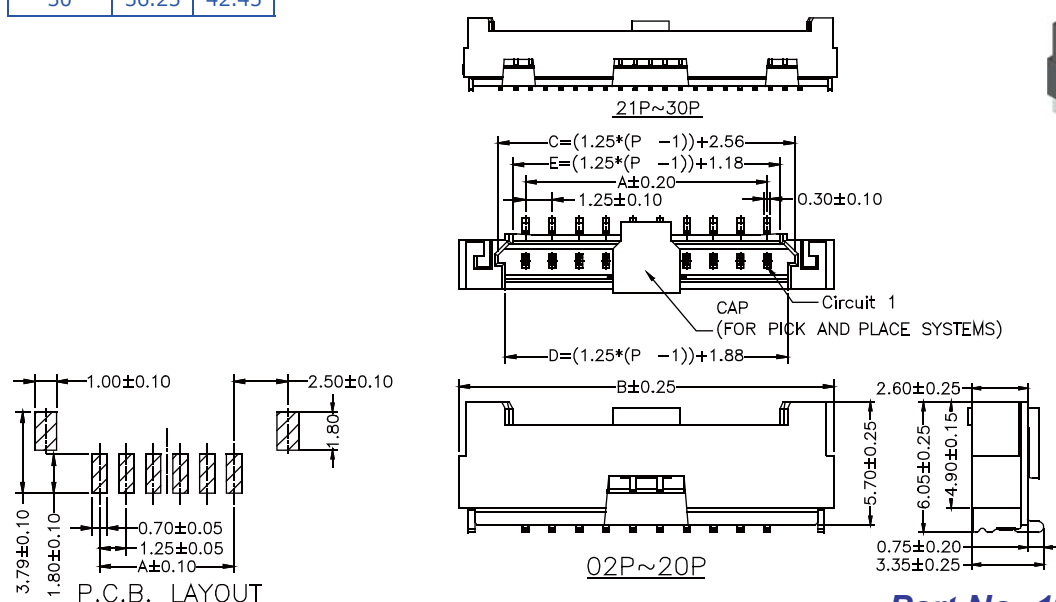


Part No.: 1253MR-XXTW-U

No. of Contacts	Dimensions	
	A	B
2	1.25	7.45
3	2.50	8.70
4	3.75	9.95
5	5.00	11.20
6	6.25	12.45
7	7.50	13.70
8	8.75	14.95
9	10.00	16.20
10	11.25	17.45
11	12.50	18.70
12	13.75	19.95
13	15.00	21.20
14	16.25	22.45
15	17.50	23.70
20	23.75	29.95
21	25.00	31.20
25	30.00	36.20
30	36.25	42.45



Part No.: 1253MRA-XXTB-U



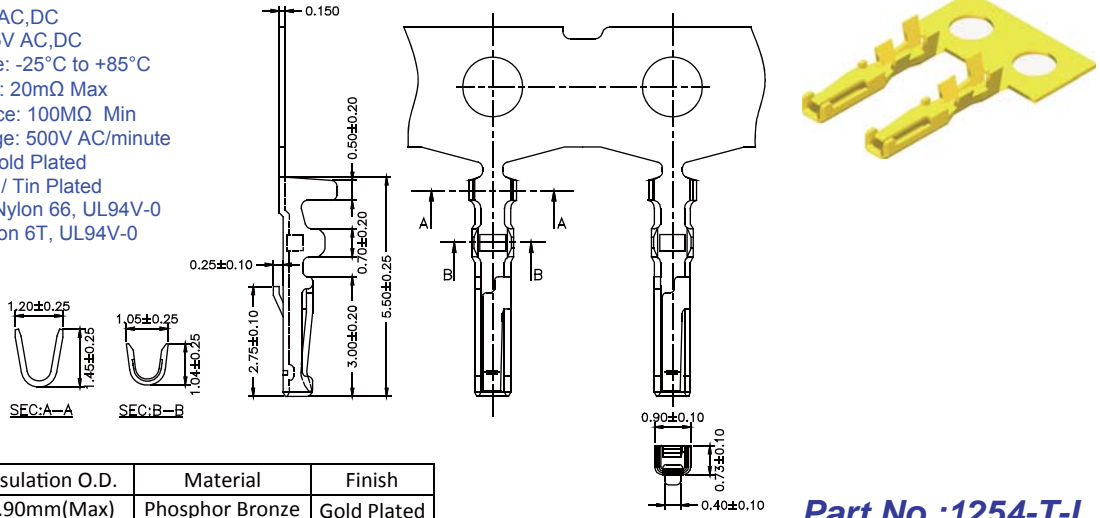
Part No.: 1253MS-XXTB-U

CONNECTORS MANUFACTURER



1.25mm Terminal / Housing / Wafer SMT Right Angle Type

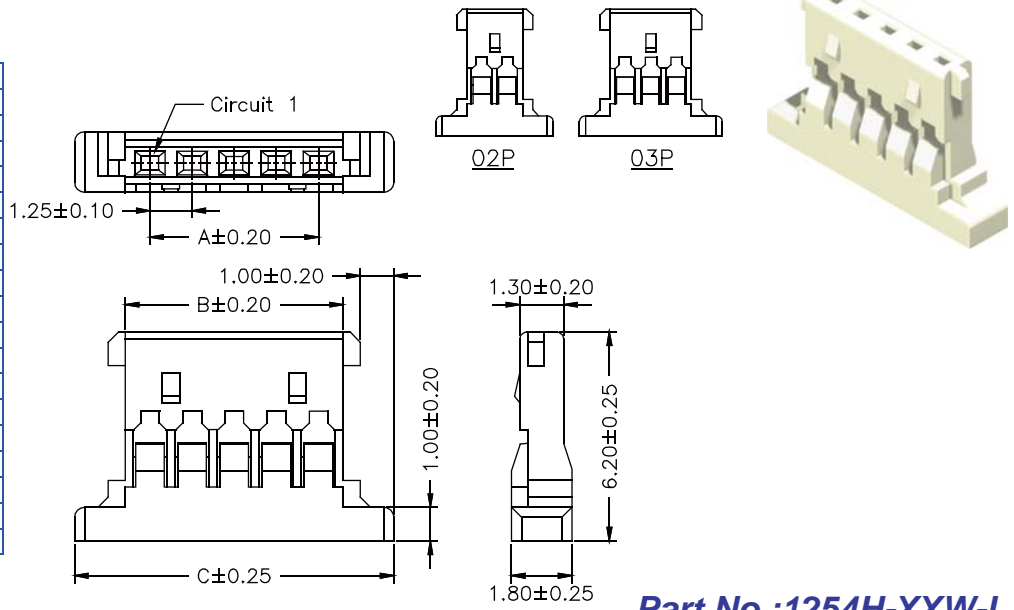
Specifications
 Current Rating: 1A AC,DC
 Voltage Rating: 125V AC,DC
 Temperature Range: -25°C to +85°C
 Contact Resistance: 20mΩ Max
 Insulation Resistance: 100MΩ Min
 Withstanding Voltage: 500V AC/minute
 Terminal: Brass / Gold Plated
 Solder Tabs: Brass / Tin Plated
 Material: Housing: Nylon 66, UL94V-0
 Wafer: Nylon 6T, UL94V-0



Part No.:1254-T-L

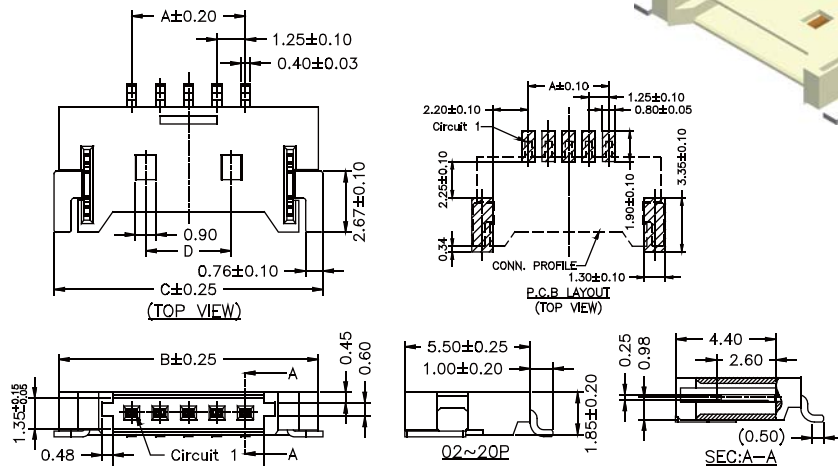
Wire Range	Insulation O.D.	Material	Finish
#28-#32	0.90mm(Max)	Phosphor Bronze	Gold Plated

No. of Contacts	Dimensions		
	A	B	C
2	1.25	2.72	5.72
3	2.50	3.97	6.97
4	3.75	5.22	8.22
5	5.00	6.47	9.47
6	6.25	7.72	10.72
7	7.50	8.97	11.97
8	8.75	10.22	13.22
9	10.00	11.47	14.47
10	11.25	12.72	15.72
11	12.50	13.97	16.97
12	13.75	15.22	18.22
13	15.00	16.47	19.47
14	16.25	17.72	20.72
15	17.50	18.97	21.97
16	18.75	20.22	23.22
20	23.75	25.22	28.22
30	36.25	37.72	40.72



Part No.:1254H-XXW-L

No. of Contacts	Dimensions				
	A	B	C	D	E
2	1.25	7.65	8.07	- - -	2.90
3	2.50	8.90	9.32	- - -	4.15
4	3.75	10.15	10.57	2.50	5.40
5	5.00	11.40	11.82	3.75	6.65
6	6.25	12.65	13.07	5.00	7.90
7	7.50	13.90	14.32	6.25	9.15
8	8.75	15.15	15.57	7.50	10.40
9	10.00	16.40	16.82	8.75	11.65
10	11.25	17.65	18.07	10.00	12.90
11	12.50	18.90	19.32	11.25	14.15
12	13.75	20.15	20.57	12.50	15.40
13	15.00	21.40	21.82	13.75	16.65
14	16.25	22.65	23.07	15.00	17.90
15	17.50	23.90	24.32	16.25	19.15
16	18.75	25.15	25.57	17.50	20.40
20	23.75	30.15	30.57	22.50	25.40
30	36.25	42.65	43.07	22.50	37.90



Part No.:1254MR-XXGW-U

Housing Wafer Terminal

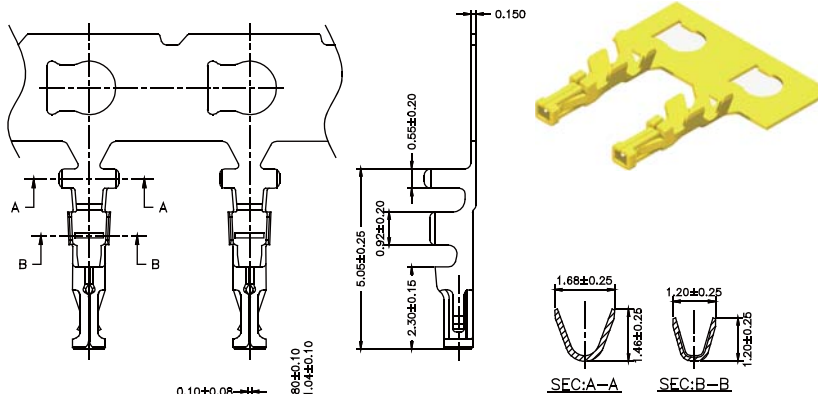


ROHS

1.25mm Terminal / Housing / Wafer SMT Right Angle Type

Specifications

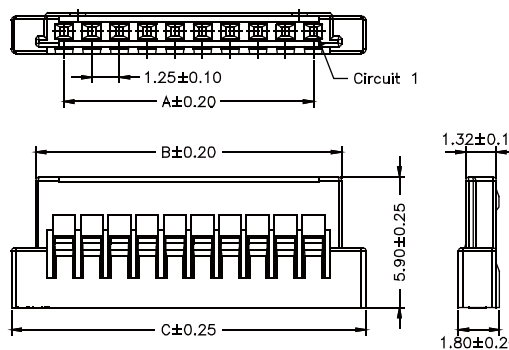
Current Rating: 1A AC,DC
 Voltage Rating: 200V AC,DC
 Temperature Range: -25°C to +85°C
 Contact Resistance: 40mΩ Max
 Insulation Resistance: 100MΩ Min
 Withstanding Voltage: 500V AC/minute
 Terminal: Brass & Ph.Br / Gold & Tin Plated
 Solder Tabs: Phosphor Bronze / Gold Plated
 Shell: Brass / Tin Plated
 Material: Housing: Nylon 66, UL94V-0
 Wafer: 1255MR: Nylon 6T, UL94V-0
 1255MRA: LCP, UL94V-0



Part No.	Wire Range	Insulation O.D.	Material	Finish
1255-TTP-L	#28-#32	0.90mm(Max)	Phosphor Bronze	Tin Plated
1255-TGP-L				Gold Plated

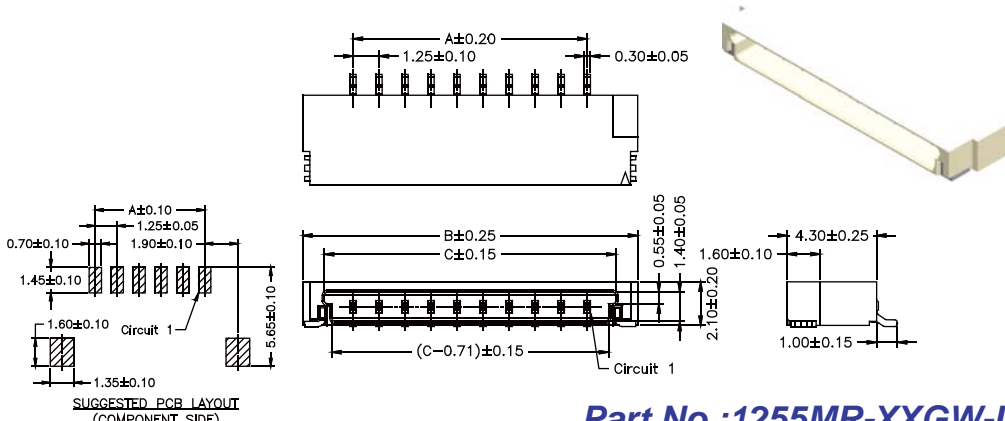
Part No.:1255-T-L

No. of Contacts	Dimensions		
	A	B	C
2	1.25	3.80	6.00
3	2.50	5.05	7.25
4	3.75	6.30	8.50
5	5.00	7.55	9.75
6	6.25	8.80	11.00
7	7.50	10.05	12.25
8	8.75	11.30	13.50
9	10.00	12.55	14.75
10	11.25	13.80	16.00
11	12.50	15.05	17.25
12	13.75	16.30	18.50
13	15.00	17.55	19.75
14	16.25	18.80	21.00
15	17.50	20.05	22.25
20	23.75	26.30	28.50
25	30.00	32.55	34.75
30	36.25	38.80	41.00



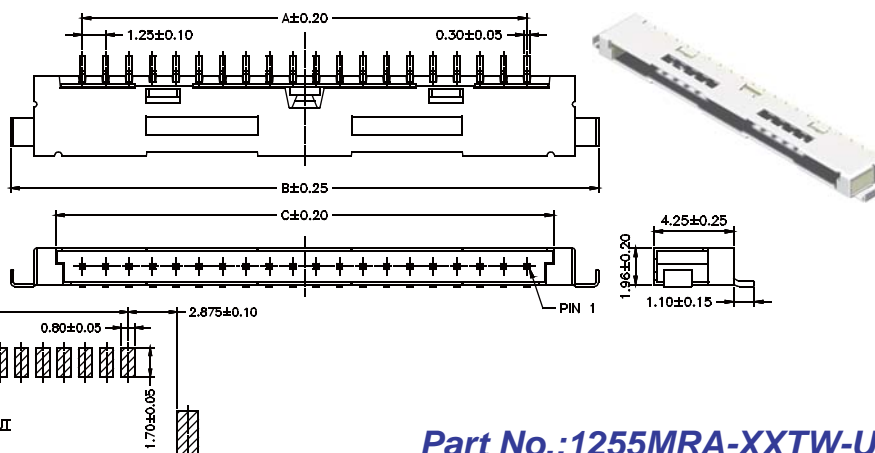
Part No.:1255H-XXB-L

No. of Contacts	Dimensions		
	A	B	C
2	1.25	6.10	4.01
3	2.50	7.35	5.26
4	3.75	8.60	6.51
5	5.00	9.85	7.76
6	6.25	11.10	9.01
7	7.50	12.35	10.26
8	8.75	13.60	11.51
9	10.00	14.85	12.76
10	11.25	16.10	14.01
11	12.50	17.35	15.26
12	13.75	18.60	16.51
13	15.00	19.85	17.76
14	16.25	21.10	19.01
15	17.50	22.35	20.26
20	23.75	28.60	26.51
25	30.00	34.85	32.76
30	36.25	41.10	39.01



Part No.:1255MR-XXGW-U

No. of Contacts	Dimensions		
	A	B	C
20	23.75	31.40	26.60
30	36.25	43.90	39.10



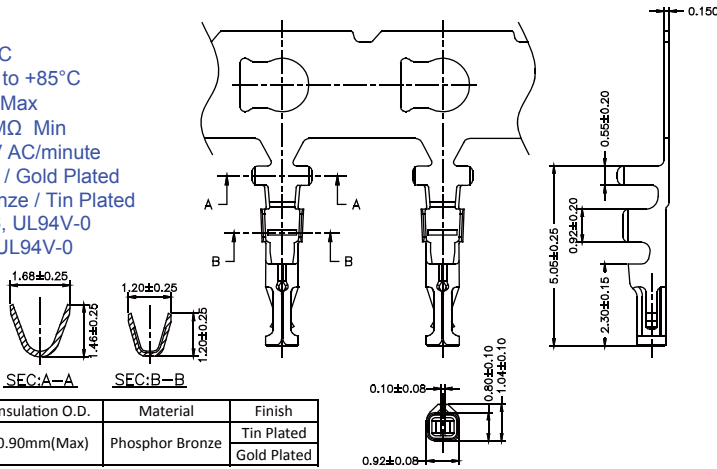
Part No.:1255MRA-XXTW-U

CONNECTORS MANUFACTURER



1.25mm Terminal / Housing / Wafer SMT Straight / SMT R/A Type

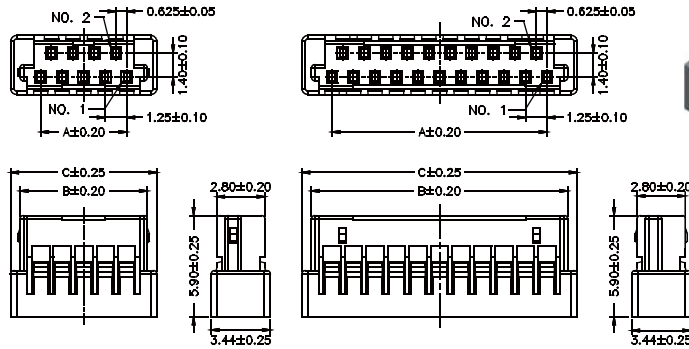
Specifications
 Current Rating: 1A AC,DC
 Voltage Rating: 200V AC,DC
 Temperature Range: -25°C to +85°C
 Contact Resistance: 40mΩ Max
 Insulation Resistance: 100MΩ Min
 Withstanding Voltage: 500V AC/minute
 Terminal: Phosphor Bronze / Gold Plated
 Solder Tabs: Phosphor Bronze / Tin Plated
 Material: Housing: Nylon 66, UL94V-0
 Wafer: Nylon 6T, UL94V-0



Part No.	Wire Range	Insulation O.D.	Material	Finish
1255-TTP-L	#28-#32	0.90mm(Max)	Phosphor Bronze	Tin Plated
1255-TGP-L				Gold Plated

Part No.:1255-T-L

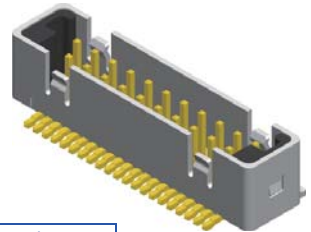
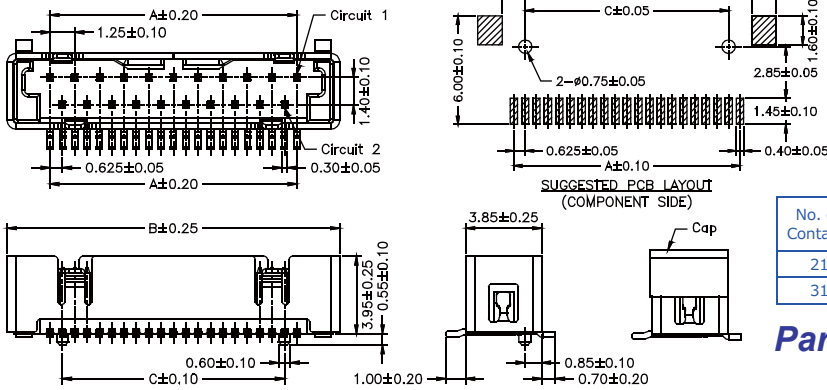
No. of Contacts	Dimensions		
	A	B	C
5	2.50	4.90	6.00
7	3.75	6.15	7.25
9	5.00	7.40	8.50
11	6.25	8.65	9.75
13	7.50	9.90	11.00
15	8.75	11.15	12.25
17	10.00	12.40	13.50
19	11.25	13.65	14.75
21	12.50	14.90	16.00
31	18.75	21.15	22.25
41	25.00	27.40	28.50



5,7,9,11 Contacts

13,15,17,19,21,31,41 Contacts

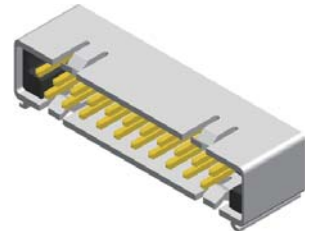
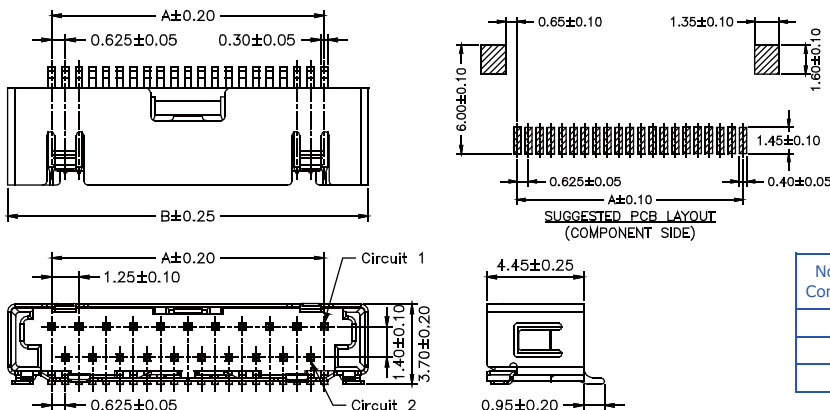
Part No.:1256H-XXB-L



No. of Contacts	Dimensions		
	A	B	C
21	12.50	16.85	11.25
31	18.75	23.10	17.50

Part No.:1256MS-XXGB-U

1:WITH Post
2:W/O Post



No. of Contacts	Dimensions	
	A	B
21	12.50	16.55
31	18.75	22.80
41	25.00	29.05

Part No.:1256MR-XXGB-U

Housing Wafer Terminal

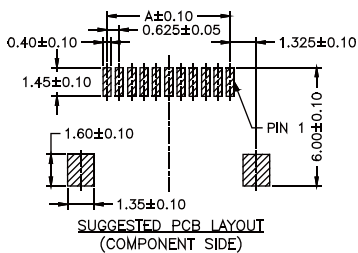
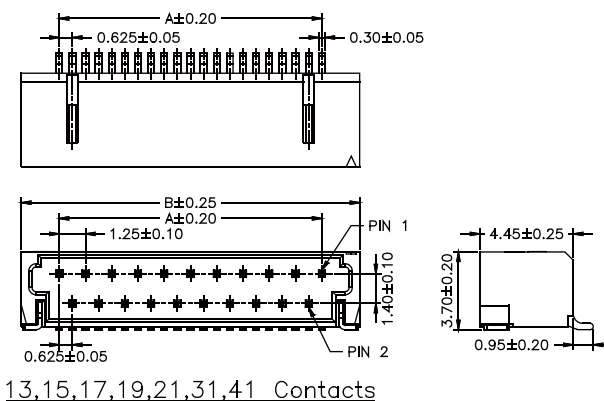
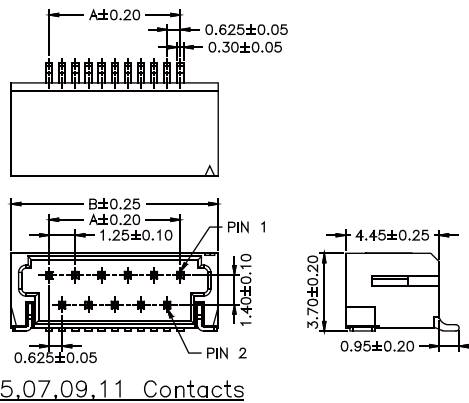


RoHS

1.25mm Wafer SMT Right Angle Type

Specifications
 Current Rating: 1A AC,DC
 Voltage Rating: 200V AC,DC
 Temperature Range: -25°C to +85°C
 Contact Resistance: 40mΩ Max
 Insulation Resistance: 100MΩ Min
 Withstanding Voltage: 500V AC/minute
 Terminal: Phosphor Bronze / Gold Plated
 Solder Tabs: Phosphor Bronze / Tin Plated
 Material: Nylon 6T,UL94V-0

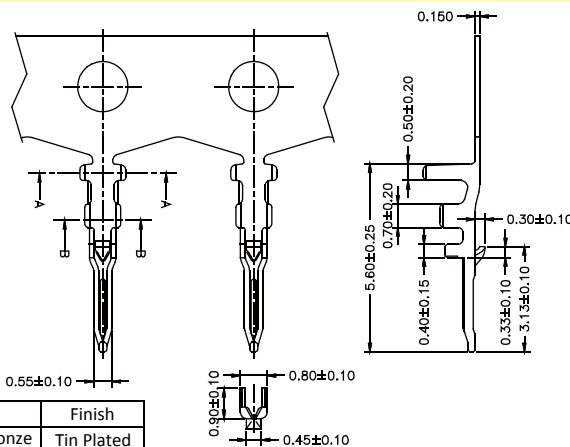
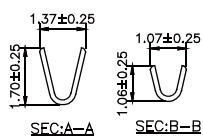
No. of Contacts	Dimensions	
	A	B
5	2.50	6.10
7	3.75	7.35
9	5.00	8.60
11	6.25	9.85
13	7.50	11.10
15	8.75	12.35
17	10.00	13.60
19	11.25	14.85
21	12.50	16.10
31	18.75	22.35
41	25.00	28.60



Part No.:1256MRA-XXGB-U

1.25mm Terminal / Housing

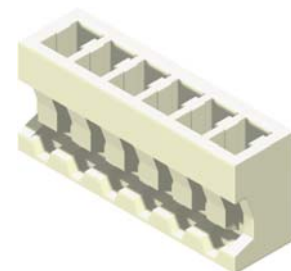
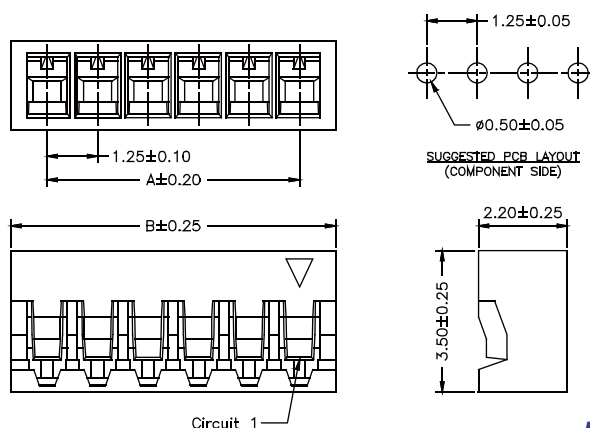
Specifications
 Current Rating: 1A AC,DC
 Voltage Rating: 125V AC,DC
 Temperature Range: -25°C to +85°C
 Contact Resistance: 20mΩ Max
 Insulation Resistance: 100MΩ Min
 Withstanding Voltage: 500V AC/minute
 Material: Nylon 66, UL94V-0



Wire Range	Insulation O.D.	Material	Finish
#28-#32	1.00mm(Max)	Phosphor Bronze	Tin Plated

Part No.:1257-T-L

No. of Contacts	Dimensions	
	A	B
2	1.25	3.05
3	2.50	4.30
4	3.75	5.55
5	5.00	6.80
6	6.25	8.05
7	7.50	9.30
8	8.75	10.55
9	10.00	11.80
10	11.25	13.05
11	12.50	14.30
12	13.75	15.55
13	15.00	16.80
14	16.25	18.05
15	17.50	19.30



Part No.:1257H-XXW-L

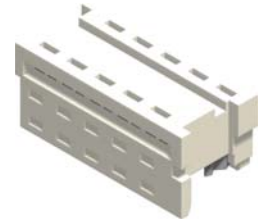
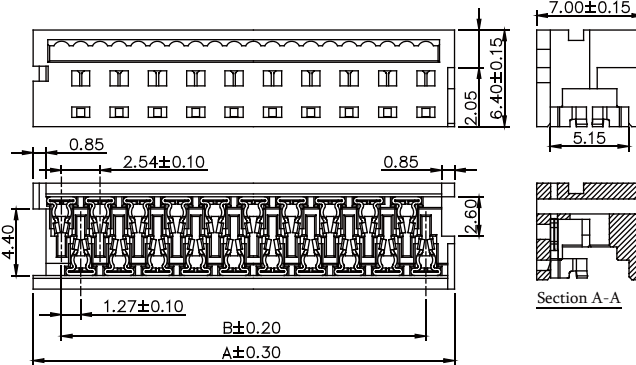
CONNECTORS MANUFACTURER



1.27mm Housing IDC / Wafer SMT Straight & R/A & Straight Type

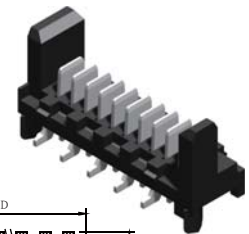
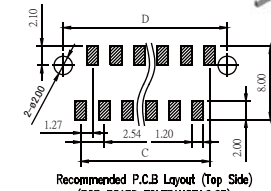
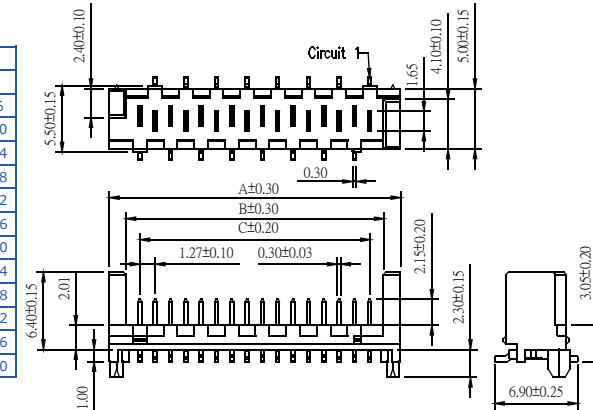
Specifications
 Current Rating: 2.4A AC,DC
 Temperature Range: -40°C to +105°C
 Contact Resistance: 20mΩ Max
 Insulation Resistance: 1000Ω Min
 Withstanding Voltage: 500V AC/minute
 Terminal: Brass / Tin Plated
 Material:P.B.T & Nylon 6T,UL94V-0

No. of Contacts	Dimensions		No. of Contacts	Dimensions	
	A	B		A	B
4	7.59	3.81	16	22.83	19.05
6	10.13	6.35	18	25.37	21.59
8	12.67	8.89	20	27.91	24.13
10	15.21	11.43	22	30.45	26.67
12	17.75	13.97	24	32.99	29.21
14	20.29	16.51	26	35.53	31.75



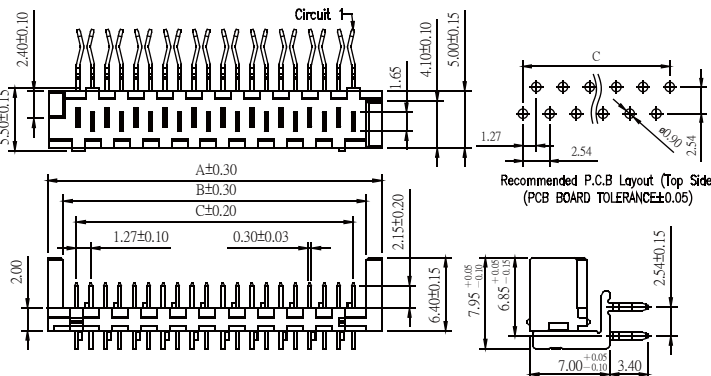
Part No.:1271IDC-XXTW-L

No. of Contacts	Dimensions			
	A	B	C	D
4	8.86	6.11	3.81	7.66
6	11.40	8.65	6.35	10.20
8	13.94	11.19	8.89	12.74
10	16.48	13.73	11.43	15.28
12	19.02	16.27	13.97	17.82
14	21.56	18.81	16.51	20.36
16	24.10	21.35	19.05	22.90
18	26.64	23.89	21.59	25.44
20	29.18	26.43	24.13	27.98
22	31.72	28.97	26.67	30.52
24	34.26	31.51	29.21	33.06
26	36.80	34.05	31.75	35.60

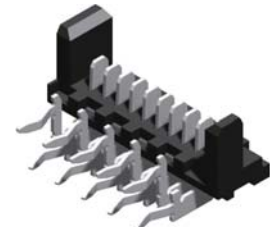


Part No.:1271MS-XXTB-U

No. of Contacts	Dimensions		
	A	B	C
4	8.86	6.11	3.81
6	11.40	8.65	6.35
8	13.94	11.19	8.89
10	16.48	13.73	11.43
12	19.02	16.27	13.97
14	21.56	18.81	16.51
16	24.10	21.35	19.05
18	26.64	23.89	21.59
20	29.18	26.43	24.13
22	31.72	28.97	26.67
24	34.26	31.51	29.21
26	36.80	34.05	31.75

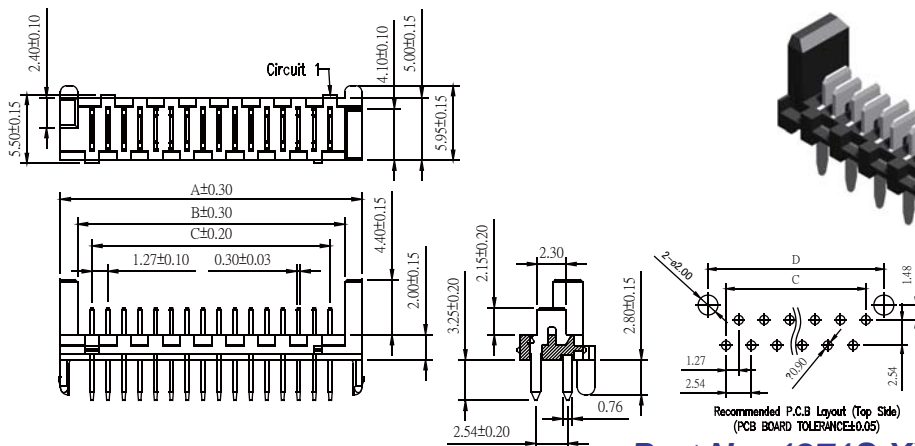


Recommended P.C.B Layout (Top Side) (PCB BOARD TOLERANCE±0.05)

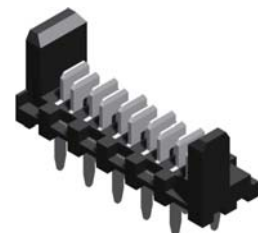


Part No.:1271R-XXTB-U

No. of Contacts	Dimensions			
	A	B	C	D
4	8.86	6.11	3.81	7.41
6	11.40	8.65	6.35	9.95
8	13.94	11.19	8.89	12.49
10	16.48	13.73	11.43	15.03
12	19.02	16.27	13.97	17.57
14	21.56	18.81	16.51	20.11
16	24.10	21.35	19.05	22.65
18	26.64	23.89	21.59	25.19
20	29.18	26.43	24.13	27.73
22	31.72	28.97	26.67	30.27
24	34.26	31.51	29.21	32.81
26	36.80	34.05	31.75	35.35



Recommended P.C.B Layout (Top Side) (PCB BOARD TOLERANCE±0.05)



Part No.:1271S-XXTB-U

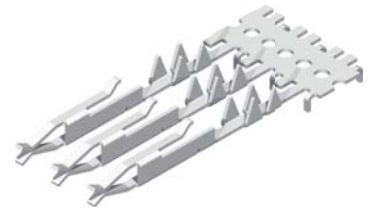
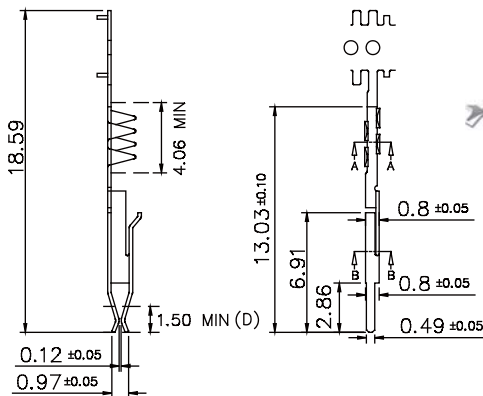
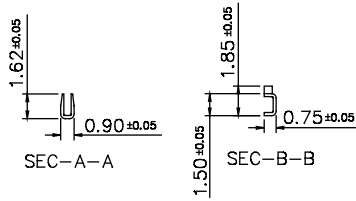
Housing Wafer Terminal



ROHS

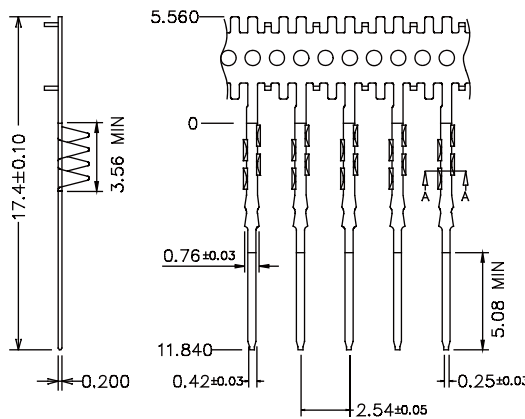
1.27mm Female & Male Terminal / Housing

Specifications
 Current Rating: 2A AC,DC
 Voltage Rating: 250V AC,DC
 Temperature Range: -25°C to +85°C
 Insulation Resistance: 1000MΩ Min
 Material:Nylon 66,UL94V-0



Material	Finish
Phosphor Borzne	Tin Plated

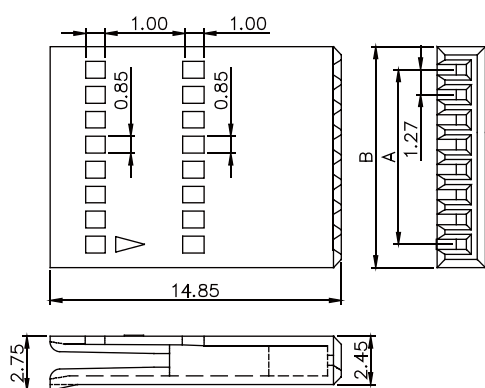
Part No.:1272-FT-L



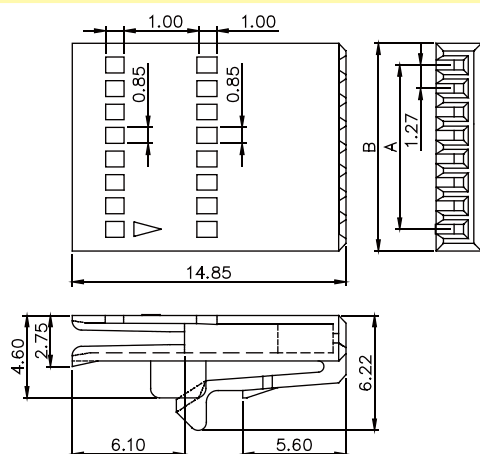
Material	Finish
Phosphor Borzne	Tin Plated

Part No.:1272-MT-L

No. of Contacts	Dimensions	
	A	B
2	1.27	3.61
3	2.54	4.88
4	3.81	6.15
5	5.08	7.42
6	6.35	8.69
7	7.62	9.96
8	8.89	11.23
9	10.16	12.50
10	11.43	13.77
11	12.70	15.04
12	13.97	16.31
13	15.24	17.58
14	16.51	18.85
15	17.78	20.12
16	19.05	21.39
17	20.32	22.66
18	21.59	23.93
19	22.86	25.20
20	24.13	26.47
21	25.40	27.74
22	26.67	29.01
23	27.94	30.28
24	29.21	31.55
25	30.48	32.82
26	31.75	34.09
27	33.02	35.36
28	34.29	36.63
29	35.56	37.90
30	36.83	39.17



Part No.:1272H-XXBA-L



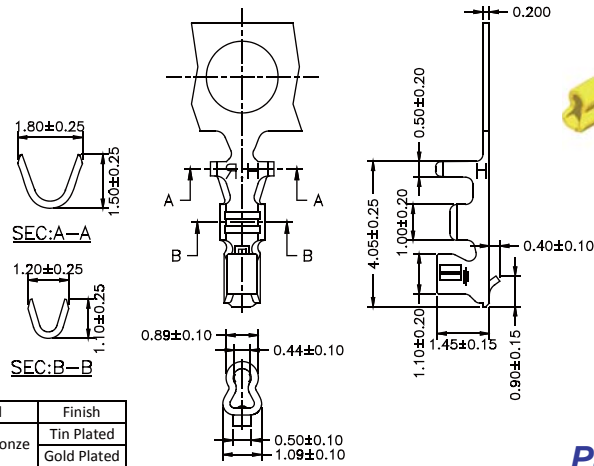
Part No.:1272H-XXBB-L

CONNECTORS MANUFACTURER



1.5mm Terminal / Housing / Wafer SMT Straight / SMT R/A Type

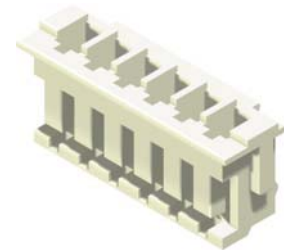
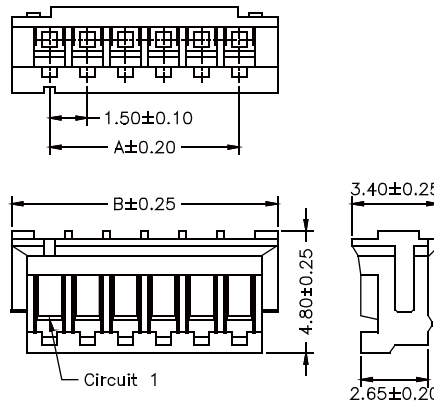
Specifications
 Current Rating: 1A AC,DC
 Voltage Rating: 100V AC,DC
 Temperature Range: -25°C to +85°C
 Contact Resistance: 20mΩ Max
 Insulation Resistance: 500MΩ Min
 Withstanding Voltage: 500V AC/minute
 Terminal: Brass / Gold Plated
 Solder Tabs: Brass / Gold Plated
 Material: Housing: Nylon 66, UL94V-0
 Wafer: Nylon 6T, UL94V-0



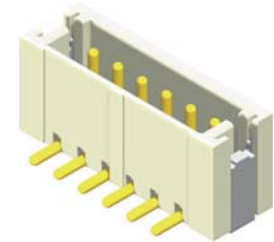
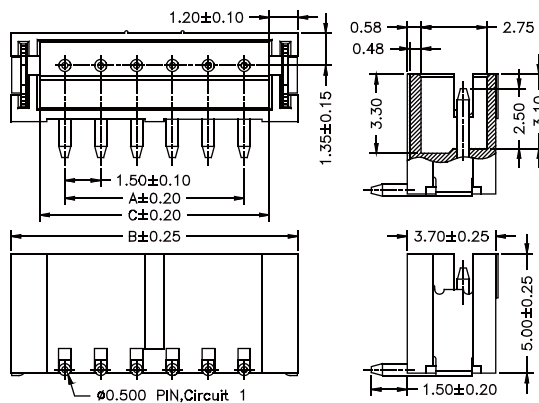
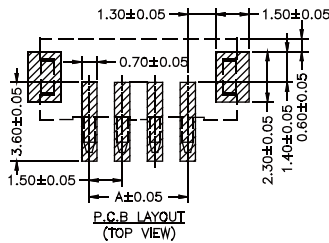
Part No.	Wire Range	Insulation O.D.	Material	Finish
1500-TTP-L	#26-#32	1.10mm(Max)	Phosphor Bronze	Tin Plated
1500-TGP-L				Gold Plated

Part No.:1500-T-L

No. of Contacts	Dimensions	
	A	B
2	1.50	4.50
3	3.00	6.00
4	4.50	7.50
5	6.00	9.00
6	7.50	10.50
7	9.00	12.00
8	10.50	13.50
9	12.00	15.00
10	13.50	16.50
11	15.00	18.00
12	16.50	19.50
13	18.00	21.00

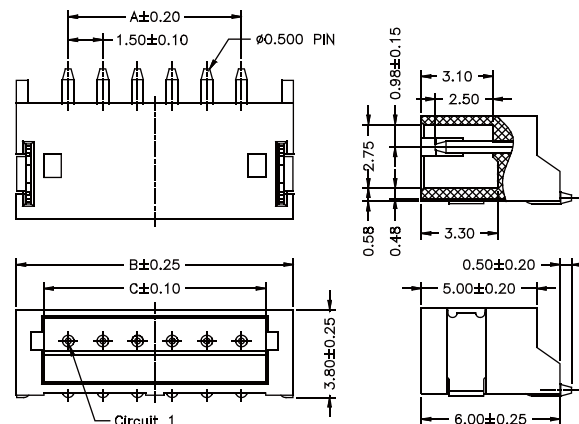


Part No.:1500H-XXW-L

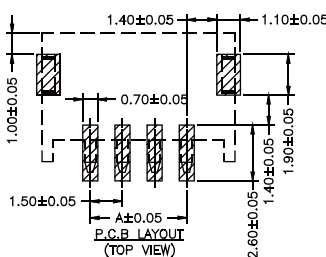


Part No.:1500MS-XXGW-U

No. of Contacts	Dimensions		
	A	B	C
2	1.50	6.00	3.60
3	3.00	7.50	5.10
4	4.50	9.00	6.60
5	6.00	10.50	8.10
6	7.50	12.00	9.60
7	9.00	13.50	11.10
8	10.50	15.00	12.60
9	12.00	16.50	14.10
10	13.50	18.00	15.60
11	15.00	19.50	17.10
12	16.50	21.00	18.60
13	18.00	22.50	20.10



Part No.:1500MR-XXGW-U



Housing Wafer Terminal

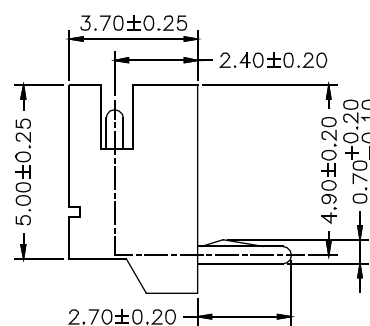
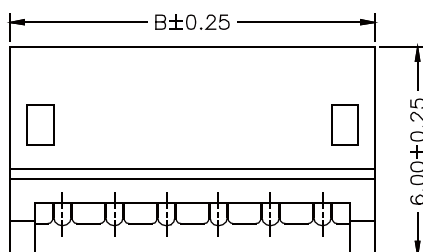
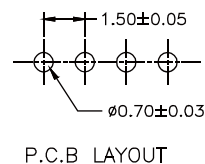
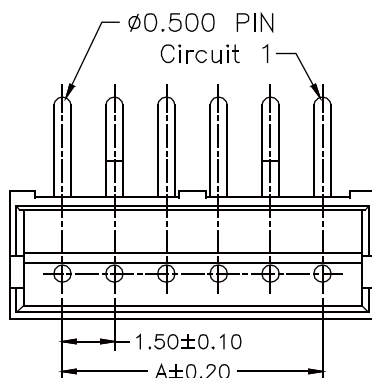
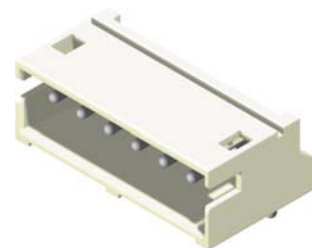


ROHS

CONNECTOR MANUFACTURER

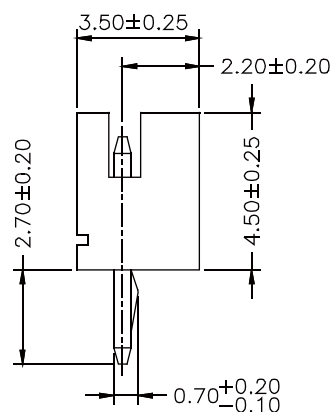
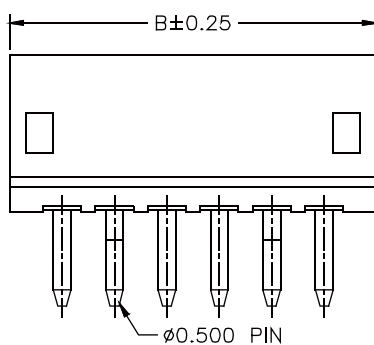
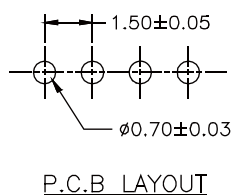
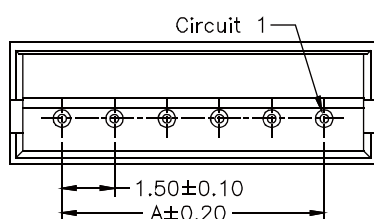
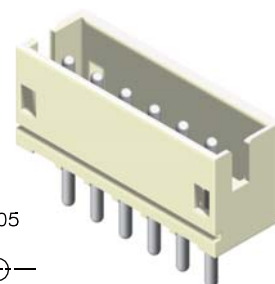
1.5mm Wafer Right Angle / Straight Type

Specifications
 Current Rating: 1A AC,DC
 Voltage Rating: 100V AC,DC
 Temperature Range: -25°C to +85°C
 Contact Resistance: 20mΩ Max
 Insulation Resistance: 500MΩ Min
 Withstanding Voltage: 500V AC/minute
 Terminal: Brass / Tin Plated
 Material: Nylon 66, UL94V-0



No. of Contacts	Dimensions	
	A	B
2	1.50	4.50
3	3.00	6.00
4	4.50	7.50
5	6.00	9.00
6	7.50	10.50
7	9.00	12.00
8	10.50	13.50
9	12.00	15.00
10	13.50	16.50
11	15.00	18.00
12	16.50	19.50
13	18.00	21.00

Part No.: 1500R-XXTW-L



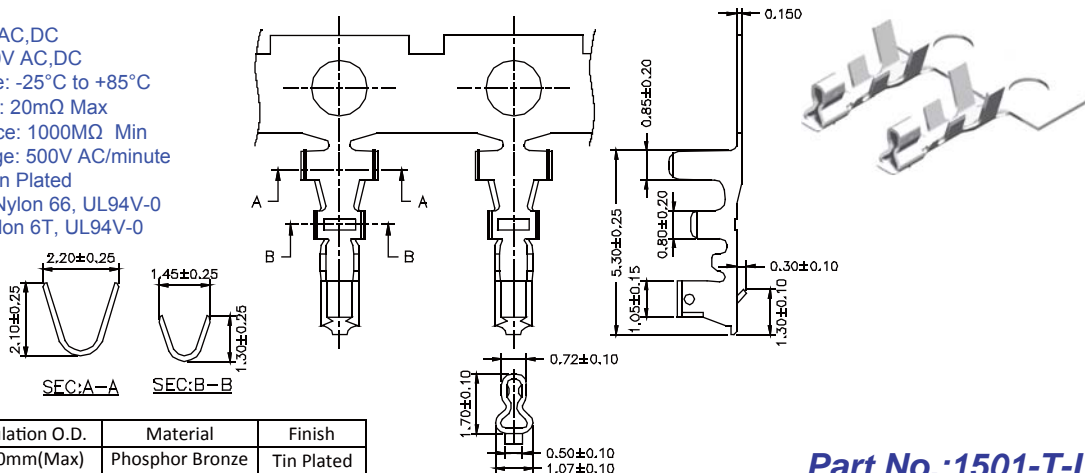
Part No.: 1500S-XXTW-L

CONNECTORS MANUFACTURER



1.5mm Terminal / Housing / Wafer SMT Straight / SMT R/A Type

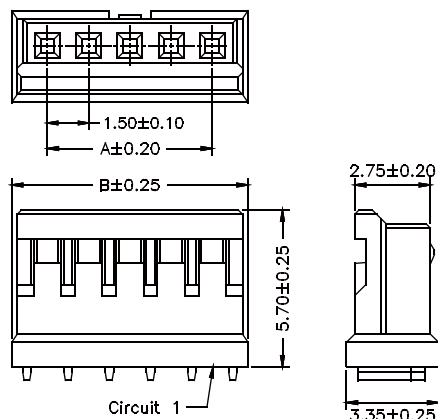
Specifications
 Current Rating: 3A AC,DC
 Voltage Rating: 350V AC,DC
 Temperature Range: -25°C to +85°C
 Contact Resistance: 20mΩ Max
 Insulation Resistance: 1000MΩ Min
 Withstanding Voltage: 500V AC/minute
 Terminal: Brass / Tin Plated
 Material: Housing: Nylon 66, UL94V-0
 Wafer: Nylon 6T, UL94V-0



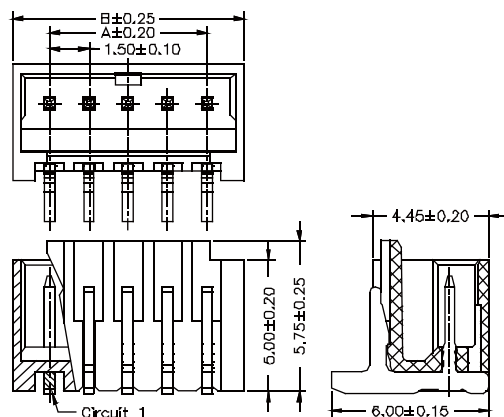
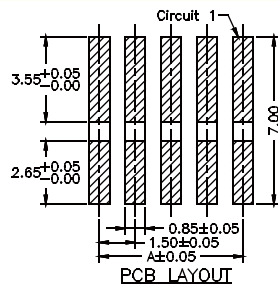
Wire Range	Insulation O.D.	Material	Finish
#24-#28	1.10mm(Max)	Phosphor Bronze	Tin Plated

Part No.:1501-T-L

No. of Contacts	Dimensions	
	A	B
2	1.50	4.10
3	3.00	5.60
4	4.50	7.10
5	6.00	8.60
6	7.50	10.10
7	9.00	11.60
8	10.50	13.10
9	12.00	14.60
10	13.50	16.10
11	15.00	17.60
12	16.50	19.10
13	18.00	20.60
14	19.50	22.10
15	21.00	23.60

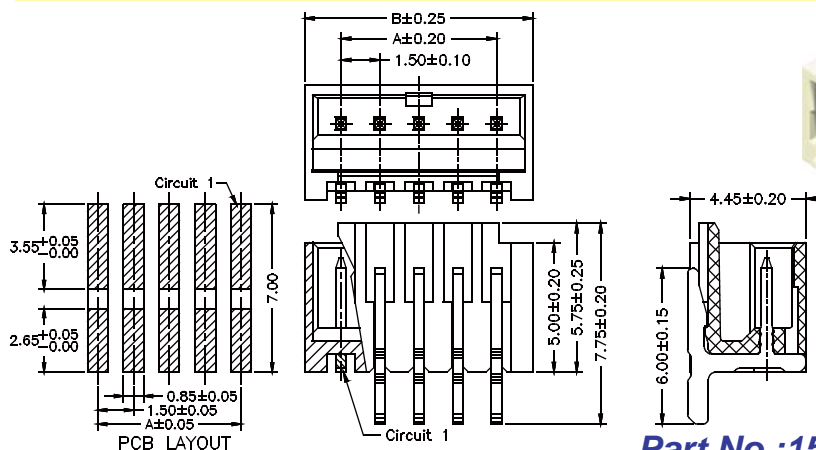


Part No.:1501H-XXW-L



Part No.:1501MS-XXTW-U

No. of Contacts	Dimensions	
	A	B
2	1.50	4.30
3	3.00	5.80
4	4.50	7.30
5	6.00	8.80
6	7.50	10.30
7	9.00	11.80
8	10.50	13.30
9	12.00	14.80
10	13.50	16.30
11	15.00	17.80
12	16.50	19.30
13	18.00	20.80
14	19.50	22.30
15	21.00	23.80



Part No.:1501MR-XXTW-U

Housing Wafer Terminal

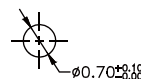
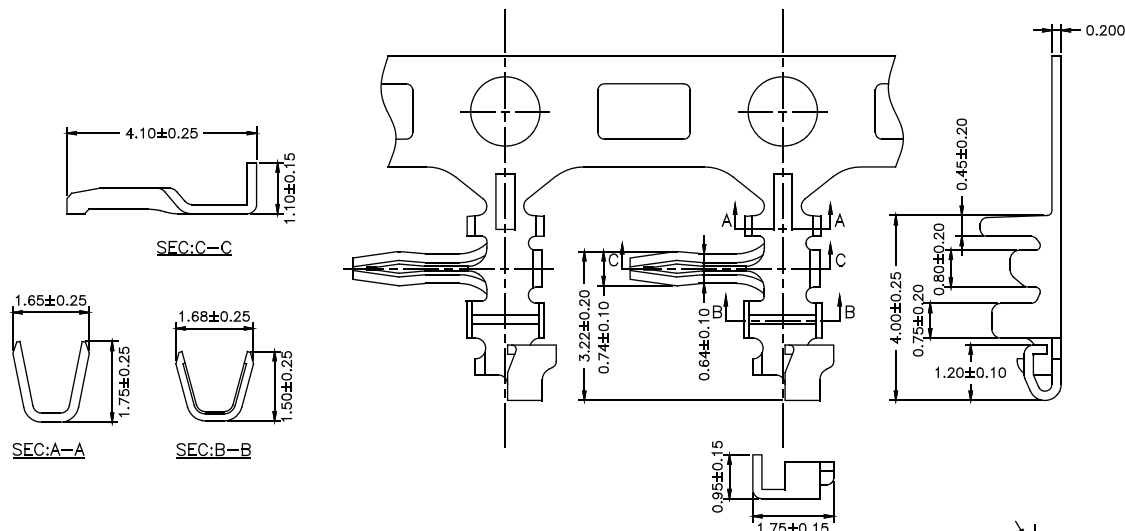


ROHS

1.5mm Terminal / Housing

Specifications

Current Rating: 1A AC,DC
 Voltage Rating: 200V AC,DC
 Temperature Range: -25°C to +85°C
 Contact Resistance: 20mΩ Max
 Insulation Resistance: 500MΩ Min
 Withstanding Voltage: 500V AC/minute
 Material: Nylon 66, UL94V-0

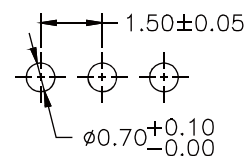
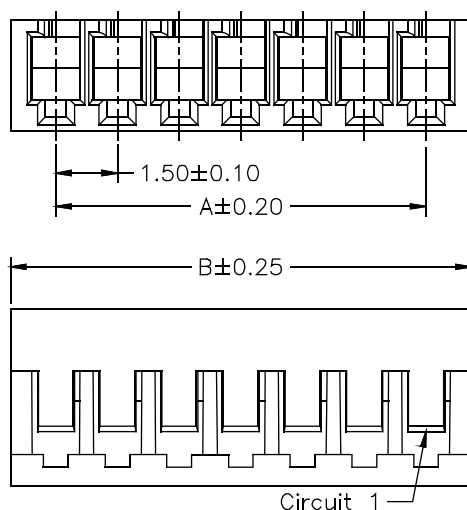
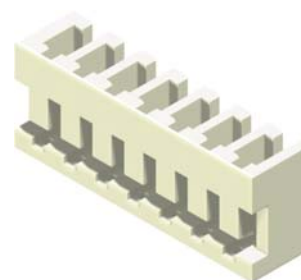


P.C.B. HOLE DIM.

Wire Range	Insulation O.D.	Material	Finish
#28-#30	1.00mm(Max)	Brass	Tin Plated

Part No.:1502-RT-L

No. of Contacts	Dimensions	
	A	B
2	1.50	3.70
3	3.00	5.20
4	4.50	6.70
5	6.00	8.20
6	7.50	9.70
7	9.00	11.20
8	10.50	12.70
9	12.00	14.20
10	13.50	15.70
11	15.00	17.20
12	16.50	18.70
13	18.00	20.20
14	19.50	21.70
15	21.00	23.20



P.C.B. LAYOUT

Circuit 1

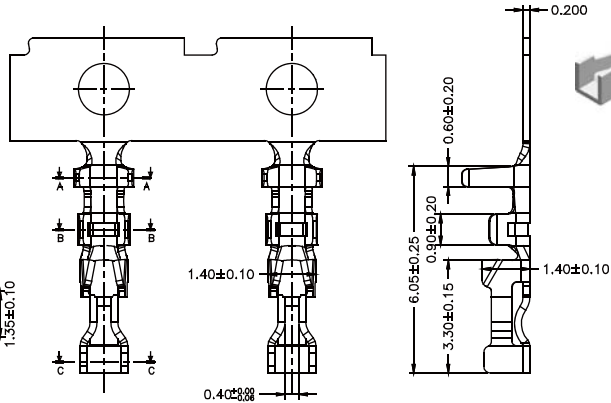
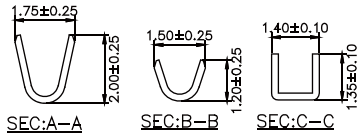
Part No.:1502RH-XXW-L



2.0mm Terminal / Housing

Specifications

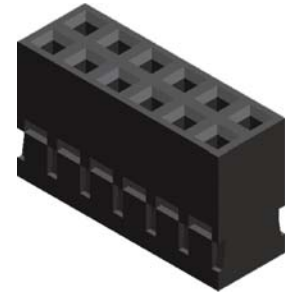
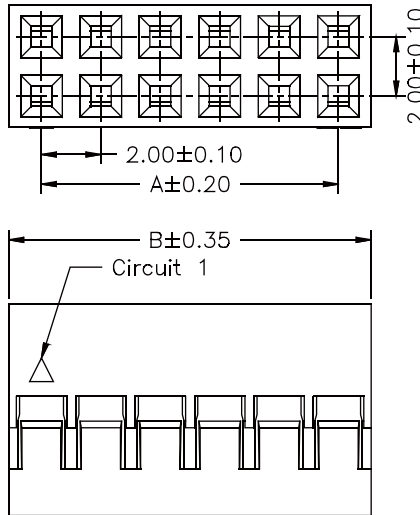
Current Rating: 2A AC,DC
 Voltage Rating: 250V AC,DC
 Temperature Range: -25°C to +85°C
 Contact Resistance: 20mΩ Max
 Insulation Resistance: 1000MΩ Min
 Withstanding Voltage: 1000V AC/minute
 Material: Nylon 66,UL94V-0



Part No.	Wire Range	Insulation O.D.	Material	Finish
2000-TTP-L	#26-#30	1.40mm(Max)	Phosphor Bronze	Tin Plated
2000-TGP-L				Gold Plated

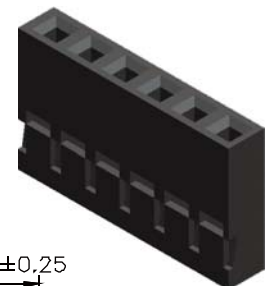
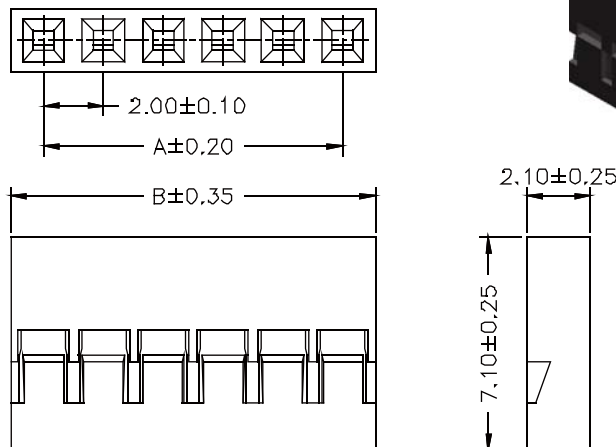
Part No.:2000-T-L

No. of Contacts	Dimensions		No. of Contacts	Dimensions	
	A	B		A	B
2x2	2.00	4.20	2x22	42.00	44.20
2x3	4.00	6.20	2x23	44.00	46.20
2x4	6.00	8.20	2x24	46.00	48.20
2x5	8.00	10.20	2x25	48.00	50.20
2x6	10.00	12.20	2x26	50.00	52.20
2x7	12.00	14.20	2x27	52.00	54.20
2x8	14.00	16.20	2x28	54.00	56.20
2x9	16.00	18.20	2x29	56.00	58.20
2x10	18.00	20.20	2x30	58.00	60.20
2x11	20.00	22.20	2x31	60.00	62.20
2x12	22.00	24.20	2x32	62.00	64.20
2x13	24.00	26.20	2x33	64.00	66.20
2x14	26.00	28.20	2x34	66.00	68.20
2x15	28.00	30.20	2x35	68.00	70.20
2x16	30.00	32.20	2x36	70.00	72.20
2x17	32.00	34.20	2x37	72.00	74.20
2x18	34.00	36.20	2x38	74.00	76.20
2x19	36.00	38.20	2x39	76.00	78.20
2x20	38.00	40.20	2x40	78.00	80.20
2x21	40.00	42.20			



Part No.:2000H-2XXB-L

No. of Contacts	Dimensions		No. of Contacts	Dimensions	
	A	B		A	B
2	2.00	4.20	17	32.00	34.20
3	4.00	6.20	18	34.00	36.20
4	6.00	8.20	19	36.00	38.20
5	8.00	10.20	20	38.00	40.20
6	10.00	12.20	21	40.00	42.20
7	12.00	14.20	22	42.00	44.20
8	14.00	16.20	23	44.00	46.20
9	16.00	18.20	24	46.00	48.20
10	18.00	20.20	25	48.00	50.20
11	20.00	22.20	26	50.00	52.20
12	22.00	24.20	27	52.00	54.20
13	24.00	26.20	28	54.00	56.20
14	26.00	28.20	29	56.00	58.20
15	28.00	30.20	30	58.00	60.20
16	30.00	32.20			



Part No.:2000H-1XXB-L

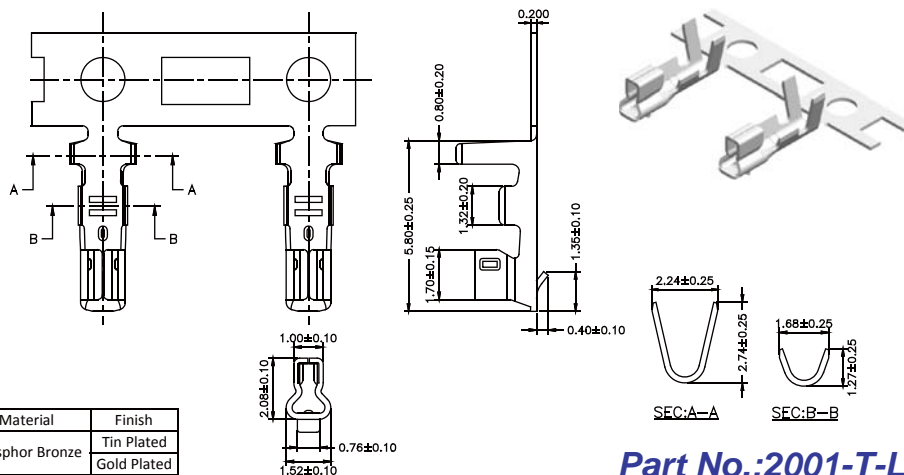
Housing Wafer Terminal



ROHS

2.0mm Terminal / Housing / Wafer SMT Straight / SMT R/A Type

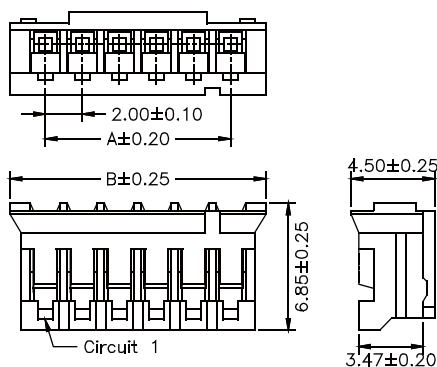
Specifications
 Current Rating: 2A AC,DC
 Voltage Rating: 100V AC,DC
 Temperature Range: -25°C to +85°C
 Contact Resistance: 10mΩ Max
 Insulation Resistance: 1000MΩ Min
 Withstanding Voltage: 800V AC/minute
 Terminal: Brass / Gold Plated
 Solder Tabs: Brass / Gold Plated
 Material: Housing: Nylon 66, UL94V-0
 Wafer: Nylon 6T, UL94V-0



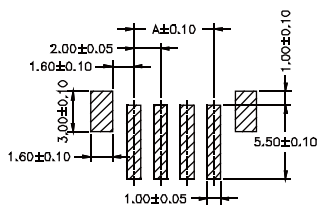
Part No.	Wire Range	Insulation O.D.	Material	Finish
2001-TTP-L	#24-#30	1.50mm(Max)	Phosphor Bronze	Tin Plated
2001-TGP-L	#24-#30	1.50mm(Max)	Phosphor Bronze	Gold Plated

Part No.:2001-T-L

No. of Contacts	Dimensions	
	A	B
2	2.00	5.80
3	4.00	7.80
4	6.00	9.80
5	8.00	11.80
6	10.00	13.80
7	12.00	15.80
8	14.00	17.80
9	16.00	19.80
10	18.00	21.80
11	20.00	23.80
12	22.00	25.80
13	24.00	27.80
14	26.00	29.80
15	28.00	31.80
16	30.00	33.80

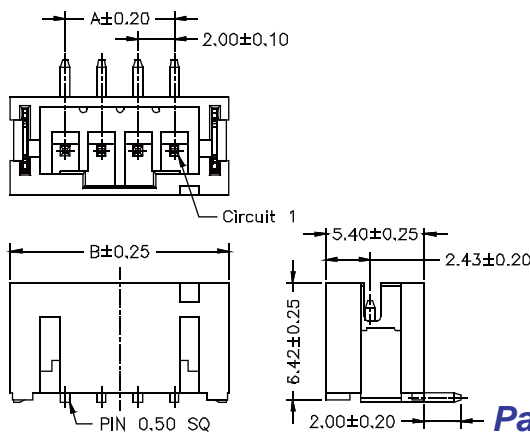


Part No.:2001H-XXW-L

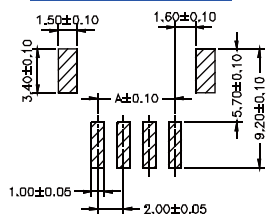


PCB LAYOUT

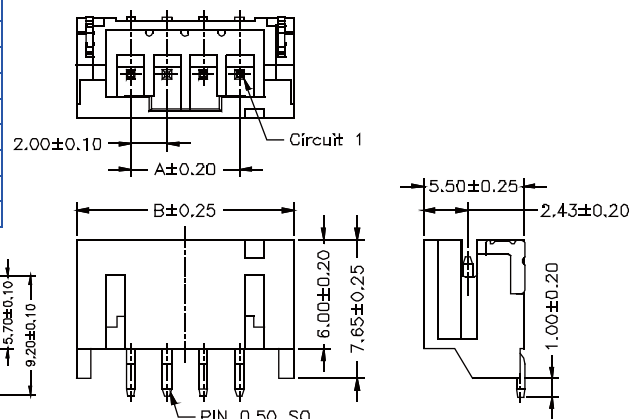
No. of Contacts	Dimensions	
	A	B
2	2.00	8.00
3	4.00	10.00
4	6.00	12.00
5	8.00	14.00
6	10.00	16.00
7	12.00	18.00
8	14.00	20.00
9	16.00	22.00
10	18.00	24.00
11	20.00	26.00
12	22.00	28.00
13	24.00	30.00
14	26.00	32.00
15	28.00	34.00
16	30.00	36.00



Part No.:2001MS-XXGW-U



PCB LAYOUT

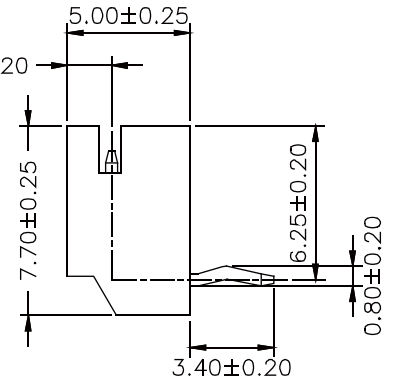
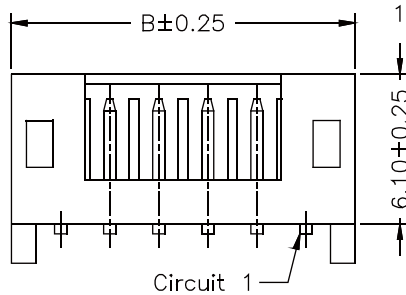
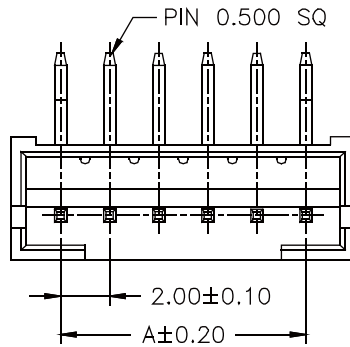
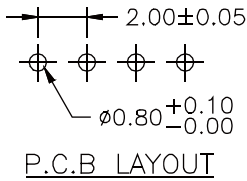
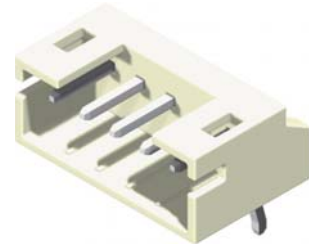


Part No.:2001MR-XXGW-U



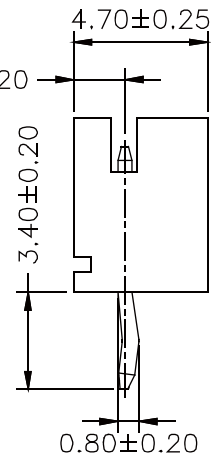
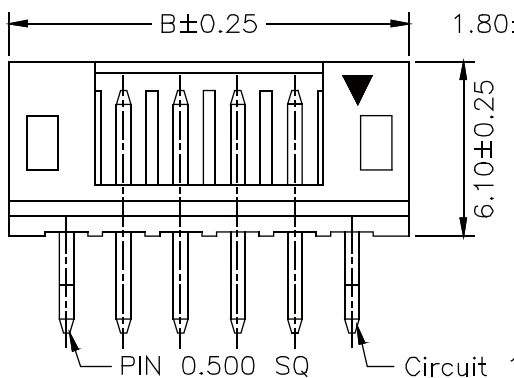
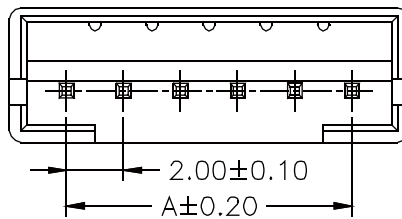
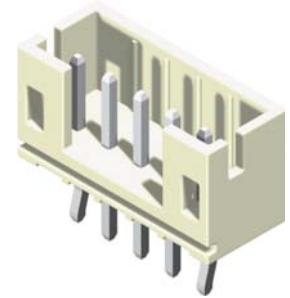
2.0mm Wafer Right Angle / Straight Type

Specifications
 Current Rating: 2A AC,DC
 Voltage Rating: 100V AC,DC
 Temperature Range: -25°C to +85°C
 Contact Resistance: 10mΩ Max
 Insulation Resistance: 1000MΩ Min
 Withstanding Voltage: 800V AC/minute
 Terminal: Brass / Tin Plated
 Material: Nylon 66, UL94V-0



Part No.:2001R-XXTW-L

No. of Contacts	Dimensions	
	A	B
2	2.00	6.00
3	4.00	8.00
4	6.00	10.00
5	8.00	12.00
6	10.00	14.00
7	12.00	16.00
8	14.00	18.00
9	16.00	20.00
10	18.00	22.00
11	20.00	24.00
12	22.00	26.00
13	24.00	28.00
14	26.00	30.00
15	28.00	32.00
16	30.00	34.00



Part No.:2001S-XXTW-L

Housing Wafer Terminal

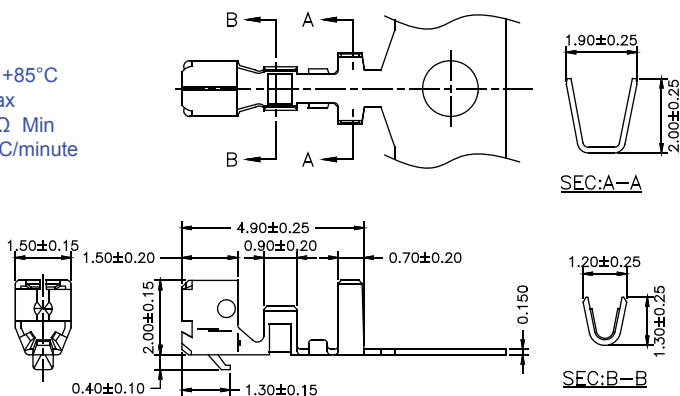


ROHS

2.0mm Terminal / Housing / Wafer Right Angle / Straight Type

Specifications

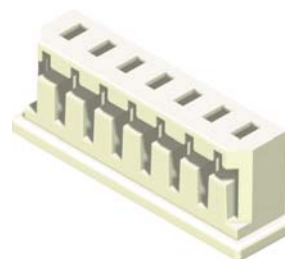
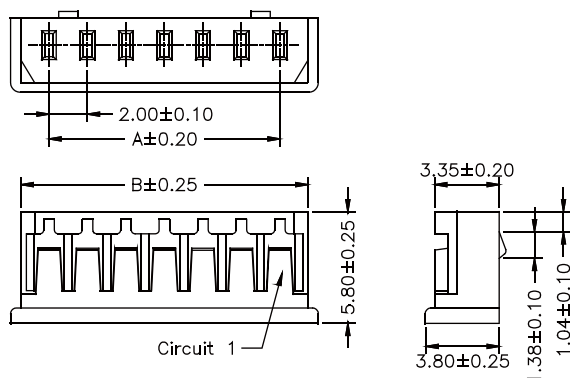
Current Rating: 2A AC,DC
 Voltage Rating: 125V AC,DC
 Temperature Range: -25°C to +85°C
 Contact Resistance: 20mΩ Max
 Insulation Resistance: 1000MΩ Min
 Withstanding Voltage: 800V AC/minute
 Terminal: Brass / Tin Plated
 Material: Nylon 66,UL94V-0



Wire Range	Insulation O.D.	Material	Finish
#24-#30	1.40mm(Max)	Phosphor Bronze	Tin Plated

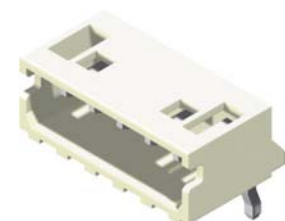
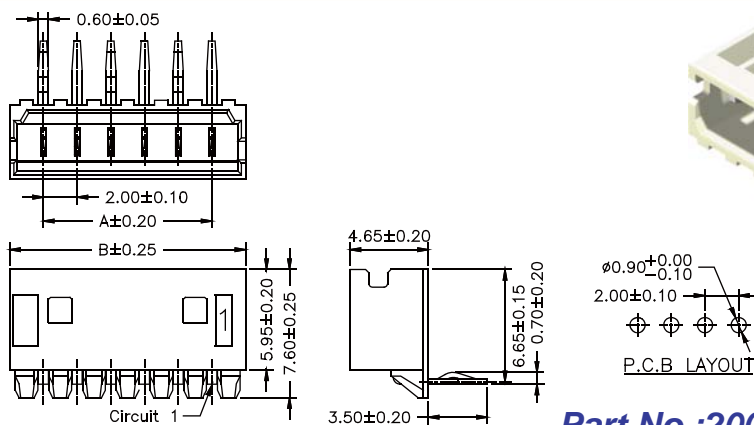
Part No.:2002-T-L

No. of Contacts	Dimensions	
	A	B
2	2.00	4.90
3	4.00	6.90
4	6.00	8.90
5	8.00	10.90
6	10.00	12.90
7	12.00	14.90
8	14.00	16.90
9	16.00	18.90
10	18.00	20.90
11	20.00	22.90
12	22.00	24.90
13	24.00	26.90
14	26.00	28.90
15	28.00	30.90

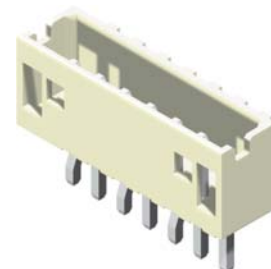
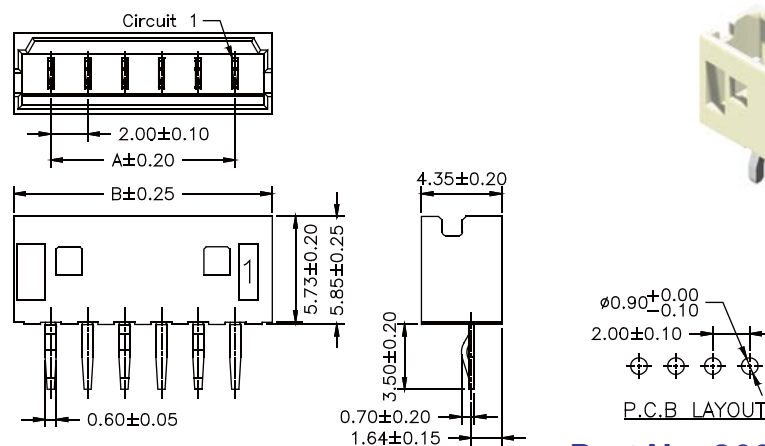


Part No.:2002H-XXW-L

No. of Contacts	Dimensions	
	A	B
2	2.00	6.00
3	4.00	8.00
4	6.00	10.00
5	8.00	12.00
6	10.00	14.00
7	12.00	16.00
8	14.00	18.00
9	16.00	20.00
10	18.00	22.00
11	20.00	24.00
12	22.00	26.00
13	24.00	28.00
14	26.00	30.00
15	28.00	32.00



Part No.:2002R-XXTW-L

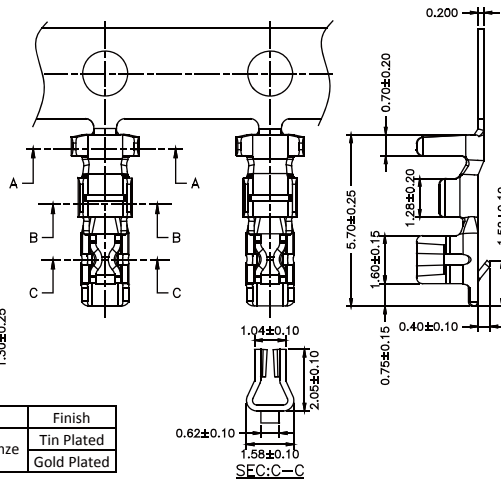
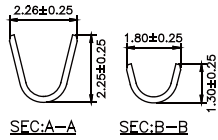


Part No.:2002S-XXTW-L



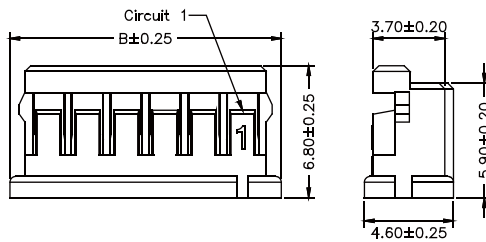
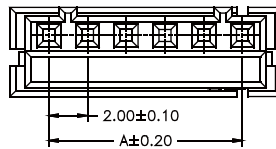
2.0mm Terminal / Housing / Wafer Right Angle / Straight Type

Specifications
 Current Rating: 3A AC,DC
 Voltage Rating: 250V AC,DC
 Temperature Range: -25°C to +85°C
 Contact Resistance: 30mΩ Max
 Insulation Resistance: 1000MΩ Min
 Withstanding Voltage: 650V AC/minute
 Terminal: Brass / Gold Plated
 Material: Housing: Nylon 66, UL94V-0
 Wafer: Nylon 6T, UL94V-0



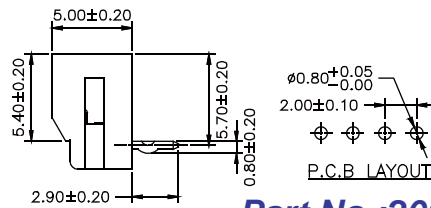
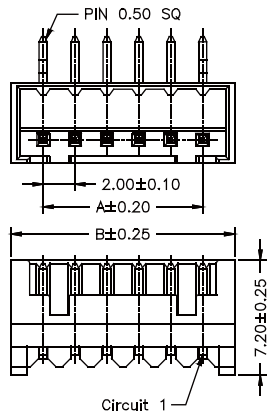
Part No.	Wire Range	Insulation O.D.	Material	Finish
2003-TTP-L	#22-#28	1.45mm(Max)	Phosphor Bronze	Tin Plated
2003-TGP-L				Gold Plated

Part No.:2003-T-L

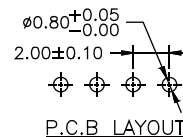
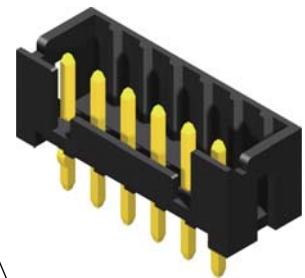
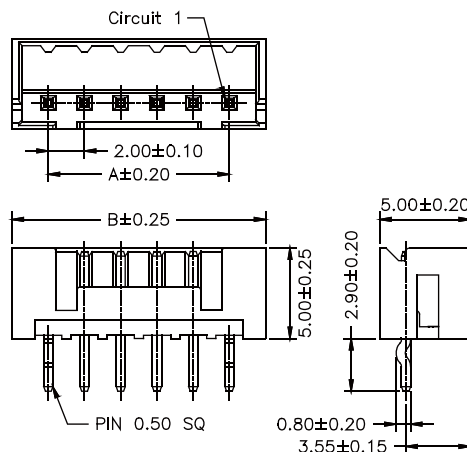


Part No.:2003H-XXB-L

No. of Contacts	Dimensions	
	A	B
2	2.00	6.00
3	4.00	8.00
4	6.00	10.00
5	8.00	12.00
6	10.00	14.00
7	12.00	16.00
8	14.00	18.00
9	16.00	20.00
10	18.00	22.00
11	20.00	24.00
12	22.00	26.00
13	24.00	28.00
14	26.00	30.00
15	28.00	32.00



Part No.:2003R-XXGB-U



Part No.:2003S-XXGB-U

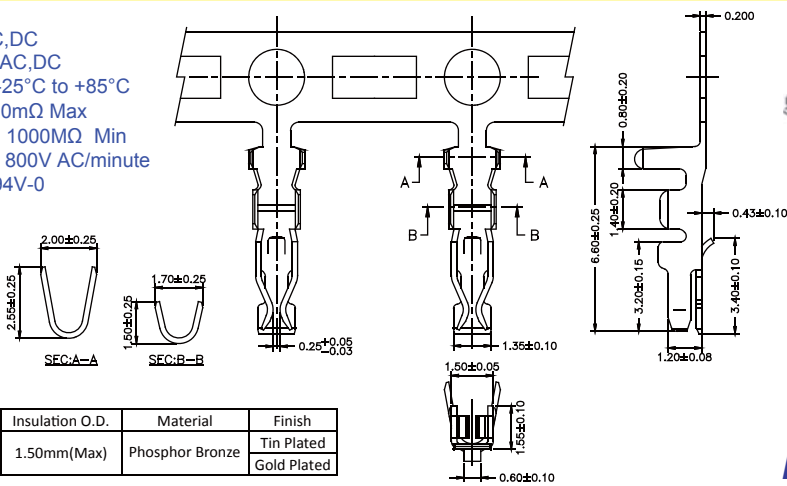
Housing Wafer Terminal



ROHS

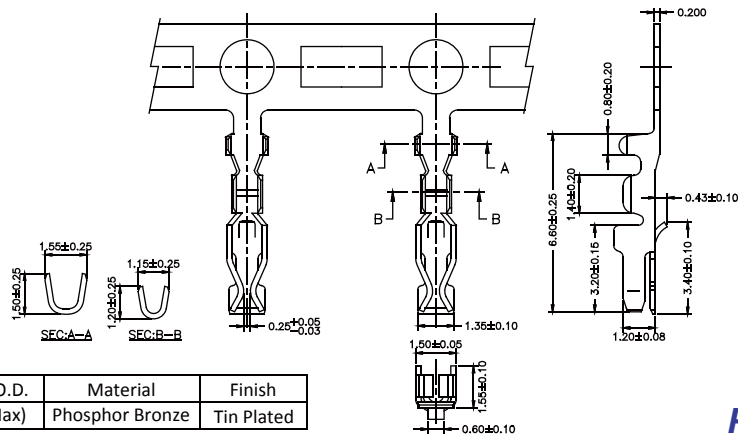
2.0mm Terminal / Housing

Specifications
 Current Rating: 3A AC,DC
 Voltage Rating: 250V AC,DC
 Temperature Range: -25°C to +85°C
 Contact Resistance: 10mΩ Max
 Insulation Resistance: 1000MΩ Min
 Withstanding Voltage: 800V AC/minute
 Material: Nylon 66, UL94V-0



Part No.	Wire Range	Insulation O.D.	Material	Finish
2004-TTP-L	#22-#28	1.50mm(Max)	Phosphor Bronze	Tin Plated
2004-TGP-L				Gold Plated

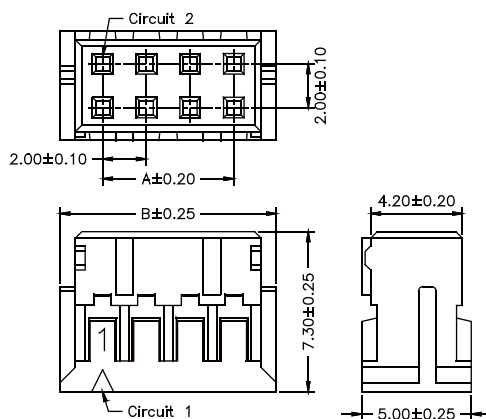
Part No.:2004-T-L



Wire Range	Insulation O.D.	Material	Finish
#28-#32	0.90mm(Max)	Phosphor Bronze	Tin Plated

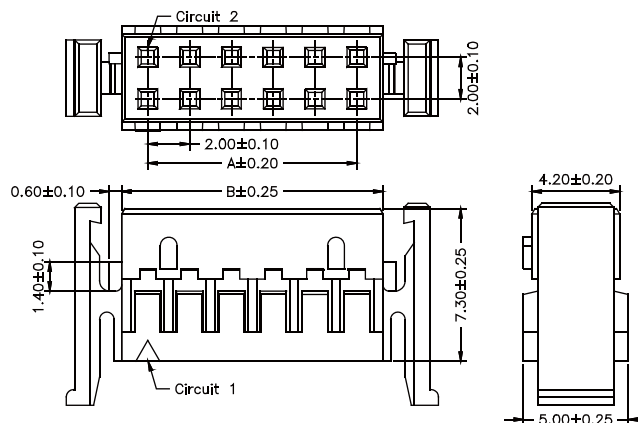
Part No.:2004-T-A-L

No. of Contacts	Dimensions	
	A	B
2x2	2.00	5.90
2x3	4.00	7.90
2x4	6.00	9.90
2x5	8.00	11.90
2x6	10.00	13.90
2x7	12.00	15.90
2x8	14.00	17.90
2x9	16.00	19.90
2x10	18.00	21.90
2x11	20.00	23.90
2x12	22.00	25.90
2x13	24.00	27.90
2x14	26.00	29.90
2x15	28.00	31.90
2x16	30.00	33.90
2x17	32.00	35.90
2x18	34.00	37.90
2x19	36.00	39.90
2x20	38.00	41.90



Part No.:2004H-2XXW-L

No. of Contacts	Dimensions	
	A	B
2x2	2.00	4.50
2x3	4.00	6.50
2x4	6.00	8.50
2x5	8.00	10.50
2x6	10.00	12.50
2x7	12.00	14.50
2x8	14.00	16.50
2x9	16.00	18.50
2x10	18.00	20.50
2x11	20.00	22.50
2x12	22.00	24.50
2x13	24.00	26.50
2x14	26.00	28.50
2x15	28.00	30.50
2x16	30.00	32.50
2x17	32.00	34.50
2x18	34.00	36.50
2x19	36.00	38.50
2x20	38.00	40.50

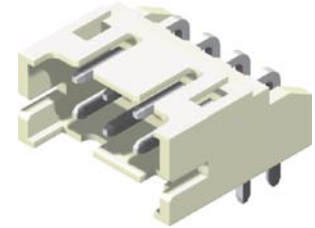
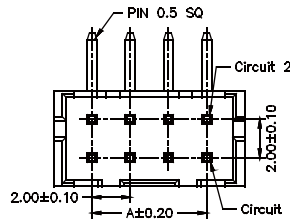


Part No.:2004H-2XXW1-L

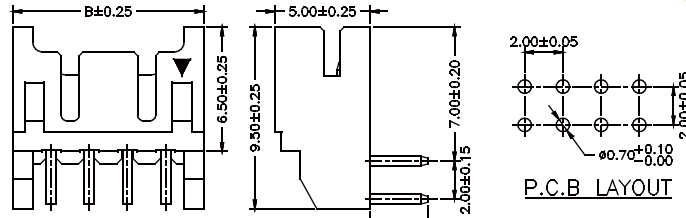


2.0mm Wafer Right Angle / Straight Type

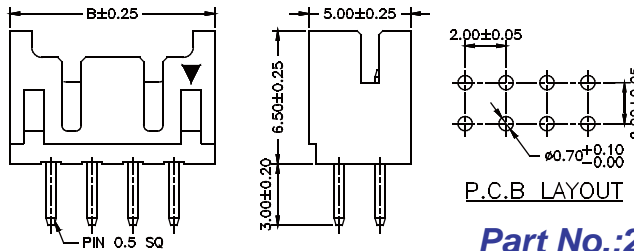
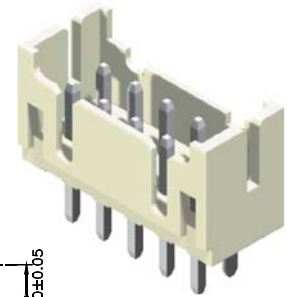
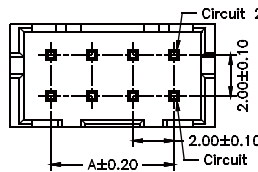
Specifications
 Current Rating: 3A AC,DC
 Voltage Rating: 250V AC,DC
 Temperature Range: -25°C to +85°C
 Contact Resistance: 10mΩ Max
 Insulation Resistance: 1000MΩ Min
 Withstanding Voltage: 800V AC/minute
 Terminal: Brass / Gold & Tin Plated
 Material: Nylon 66 & Nylon 6T, UL94V-0



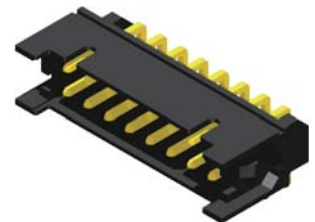
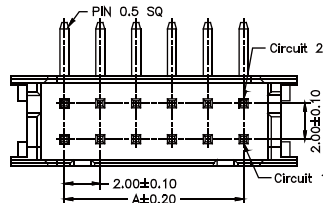
No. of Contacts	Dimensions	
	A	B
2x2	2.00	6.00
2x3	4.00	8.00
2x4	6.00	10.00
2x5	8.00	12.00
2x6	10.00	14.00
2x7	12.00	16.00
2x8	14.00	18.00
2x9	16.00	20.00
2x10	18.00	22.00
2x11	20.00	24.00
2x12	22.00	26.00
2x13	24.00	28.00
2x14	26.00	30.00
2x15	28.00	32.00
2x16	30.00	34.00
2x17	32.00	36.00
2x18	34.00	38.00
2x19	36.00	40.00
2x20	38.00	42.00



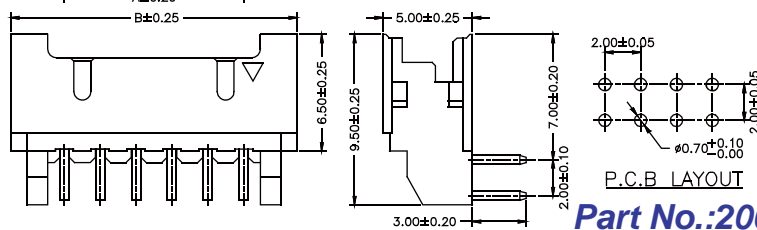
Part No.:2004R-2XXTW-L



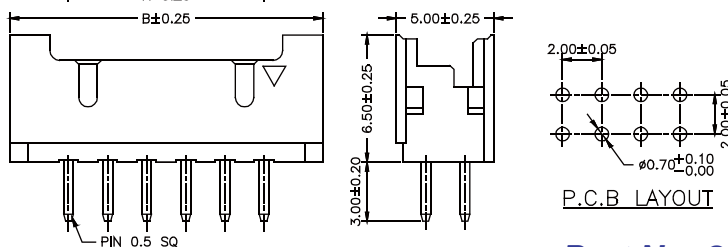
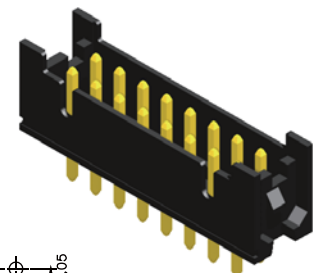
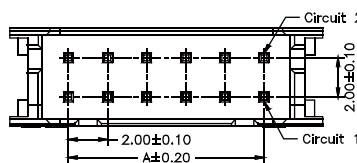
Part No.:2004S-2XXTW-L



No. of Contacts	Dimensions	
	A	B
2x2	2.00	8.00
2x3	4.00	10.00
2x4	6.00	12.00
2x5	8.00	14.00
2x6	10.00	16.00
2x7	12.00	18.00
2x8	14.00	20.00
2x9	16.00	22.00
2x10	18.00	24.00
2x11	20.00	26.00
2x12	22.00	28.00
2x13	24.00	30.00
2x14	26.00	32.00
2x15	28.00	34.00
2x16	30.00	36.00
2x17	32.00	38.00
2x18	34.00	40.00
2x19	36.00	42.00
2x20	38.00	44.00



Part No.:2004R-2XXGB1-U



Part No.:2004S-2XXGB1-U

Housing Wafer Terminal

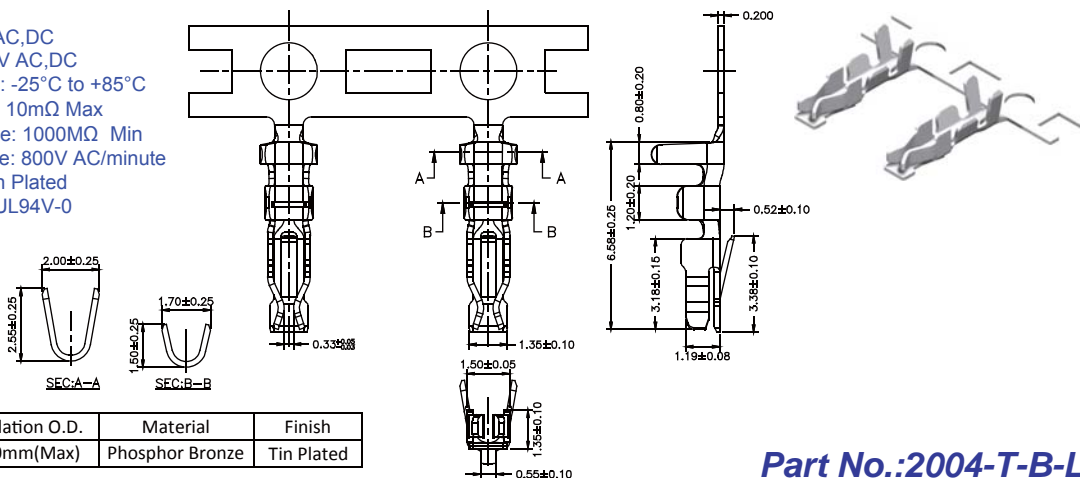


ROHS

AMTEK CONNECTOR MANUFACTURING

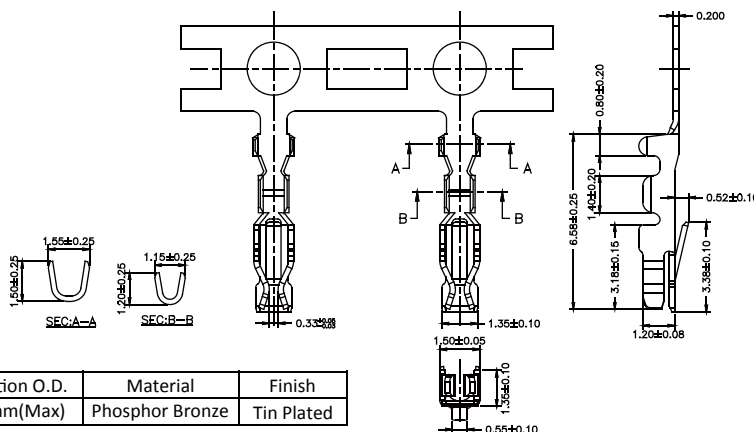
2.0mm Terminal / Housing / Wafer R/A / Straight Type

Specifications
 Current Rating: 3A AC,DC
 Voltage Rating: 250V AC,DC
 Temperature Range: -25°C to +85°C
 Contact Resistance: 10mΩ Max
 Insulation Resistance: 1000MΩ Min
 Withstanding Voltage: 800V AC/minute
 Terminal: Brass / Tin Plated
 Material: Nylon 66, UL94V-0



Wire Range	Insulation O.D.	Material	Finish
#22-#28	1.50mm(Max)	Phosphor Bronze	Tin Plated

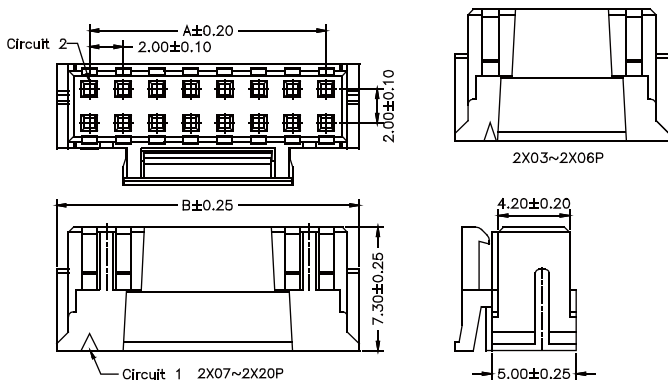
Part No.:2004-T-B-L



Wire Range	Insulation O.D.	Material	Finish
#28-#32	0.90mm(Max)	Phosphor Bronze	Tin Plated

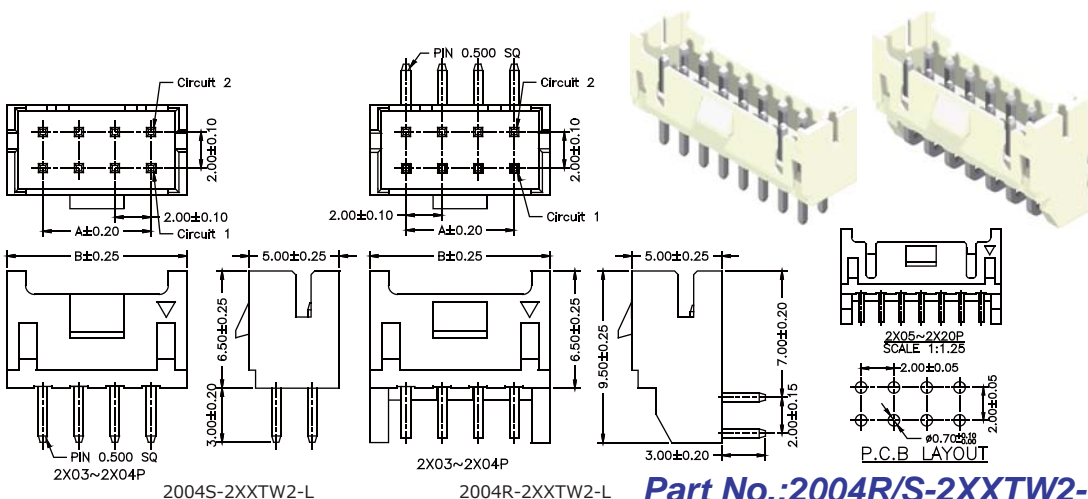
Part No.:2004-T-C-L

No. of Contacts	Dimensions	
	A	B
2x3	4.00	7.90
2x4	6.00	9.90
2x5	8.00	11.90
2x6	10.00	13.90
2x7	12.00	15.90
2x8	14.00	17.90
2x9	16.00	19.90
2x10	18.00	21.90
2x11	20.00	23.90
2x12	22.00	25.90
2x13	24.00	27.90
2x14	26.00	29.90
2x15	28.00	31.90
2x16	30.00	33.90
2x17	32.00	35.90
2x18	34.00	37.90
2x19	36.00	39.90
2x20	38.00	41.90



Part No.:2004H-2XXTW2-L

No. of Contacts	Dimensions	
	A	B
2x3	4.00	8.00
2x4	6.00	10.00
2x5	8.00	12.00
2x6	10.00	14.00
2x7	12.00	16.00
2x8	14.00	18.00
2x9	16.00	20.00
2x10	18.00	22.00
2x11	20.00	24.00
2x12	22.00	26.00
2x13	24.00	28.00
2x14	26.00	30.00
2x15	28.00	32.00
2x16	30.00	34.00
2x17	32.00	36.00
2x18	34.00	38.00
2x19	36.00	40.00
2x20	38.00	42.00

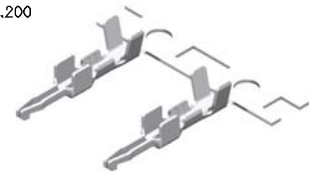
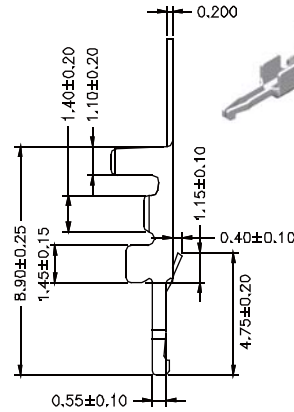
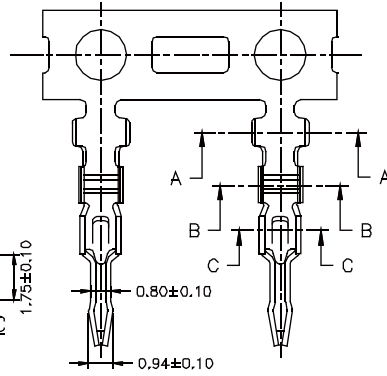
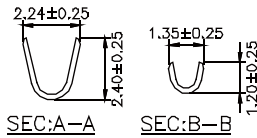


Part No.:2004R/S-2XXTW2-L



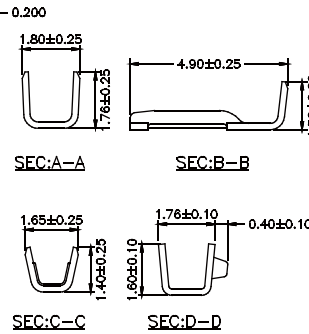
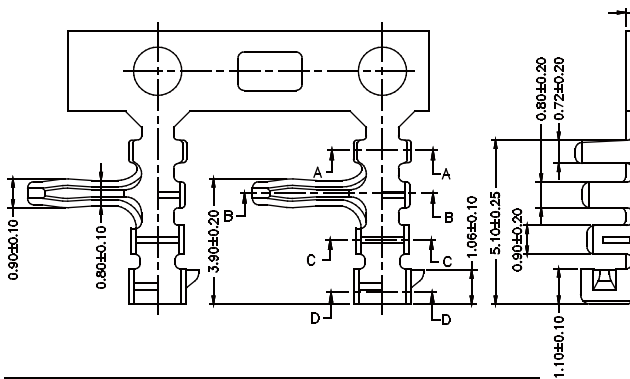
2.0mm Terminal / Housing

Specifications
 Current Rating: 2A AC,DC
 Voltage Rating: 250V AC,DC
 Temperature Range: -25°C to +85°C
 Contact Resistance: 20mΩ Max
 Insulation Resistance: 1000MΩ Min
 Withstanding Voltage: 800V AC/minute
 Material:Nylon 66,UL94V-0



Wire Range	Insulation O.D.	Material	Finish
#24-#30	1.30mm(Max)	Brass	Tin Plated

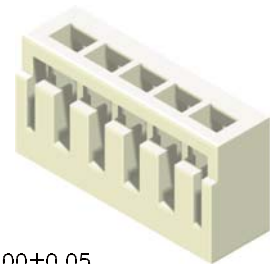
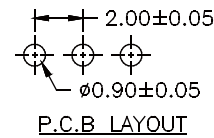
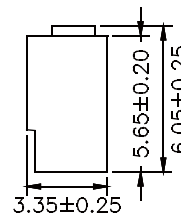
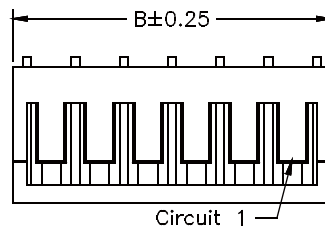
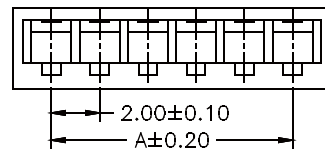
Part No.:2005-T-L



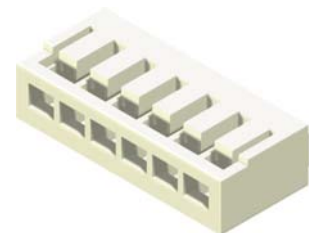
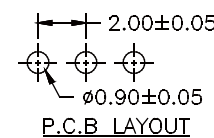
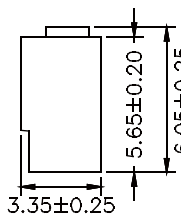
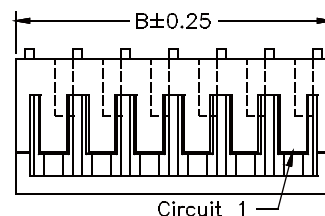
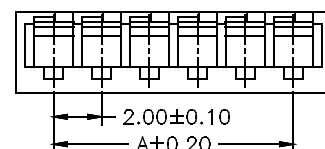
Wire Range	Insulation O.D.	Material	Finish
#24-#30	1.40mm(Max)	Brass	Tin Plated

Part No.:2005-RT-L

No. of Contacts	Dimensions	
	A	B
2	2.00	5.15
3	4.00	7.15
4	6.00	9.15
5	8.00	11.15
6	10.00	13.15
7	12.00	15.15
8	14.00	17.15
9	16.00	19.15
10	18.00	21.15
11	20.00	23.15
12	22.00	25.15
13	24.00	27.15
14	26.00	29.15
15	28.00	31.15
16	30.00	33.15



Part No.:2005H-XXW-L



Part No.:2005RH-XXW-L

Housing Wafer Terminal

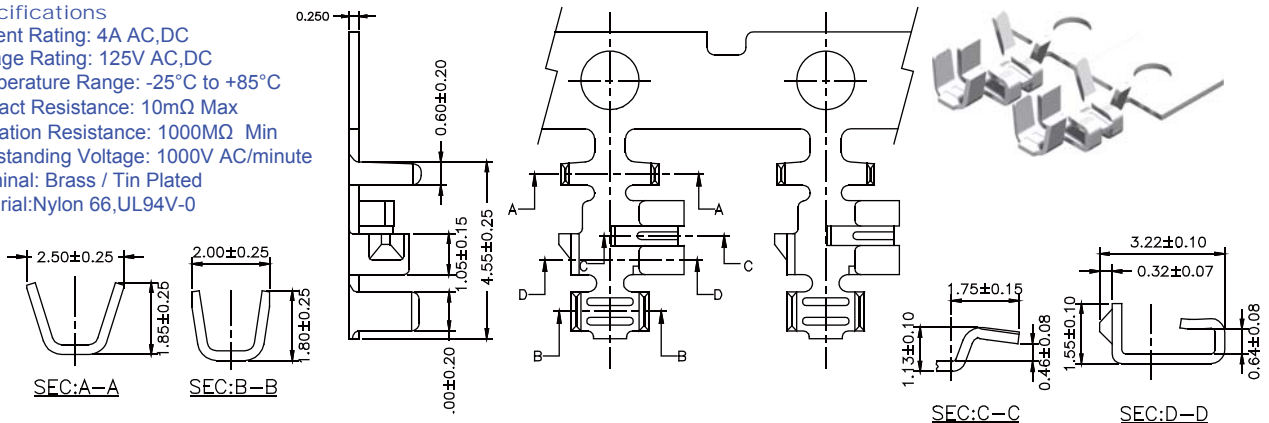


ROHS

CONNECTOR MANUFACTURER

2.0mm Terminal / Housing / Wafer R/A / Straight Type

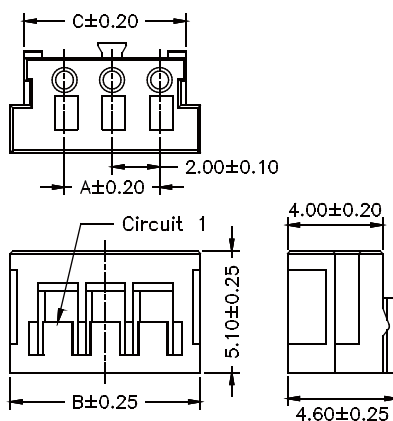
Specifications
 Current Rating: 4A AC,DC
 Voltage Rating: 125V AC,DC
 Temperature Range: -25°C to +85°C
 Contact Resistance: 10mΩ Max
 Insulation Resistance: 1000MΩ Min
 Withstanding Voltage: 1000V AC/minute
 Terminal: Brass / Tin Plated
 Material: Nylon 66, UL94V-0



Wire Range	Insulation O.D.	Material	Finish
#22-#26	1.50mm(Max)	Phosphor Bronze	Tin Plated

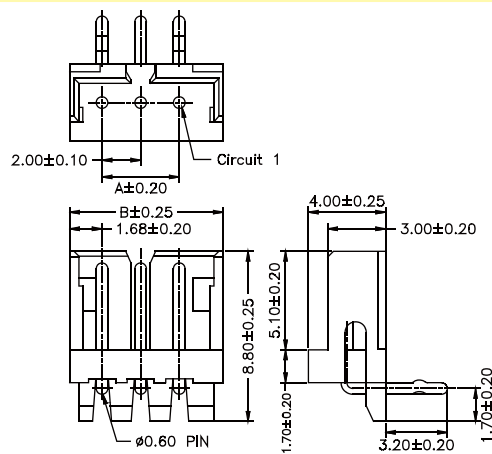
Part No.:2006-T-L

No. of Contacts	Dimensions		
	A	B	C
2	2.00	6.00	4.80
3	4.00	8.00	6.80
4	6.00	10.00	8.80
5	8.00	12.00	10.80
6	10.00	14.00	12.80
7	12.00	16.00	14.80
8	14.00	18.00	16.80
9	16.00	20.00	18.80
10	18.00	22.00	20.80
11	20.00	24.00	22.80
12	22.00	26.00	24.80
13	24.00	28.00	26.80
14	26.00	30.00	28.80
15	28.00	32.00	30.80

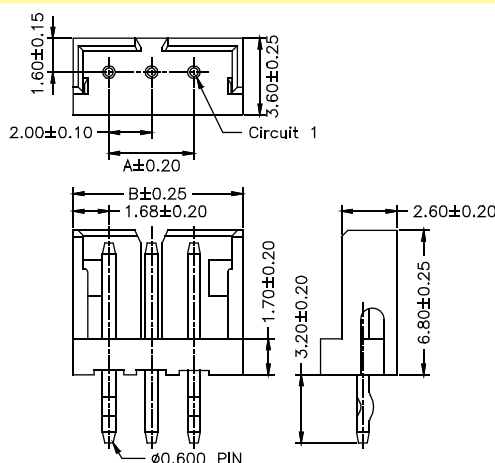


Part No.:2006H-XXW-L

No. of Contacts	Dimensions	
	A	B
2	2.00	5.96
3	4.00	7.96
4	6.00	9.96
5	8.00	11.96
6	10.00	13.96
7	12.00	15.96
8	14.00	17.96
9	16.00	19.96
10	18.00	21.96
11	20.00	23.96
12	22.00	25.96
13	24.00	27.96
14	26.00	29.96
15	28.00	31.96



Part No.:2006R-XXTW-L



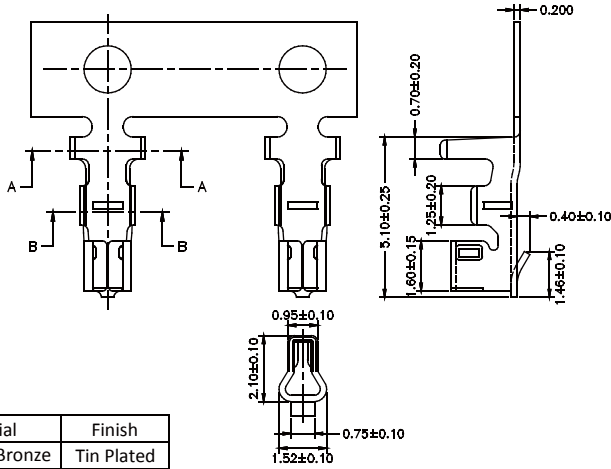
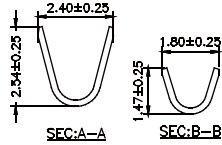
Part No.:2006S-XXTW-L

CONNECTORS MANUFACTURER



2.0mm Terminal / Housing / Wafer R/A / Straight Type

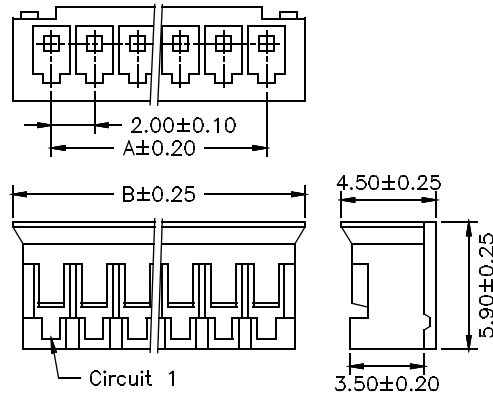
Specifications
 Current Rating: 3A AC,DC
 Voltage Rating: 300V AC,DC
 Temperature Range: -25°C to +85°C
 Contact Resistance: 20mΩ Max
 Insulation Resistance: 1000MΩ Min
 Withstanding Voltage: 800V AC/minute
 Material: Nylon 66, UL94V-0



Wire Range	Insulation O.D.	Material	Finish
#24-#28	1.50mm(Max)	Phosphor Bronze	Tin Plated

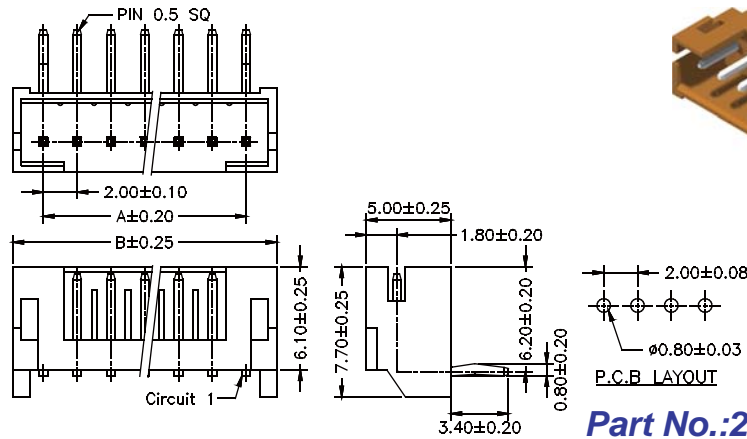
Part No.:2007-T-L

No. of Contacts	Dimensions	
	A	B
2	2.00	5.60
3	4.00	7.60
4	6.00	9.60
5	8.00	11.60
6	10.00	13.60
7	12.00	15.60
8	14.00	17.60
9	16.00	19.60
10	18.00	21.60
11	20.00	23.60
12	22.00	25.60
13	24.00	27.60
14	26.00	29.60
15	28.00	31.60



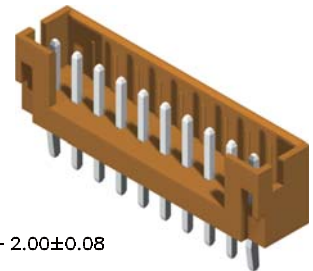
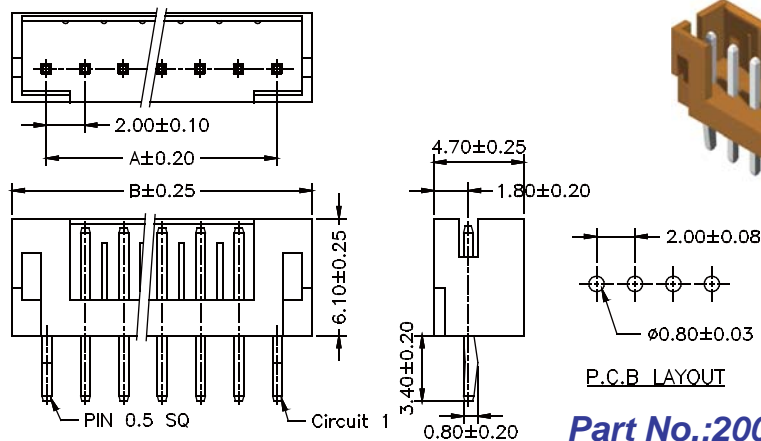
Part No.:2007H-XXR-L

No. of Contacts	Dimensions	
	A	B
2	2.00	6.00
3	4.00	8.00
4	6.00	10.00
5	8.00	12.00
6	10.00	14.00
7	12.00	16.00
8	14.00	18.00
9	16.00	20.00
10	18.00	22.00
11	20.00	24.00
12	22.00	26.00
13	24.00	28.00
14	26.00	30.00
15	28.00	32.00



Part No.:2007R-XXTR-L

No. of Contacts	Dimensions	
	A	B
2	2.00	6.00
3	4.00	8.00
4	6.00	10.00
5	8.00	12.00
6	10.00	14.00
7	12.00	16.00
8	14.00	18.00
9	16.00	20.00
10	18.00	22.00
11	20.00	24.00
12	22.00	26.00
13	24.00	28.00
14	26.00	30.00
15	28.00	32.00



Part No.:2007R-XXTR-L

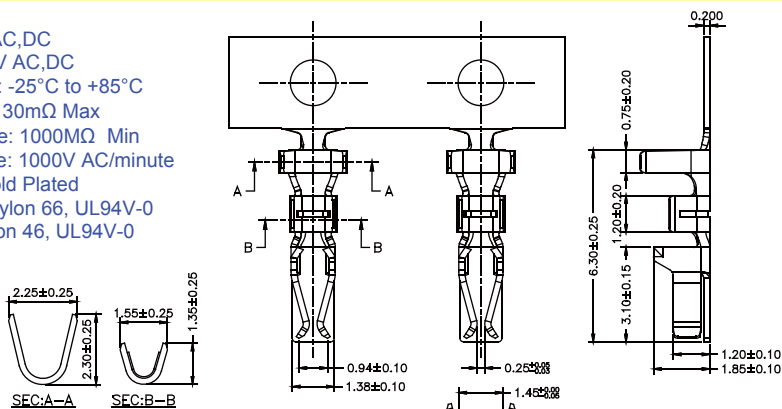
Housing Wafer Terminal



ROHS

2.0mm Terminal / Housing / Wafer R/A / Straight Type

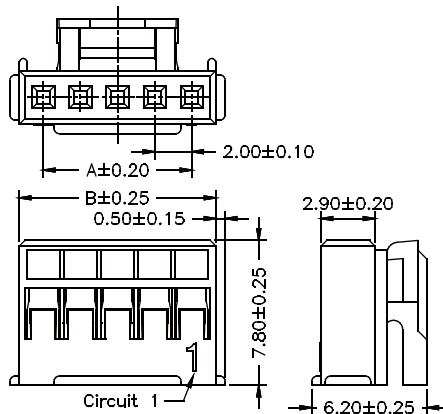
Specifications
 Current Rating: 3A AC,DC
 Voltage Rating: 250V AC,DC
 Temperature Range: -25°C to +85°C
 Contact Resistance: 30mΩ Max
 Insulation Resistance: 1000MΩ Min
 Withstanding Voltage: 1000V AC/minute
 Terminal: Brass / Gold Plated
 Material: Housing: Nylon 66, UL94V-0
 Wafer: Nylon 46, UL94V-0



Wire Range	Insulation O.D.	Material	Finish
#22-#30	1.45mm(Max)	Phosphor Bronze	Tin Plated

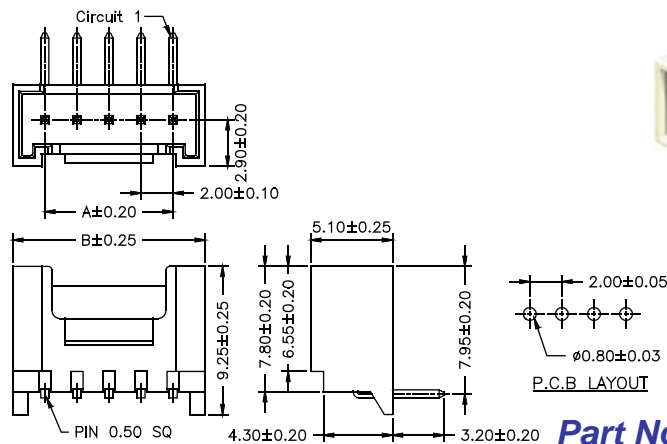
Part No.:2211-T-L

No. of Contacts	Dimensions	
	A	B
2	2.00	4.60
3	4.00	6.60
4	6.00	8.60
5	8.00	10.60
6	10.00	12.60
7	12.00	14.60
8	14.00	16.60
9	16.00	18.60
10	18.00	20.60
11	20.00	22.60
12	22.00	24.60
13	24.00	26.60
14	26.00	28.60
15	28.00	30.60
16	30.00	32.60

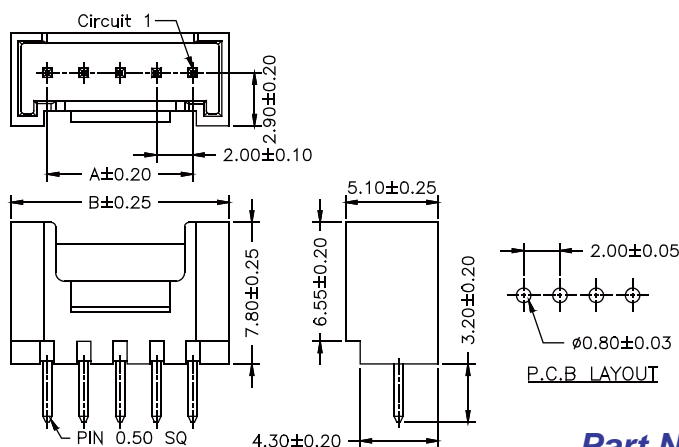


Part No.:2008H-XXW-L

No. of Contacts	Dimensions	
	A	B
2	2.00	6.00
3	4.00	8.00
4	6.00	10.00
5	8.00	12.00
6	10.00	14.00
7	12.00	16.00
8	14.00	18.00
9	16.00	20.00
10	18.00	22.00
11	20.00	24.00
12	22.00	26.00
13	24.00	28.00
14	26.00	30.00
15	28.00	32.00
16	30.00	34.00



Part No.:2008R-XXTW-U

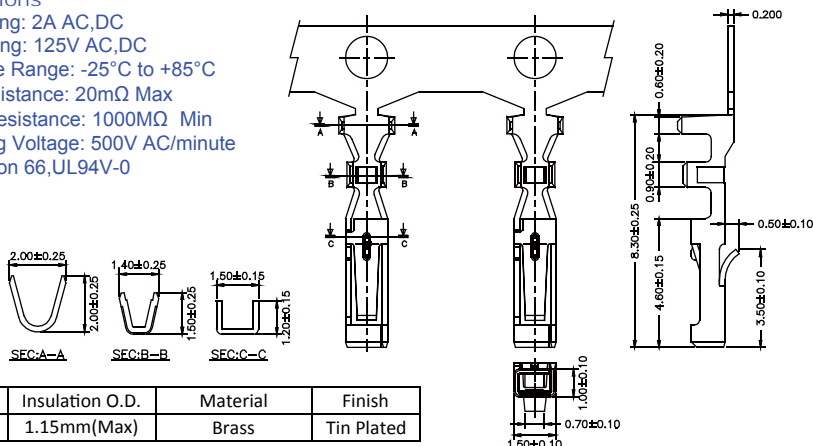


Part No.:2008S-XXTW-U



2.0mm Female & Male Terminal / Female & Male Housing

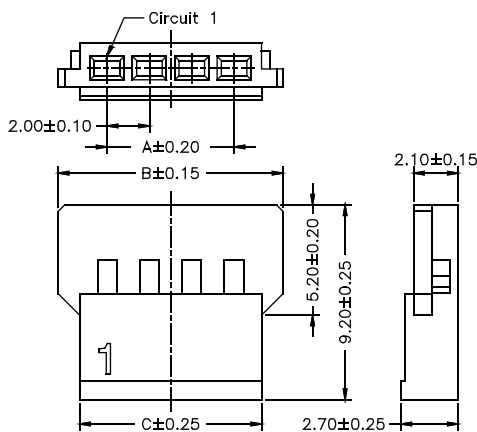
Specifications
 Current Rating: 2A AC,DC
 Voltage Rating: 125V AC,DC
 Temperature Range: -25°C to +85°C
 Contact Resistance: 20mΩ Max
 Insulation Resistance: 1000MΩ Min
 Withstanding Voltage: 500V AC/minute
 Material:Nylon 66,UL94V-0



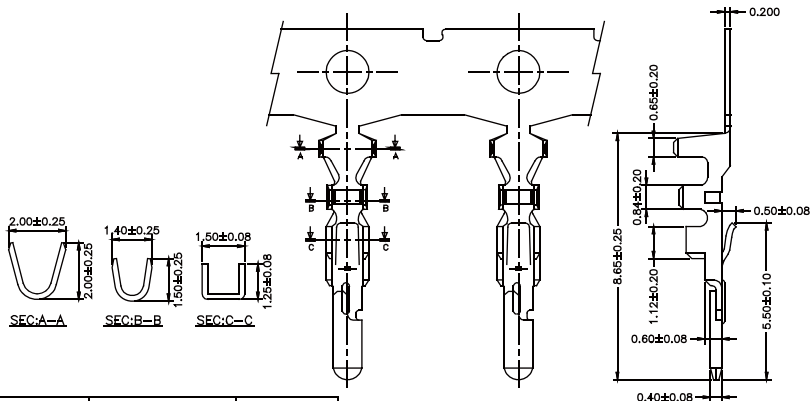
Wire Range	Insulation O.D.	Material	Finish
#24-#28	1.15mm(Max)	Brass	Tin Plated

Part No.:2009-FT-L

No. of Contacts	Dimensions		
	A	B	C
2	2.00	6.60	4.60
3	4.00	8.60	6.60
4	6.00	10.60	8.60
5	8.00	12.60	10.60
6	10.00	14.60	12.60
7	12.00	16.60	14.60
8	14.00	18.60	16.60
9	16.00	20.60	18.60
10	18.00	22.60	20.60
11	20.00	24.60	22.60
12	22.00	26.60	24.60
13	24.00	28.60	26.60



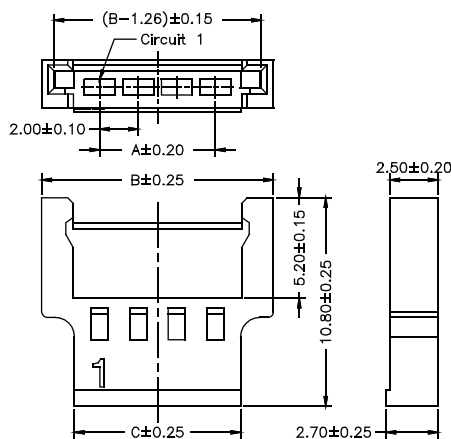
Part No.:2009H-FXXW-L



Wire Range	Insulation O.D.	Material	Finish
#24-#28	1.15mm(Max)	Brass	Tin Plated

Part No.:2009-MT-L

No. of Contacts	Dimensions		
	A	B	C
2	2.00	8.00	4.60
3	4.00	10.00	6.60
4	6.00	12.00	8.60
5	8.00	14.00	10.60
6	10.00	16.00	12.60
7	12.00	18.00	14.60
8	14.00	20.00	16.60
9	16.00	22.00	18.60
10	18.00	24.00	20.60
11	20.00	26.00	22.60
12	22.00	28.00	24.60
13	24.00	30.00	26.60



Part No.:2009H-MXXW-L

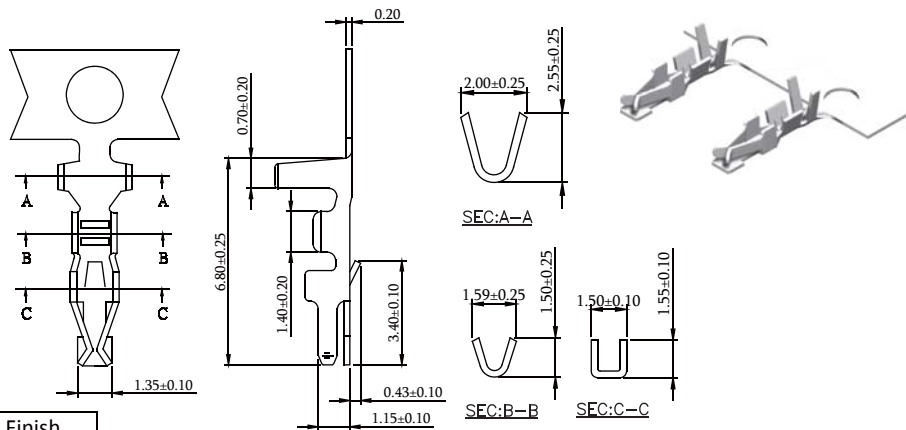
Housing Wafer Terminal



ROHS

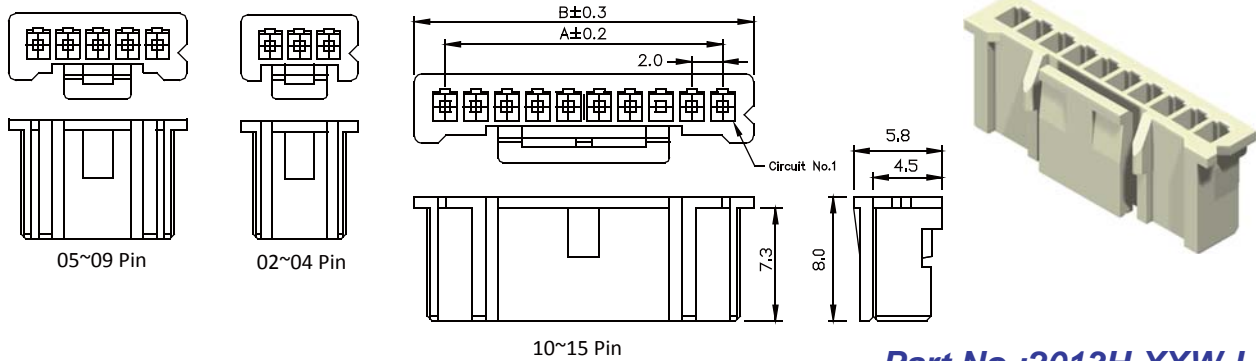
2.0mm Terminal / Housing / Wafer R/A / Straight Type

Specifications
 Current Rating: 3A AC,DC
 Voltage Rating: 250V AC,DC
 Temperature Range: -25°C to +85°C
 Contact Resistance: 20mΩ Max
 Insulation Resistance: 1000MΩ Min
 Withstanding Voltage: 800V AC/minute
 Terminal: Brass / Tin Plated
 Material: Housing: Nylon 66, UL94V-0
 Wafer: P.B.T, UL94V-0

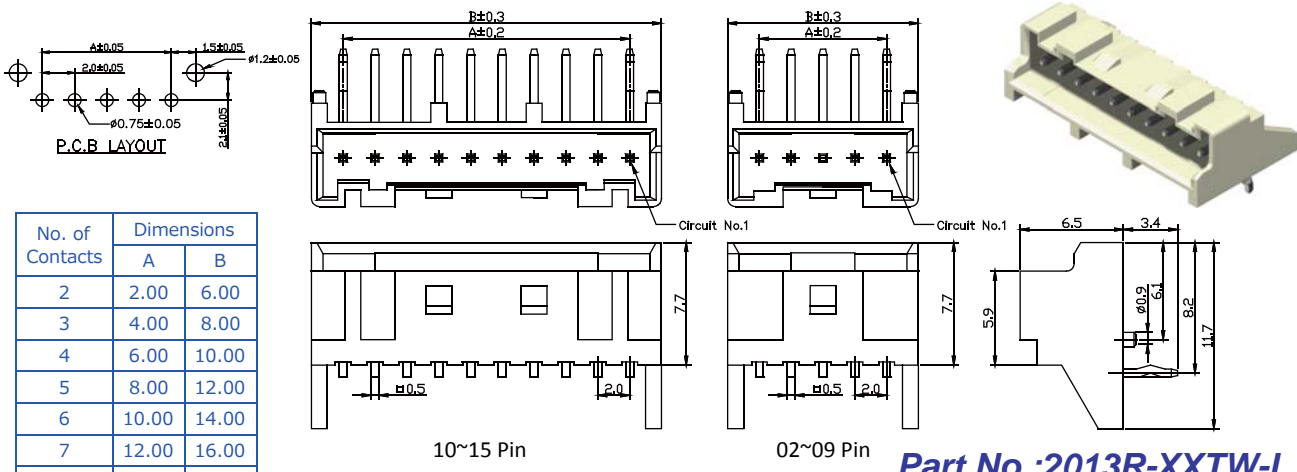


Wire Range	Material	Finish
#22-#28	Phosphor Bronze	Tin Plated

Part No.:2013-T-L

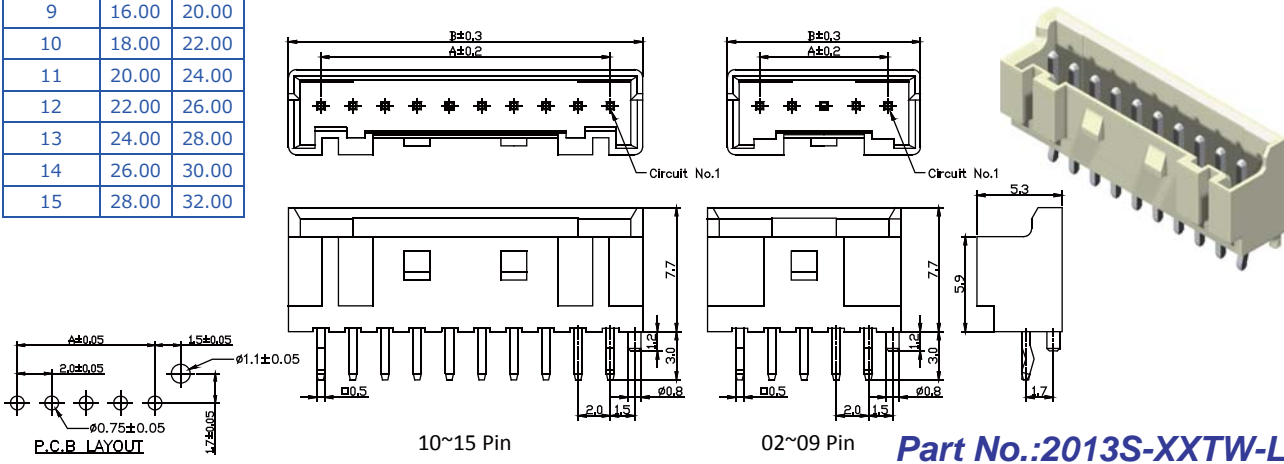


Part No.:2013H-XXW-L



No. of Contacts	Dimensions	
	A	B
2	2.00	6.00
3	4.00	8.00
4	6.00	10.00
5	8.00	12.00
6	10.00	14.00
7	12.00	16.00
8	14.00	18.00
9	16.00	20.00
10	18.00	22.00
11	20.00	24.00
12	22.00	26.00
13	24.00	28.00
14	26.00	30.00
15	28.00	32.00

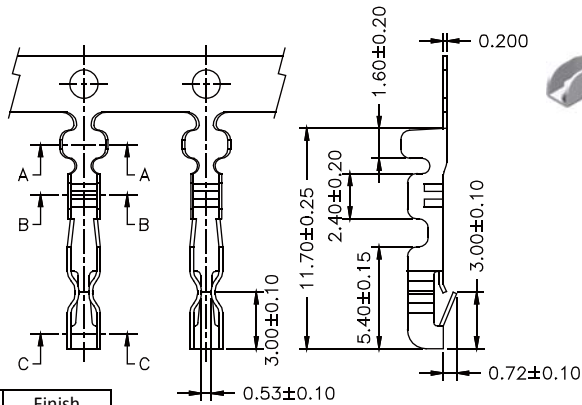
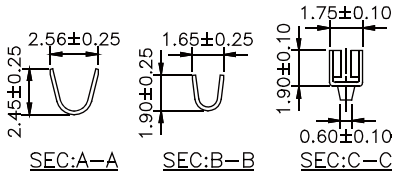
Part No.:2013R-XXTW-L



Part No.:2013S-XXTW-L

2.5mm Terminal / Housing / Wafer R/A / Straight Type

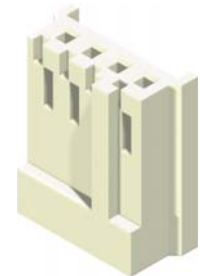
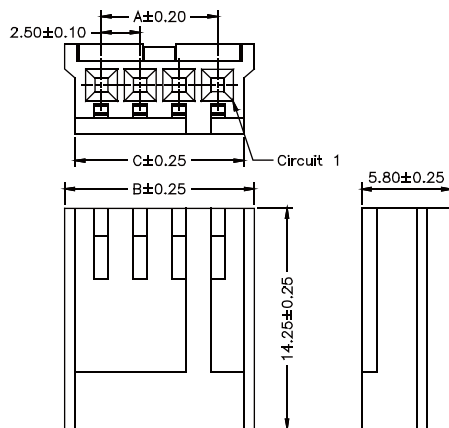
Specifications
 Current Rating: 3A AC,DC
 Voltage Rating: 250V AC,DC
 Temperature Range: -25°C to +85°C
 Contact Resistance: 10mΩ Max
 Insulation Resistance: 500MΩ Min
 Withstanding Voltage: 800V AC/minute
 Terminal: Brass / Tin Plated
 Material: Nylon 66,UL94V-0



Wire Range	Insulation O.D.	Material	Finish
#20-#26	1.90mm(Max)	Brass	Tin Plated

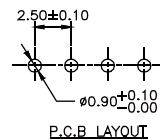
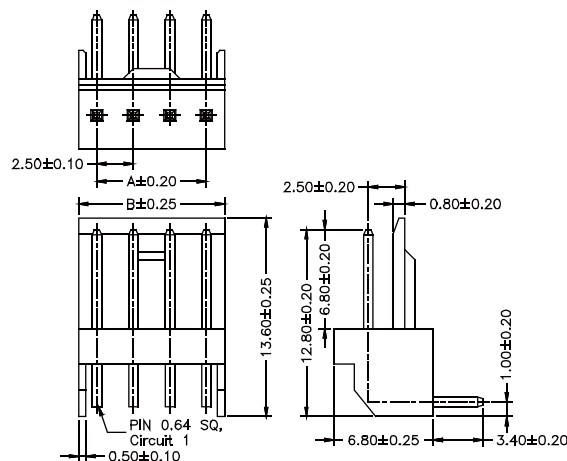
Part No.:2500-T-L

No. of Contacts	Dimensions		
	A	B	C
2	2.50	7.25	5.90
3	5.00	9.75	8.40
4	7.50	12.25	10.90
5	10.00	14.75	13.40
6	12.50	17.25	15.90
7	15.00	19.75	18.40
8	17.50	22.25	20.90
9	20.00	24.75	23.40
10	22.50	27.25	25.90
11	25.00	29.75	28.40
12	27.50	32.25	30.90
13	30.00	34.75	33.40
14	32.50	37.25	35.90
15	35.00	39.75	38.40

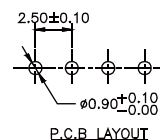
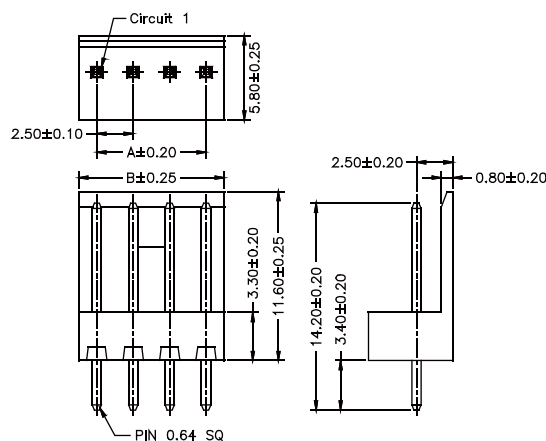


Part No.:2500H-XXW-L

No. of Contacts	Dimensions	
	A	B
2	2.50	5.00
3	5.00	7.50
4	7.50	10.00
5	10.00	12.50
6	12.50	15.00
7	15.00	17.50
8	17.50	20.00
9	20.00	22.50
10	22.50	25.00
11	25.00	27.50
12	27.50	30.00
13	30.00	32.50
14	32.50	35.00
15	35.00	37.50



Part No.:2500R-XXTW-L

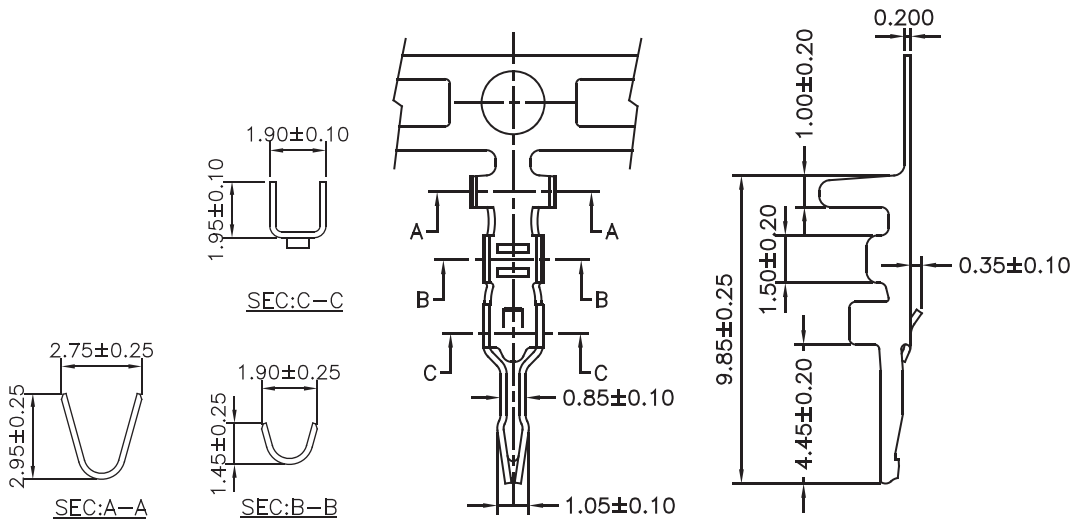


Part No.:2500S-XXTW-L



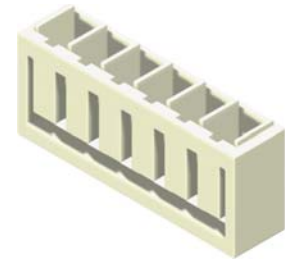
2.5mm Terminal / Housing

Specifications
 Current Rating: 3A AC,DC
 Voltage Rating: 250V AC,DC
 Temperature Range: -25°C to +85°C
 Contact Resistance: 10mΩ Max
 Insulation Resistance: 1000MΩ Min
 Withstanding Voltage: 800V AC/minute
 Material: Nylon 66, UL94V-0

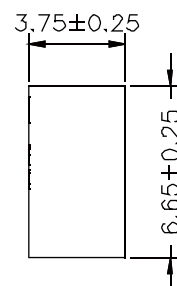
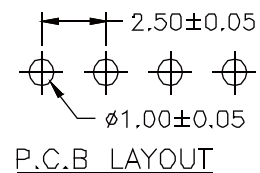
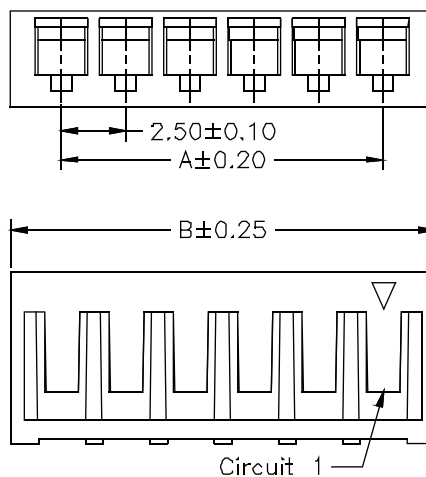


Wire Range	Insulation O.D.	Material	Finish
#22-#28	1.70mm(Max)	Brass	Tin Plated

Part No.:2501-T-L



No. of Contacts	Dimensions	
	A	B
2	2.50	6.50
3	5.00	9.00
4	7.50	11.50
5	10.00	14.00
6	12.50	16.50
7	15.00	19.00
8	17.50	21.50
9	20.00	24.00
10	22.50	26.50
11	25.00	29.00
12	27.50	31.50
13	30.00	34.00
14	32.50	36.50
15	35.00	39.00
16	37.50	41.50



Part No.:2501H-XXW-L

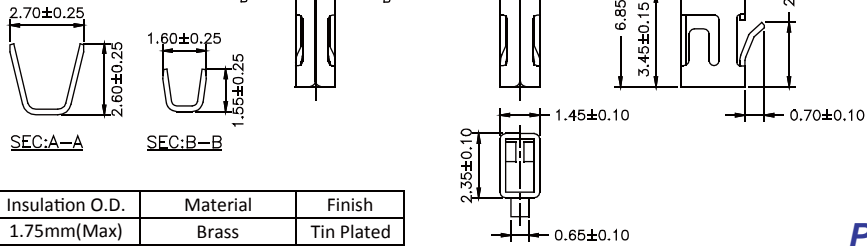
Housing Wafer Terminal



ROHS

2.5mm Terminal / Housing / Wafer R/A / Straight Type

Specifications
 Current Rating: 3A AC,DC
 Voltage Rating: 250V AC,DC
 Temperature Range: -25°C to +85°C
 Contact Resistance: 10mΩ Max
 Insulation Resistance: 1000MΩ Min
 Withstanding Voltage: 800V AC/minute
 Terminal: Brass / Tin Plated
 Material: Nylon 66, UL94V-2

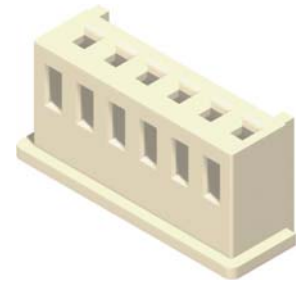
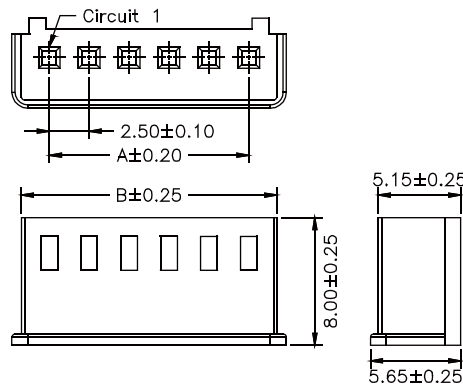


Wire Range	Insulation O.D.	Material	Finish
#22-#28	1.75mm(Max)	Brass	Tin Plated



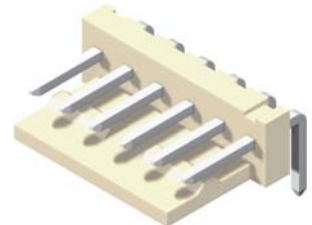
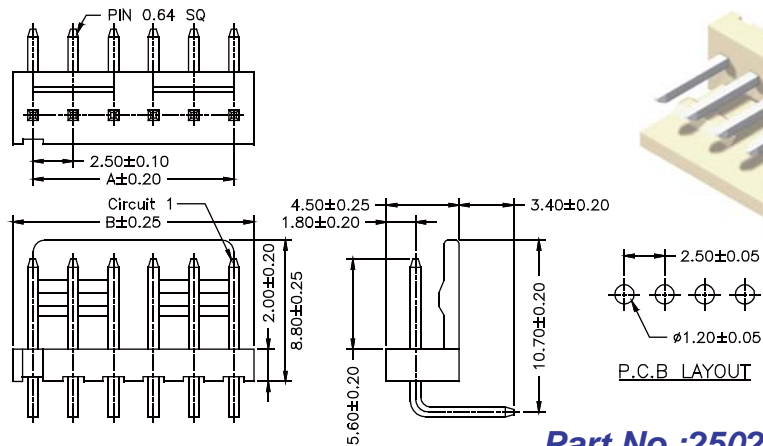
Part No.:2502-T-L

No. of Contacts	Dimensions		No. of Contacts	Dimensions	
	A	B		A	B
2	2.50	6.00	12	27.50	31.00
3	5.00	8.50	13	30.00	33.50
4	7.50	11.00	14	32.50	36.00
5	10.00	13.50	15	35.00	38.50
6	12.50	16.00	16	37.50	41.00
7	15.00	18.50	17	40.00	43.50
8	17.50	21.00	18	42.50	46.00
9	20.00	23.50	19	45.00	48.50
10	22.50	26.00	20	47.50	51.00
11	25.00	28.50			

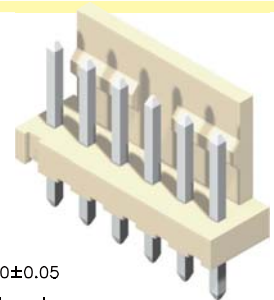
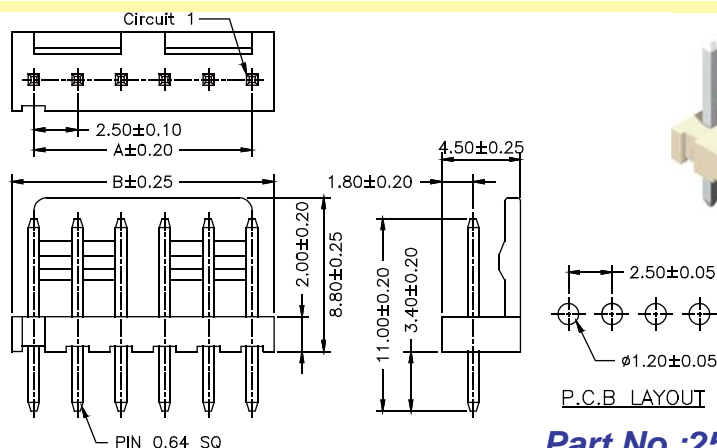


Part No.:2502H-XXW-L

No. of Contacts	Dimensions	
	A	B
2	2.50	5.00
3	5.00	7.50
4	7.50	10.00
5	10.00	12.50
6	12.50	15.00
7	15.00	17.50
8	17.50	20.00
9	20.00	22.50
10	22.50	25.00
11	25.00	27.50
12	27.50	30.00
13	30.00	32.50
14	32.50	35.00
15	35.00	37.50
16	37.50	40.00
17	40.00	42.50
18	42.50	45.00
19	45.00	47.50
20	47.50	50.00



Part No.:2502R-XXTW-L



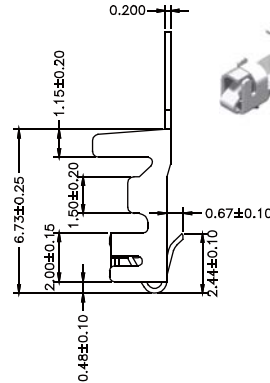
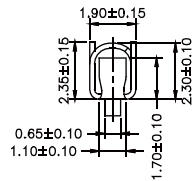
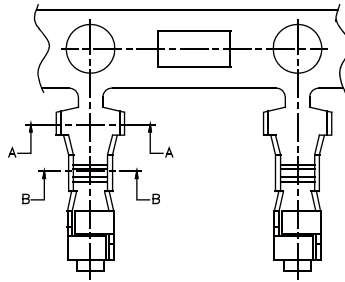
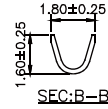
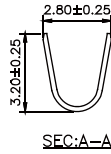
Part No.:2502S-XXTW-L

CONNECTORS MANUFACTURER



2.5mm Terminal / Housing / Wafer R/A / Straight Type

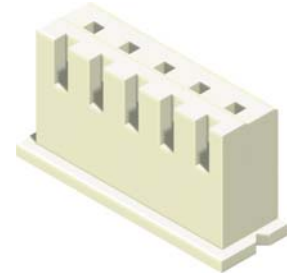
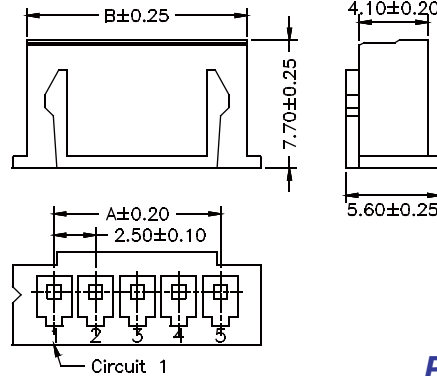
Specifications
 Current Rating: 3A AC,DC
 Voltage Rating: 250V AC,DC
 Temperature Range: -25°C to +85°C
 Contact Resistance: 10mΩ Max
 Insulation Resistance: 1000MΩ Min
 Withstanding Voltage: 1000V AC/minute
 Terminal: Brass / Tin Plated
 Material: Nylon 66, UL94V-0



Part No.	Wire Range	Insulation O.D.	Material	Finish
2503-TTB-L	#22-#28	1.90mm(Max)	Brass	Tin Plated
2503-TTP-L	#22-#28	1.90mm(Max)	Phosphor Bronze	

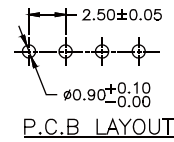
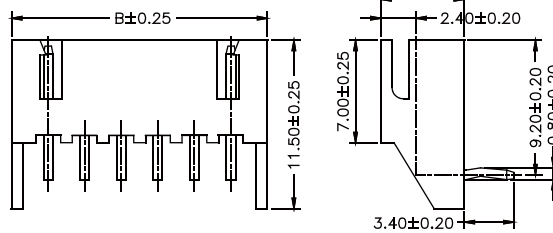
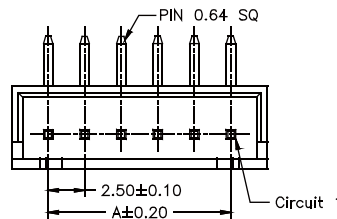
Part No.:2503-T-L

No. of Contacts	Dimensions		No. of Contacts	Dimensions	
	A	B		A	B
2	2.50	5.70	12	27.50	30.70
3	5.00	8.20	13	30.00	33.20
4	7.50	10.70	14	32.50	35.70
5	10.00	13.20	15	35.00	38.20
6	12.50	15.70	16	37.50	40.70
7	15.00	18.20	17	40.00	43.20
8	17.50	20.70	18	42.50	45.70
9	20.00	23.20	19	45.00	48.20
10	22.50	25.70	20	47.50	50.70
11	25.00	28.20			

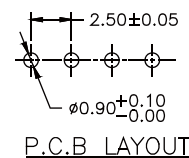
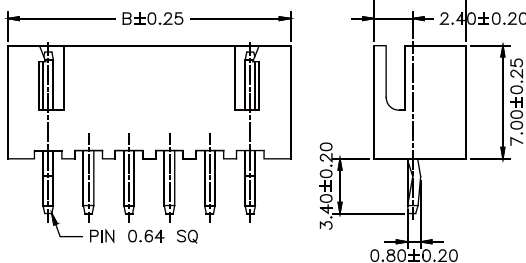
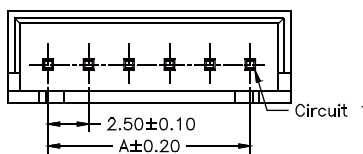


Part No.:2503H-XXW-L

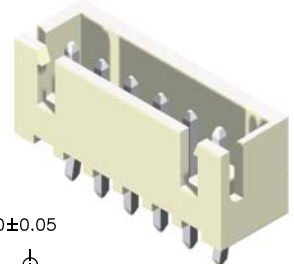
No. of Contacts	Dimensions	
	A	B
2	2.50	7.50
3	5.00	10.00
4	7.50	12.50
5	10.00	15.00
6	12.50	17.50
7	15.00	20.00
8	17.50	22.50
9	20.00	25.00
10	22.50	27.50
11	25.00	30.00
12	27.50	32.50
13	30.00	35.00
14	32.50	37.50
15	35.00	40.00
16	37.50	42.50
17	40.00	45.00
18	42.50	47.50
19	45.00	50.00
20	47.50	52.50



Part No.:2503R-XXTW-L



Part No.:2503S-XXTW-L



Housing Wafer Terminal

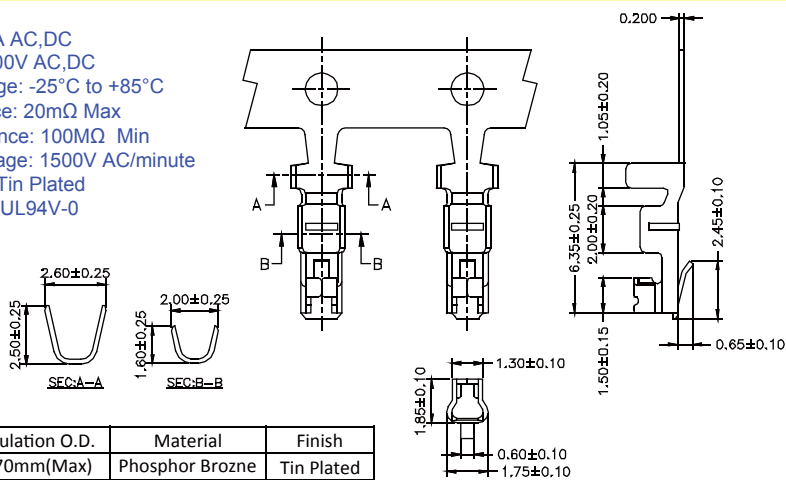


ROHS

CONNECTOR MANUFACTURER

2.5mm Terminal / Housing / Wafer R/A / Straight Type

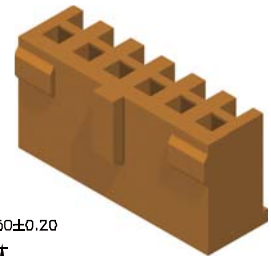
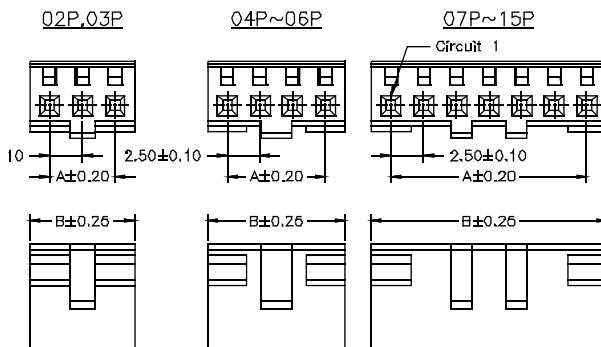
Specifications
 Current Rating: 3A AC,DC
 Voltage Rating: 500V AC,DC
 Temperature Range: -25°C to +85°C
 Contact Resistance: 20mΩ Max
 Insulation Resistance: 100MΩ Min
 Withstanding Voltage: 1500V AC/minute
 Terminal: Brass / Tin Plated
 Material: Nylon 66, UL94V-0



Wire Range	Insulation O.D.	Material	Finish
#22-#28	1.70mm(Max)	Phosphor Bronze	Tin Plated

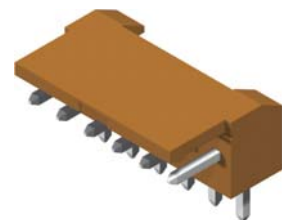
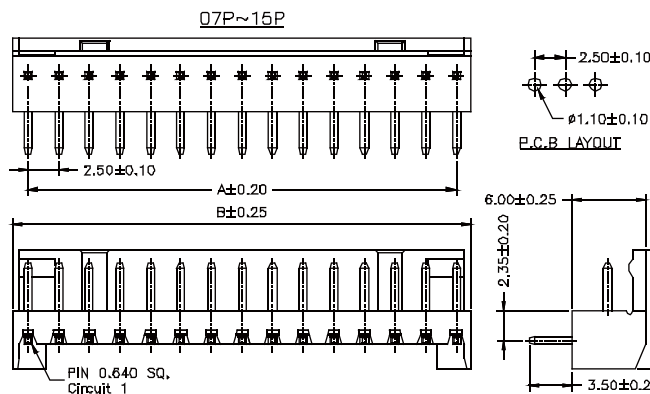
Part No.:2504-T-L

No. of Contacts	Dimensions	
	A	B
2	2.50	5.50
3	5.00	8.00
4	7.50	10.50
5	10.00	13.00
6	12.50	15.50
7	15.00	18.00
8	17.50	20.50
9	20.00	23.00
10	22.50	25.50
11	25.00	28.00
12	27.50	30.50
13	30.00	33.00
14	32.50	35.50
15	35.00	38.00

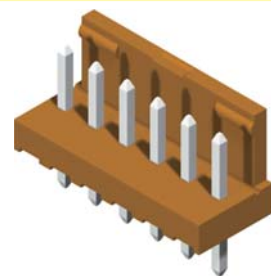
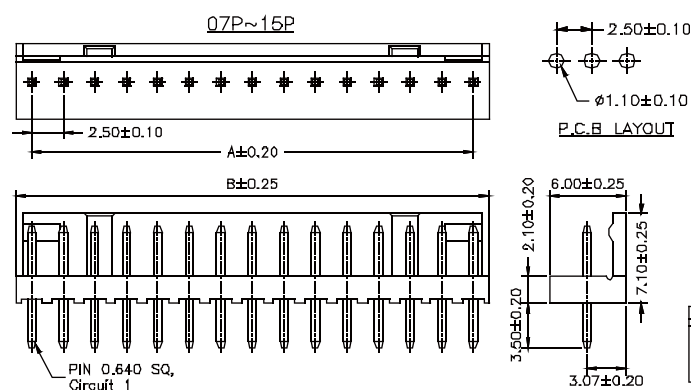


Part No.:2504H-XXR-L

No. of Contacts	Dimensions	
	A	B
2	2.50	5.00
3	5.00	7.50
4	7.50	10.00
5	10.00	12.50
6	12.50	15.00
7	15.00	17.50
8	17.50	20.00
9	20.00	22.50
10	22.50	25.00
11	25.00	27.50
12	27.50	30.00
13	30.00	32.50
14	32.50	35.00
15	35.00	37.50



Part No.:2504R-XXTR-L

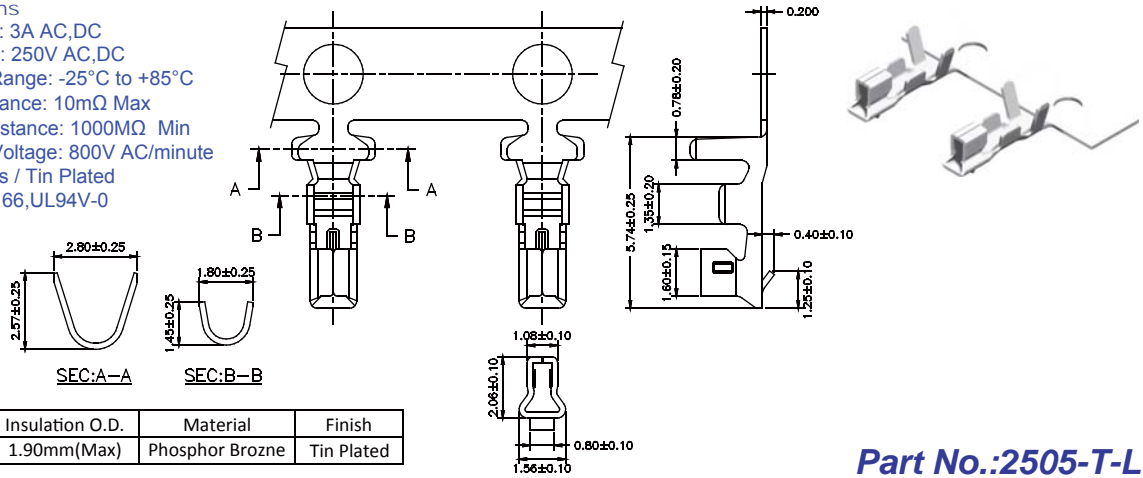


Part No.:2504S-XXTR-L



2.5mm Terminal / Housing / Wafer R/A / Straight Type

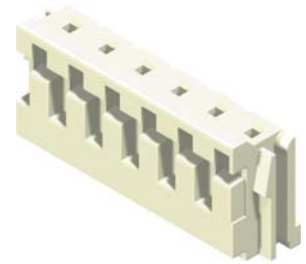
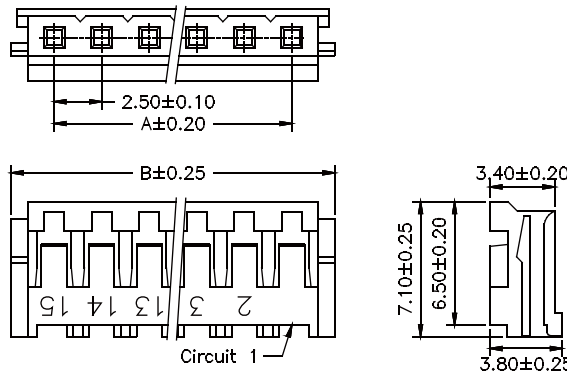
Specifications
 Current Rating: 3A AC,DC
 Voltage Rating: 250V AC,DC
 Temperature Range: -25°C to +85°C
 Contact Resistance: 10mΩ Max
 Insulation Resistance: 1000MΩ Min
 Withstanding Voltage: 800V AC/minute
 Terminal: Brass / Tin Plated
 Material: Nylon 66, UL94V-0



Wire Range	Insulation O.D.	Material	Finish
#22-#30	1.90mm(Max)	Phosphor Bronze	Tin Plated

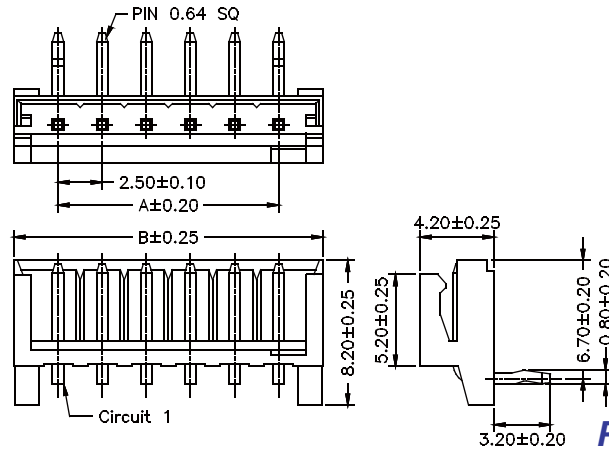
Part No.:2505-T-L

No. of Contacts	Dimensions	
	A	B
2	2.50	7.00
3	5.00	9.50
4	7.50	12.00
5	10.00	14.50
6	12.50	17.00
7	15.00	19.50
8	17.50	22.00
9	20.00	24.50
10	22.50	27.00
11	25.00	29.50
12	27.50	32.00
13	30.00	34.50
14	32.50	37.00
15	35.00	39.50

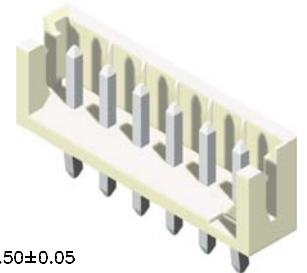
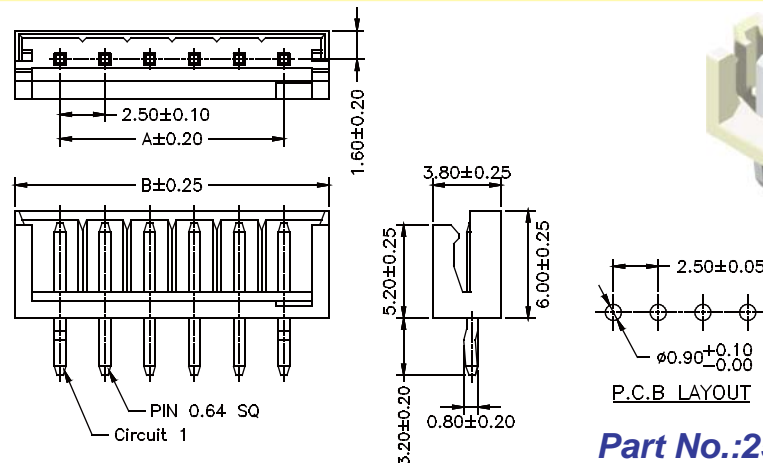


Part No.:2505H-XXW-L

No. of Contacts	Dimensions	
	A	B
2	2.50	7.50
3	5.00	10.00
4	7.50	12.50
5	10.00	15.00
6	12.50	17.50
7	15.00	20.00
8	17.50	22.50
9	20.00	25.00
10	22.50	27.50
11	25.00	30.00
12	27.50	32.50
13	30.00	35.00
14	32.50	37.50
15	35.00	40.00



Part No.:2505R-XXTW-L



Part No.:2505S-XXTW-L

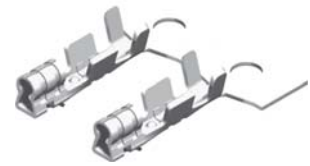
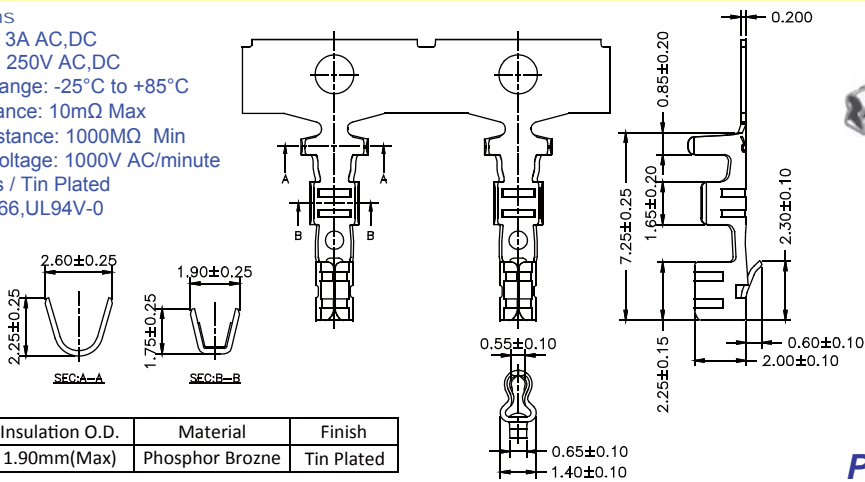
Housing Wafer Terminal



ROHS

2.5mm Terminal / Housing / Wafer R/A / Straight Type

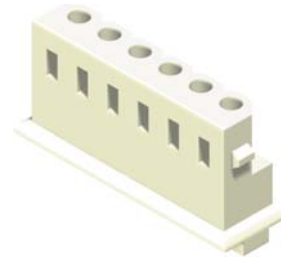
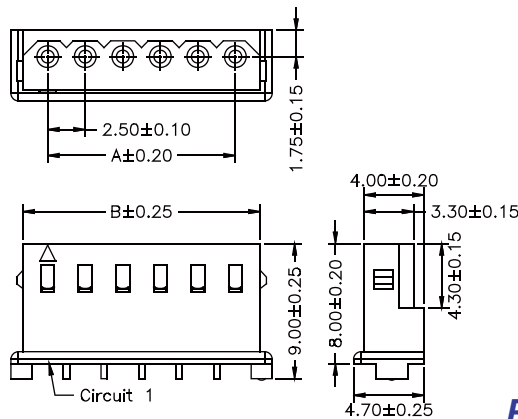
Specifications
 Current Rating: 3A AC,DC
 Voltage Rating: 250V AC,DC
 Temperature Range: -25°C to +85°C
 Contact Resistance: 10mΩ Max
 Insulation Resistance: 1000MΩ Min
 Withstanding Voltage: 1000V AC/minute
 Terminal: Brass / Tin Plated
 Material: Nylon 66, UL94V-0



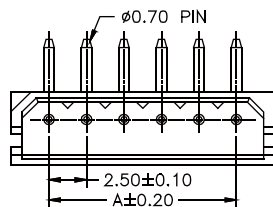
Wire Range	Insulation O.D.	Material	Finish
#22-#28	1.90mm(Max)	Phosphor Bronze	Tin Plated

Part No.:2506-T-L

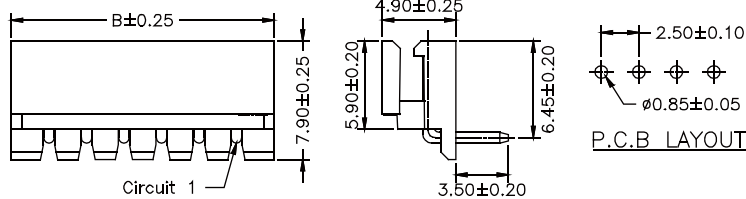
No. of Contacts	Dimensions	
	A	B
2	2.50	5.80
3	5.00	8.30
4	7.50	10.80
5	10.00	13.30
6	12.50	15.80
7	15.00	18.30
8	17.50	20.80
9	20.00	23.30
10	22.50	25.80
11	25.00	28.30
12	27.50	30.80
13	30.00	33.30
14	32.50	35.80
15	35.00	38.30
16	37.50	40.80



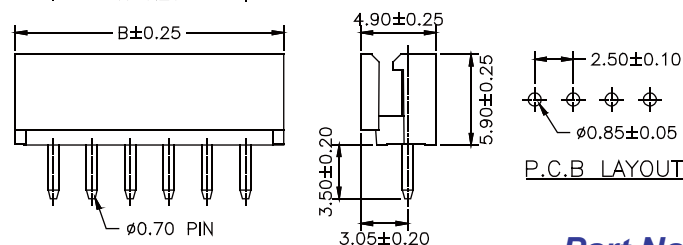
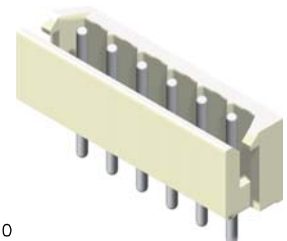
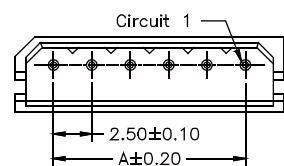
Part No.:2506H-XXW-L



No. of Contacts	Dimensions	
	A	B
2	2.50	7.50
3	5.00	10.00
4	7.50	12.50
5	10.00	15.00
6	12.50	17.50
7	15.00	20.00
8	17.50	22.50
9	20.00	25.00
10	22.50	27.50
11	25.00	30.00
12	27.50	32.50
13	30.00	35.00
14	32.50	37.50
15	35.00	40.00
16	37.50	42.50



Part No.:2506R-XXTW-L

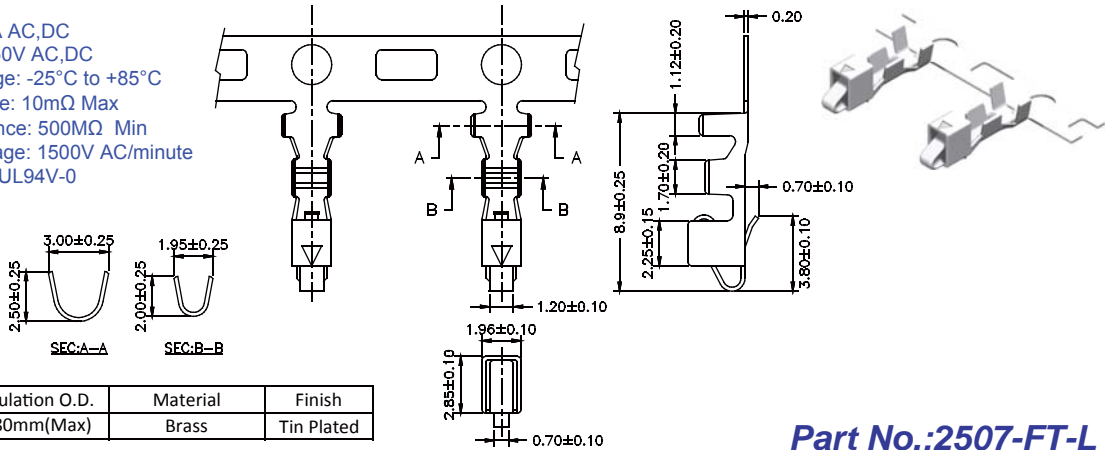


Part No.:2506S-XXTW-L



2.5mm Female & Male Terminal / Female & Male Housing

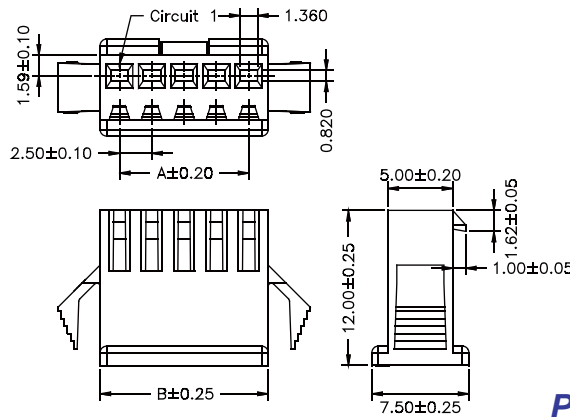
Specifications
 Current Rating: 3A AC,DC
 Voltage Rating: 250V AC,DC
 Temperature Range: -25°C to +85°C
 Contact Resistance: 10mΩ Max
 Insulation Resistance: 500MΩ Min
 Withstanding Voltage: 1500V AC/minute
 Material: Nylon 66,UL94V-0



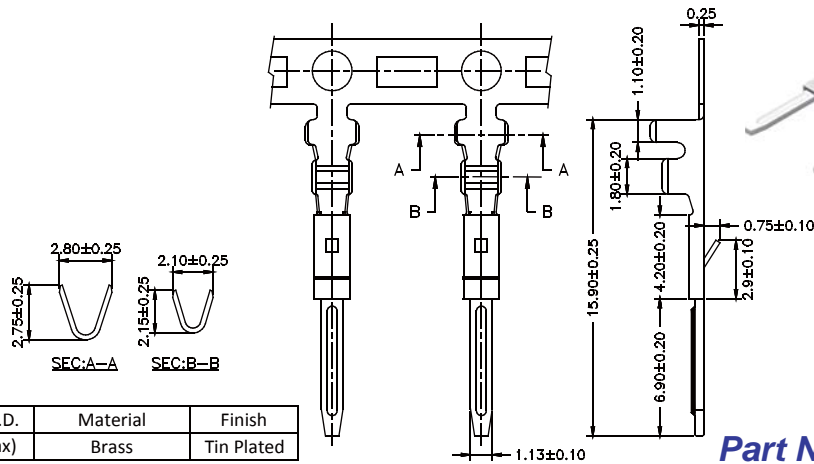
Wire Range	Insulation O.D.	Material	Finish
#22-#28	1.80mm(Max)	Brass	Tin Plated

Part No.:2507-FT-L

No. of Contacts	Dimensions	
	A	B
2	2.50	5.50
3	5.00	8.00
4	7.50	10.50
5	10.00	13.00
6	12.50	15.50
7	15.00	18.00
8	17.50	20.50
9	20.00	23.00
10	22.50	25.50
11	25.00	28.00
12	27.50	30.50



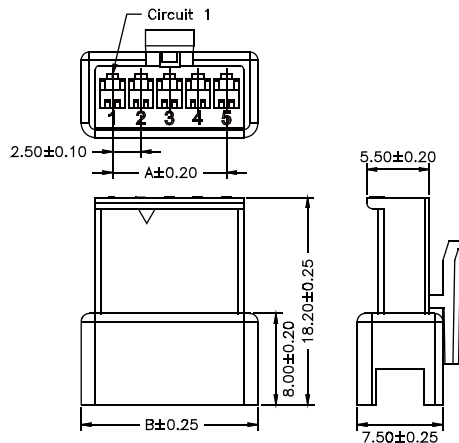
Part No.:2507H-FXXB-L



Wire Range	Insulation O.D.	Material	Finish
#22-#28	1.80mm(Max)	Brass	Tin Plated

Part No.:2507-MT-L

No. of Contacts	Dimensions	
	A	B
2	2.50	8.00
3	5.00	10.50
4	7.50	13.00
5	10.00	15.50
6	12.50	18.00
7	15.00	20.50
8	17.50	23.00
9	20.00	25.50
10	22.50	28.00
11	25.00	30.50
12	27.50	33.00



Part No.:2507H-MXXB-L

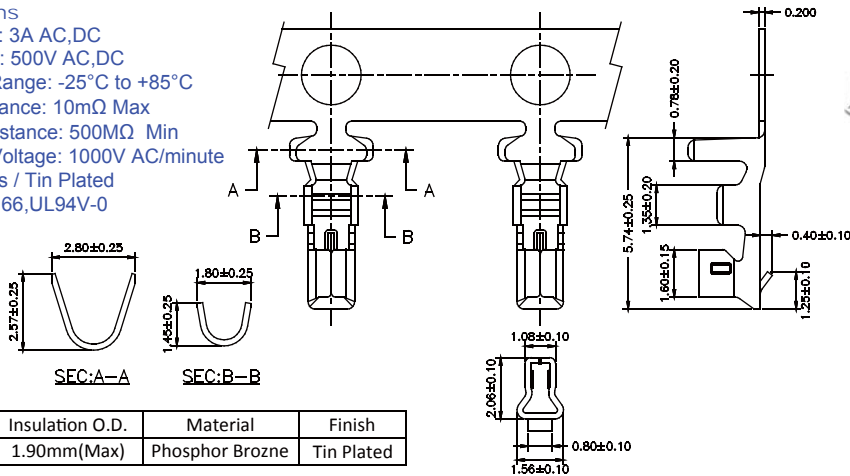
Housing Wafer Terminal



ROHS

2.5mm Terminal / Housing / Wafer R/A / Straight Type

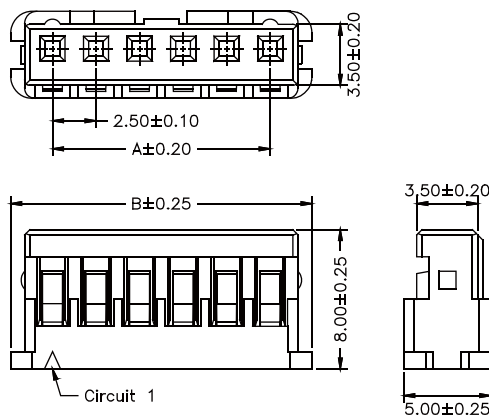
Specifications
 Current Rating: 3A AC,DC
 Voltage Rating: 500V AC,DC
 Temperature Range: -25°C to +85°C
 Contact Resistance: 10mΩ Max
 Insulation Resistance: 500MΩ Min
 Withstanding Voltage: 1000V AC/minute
 Terminal: Brass / Tin Plated
 Material: Nylon 66,UL94V-0



Wire Range	Insulation O.D.	Material	Finish
#22-#30	1.90mm(Max)	Phosphor Bronze	Tin Plated

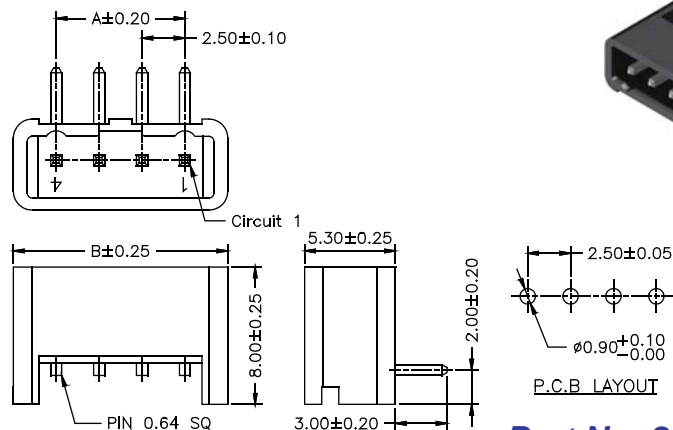
Part No.:2505-T-L

No. of Contacts	Dimensions	
	A	B
2	2.50	7.30
3	5.00	9.80
4	7.50	12.30
5	10.00	14.80
6	12.50	17.30
7	15.00	19.80
8	17.50	22.30
9	20.00	24.80
10	22.50	27.30
11	25.00	29.80
12	27.50	32.30
13	30.00	34.80
14	32.50	37.30
15	35.00	39.80



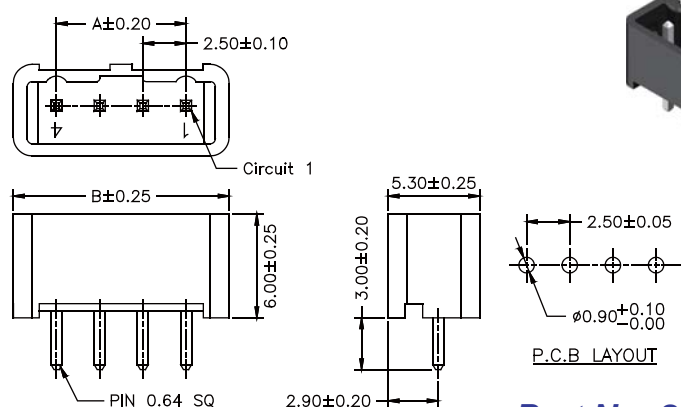
Part No.:2508H-XXB-L

No. of Contacts	Dimensions	
	A	B
2	2.50	7.50
3	5.00	10.00
4	7.50	12.50
5	10.00	15.00
6	12.50	17.50
7	15.00	20.00
8	17.50	22.50
9	20.00	25.00
10	22.50	27.50
11	25.00	30.00
12	27.50	32.50
13	30.00	35.00
14	32.50	37.50
15	35.00	40.00



Part No.:2508R-XXTB-L

No. of Contacts	Dimensions	
	A	B
2	2.50	7.50
3	5.00	10.00
4	7.50	12.50
5	10.00	15.00
6	12.50	17.50
7	15.00	20.00
8	17.50	22.50
9	20.00	25.00
10	22.50	27.50
11	25.00	30.00
12	27.50	32.50
13	30.00	35.00
14	32.50	37.50
15	35.00	40.00

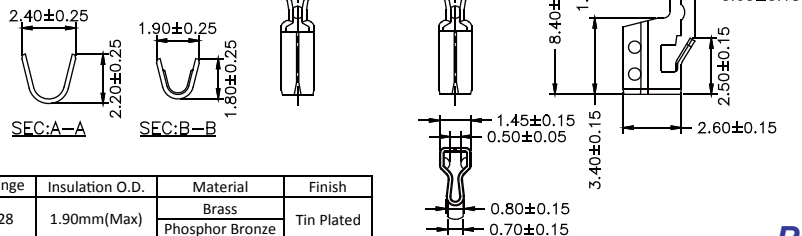


Part No.:2508S-XXTB-L



2.5mm Female & Male Terminal / Female & Male Housing

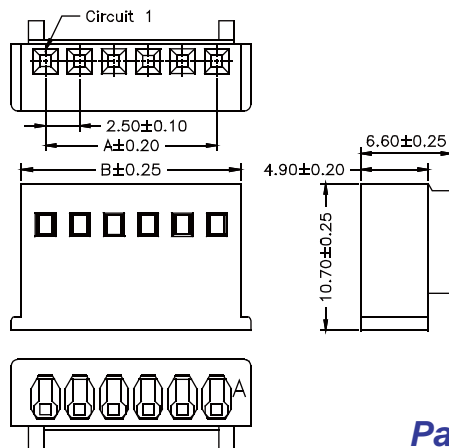
Specifications
 Current Rating: 3A AC,DC
 Voltage Rating: 250V AC,DC
 Temperature Range: -25°C to +85°C
 Contact Resistance: 20mΩ Max
 Insulation Resistance: 1000MΩ Min
 Withstanding Voltage: 1500V AC/minute
 Material:Nylon 66, UL94V-0



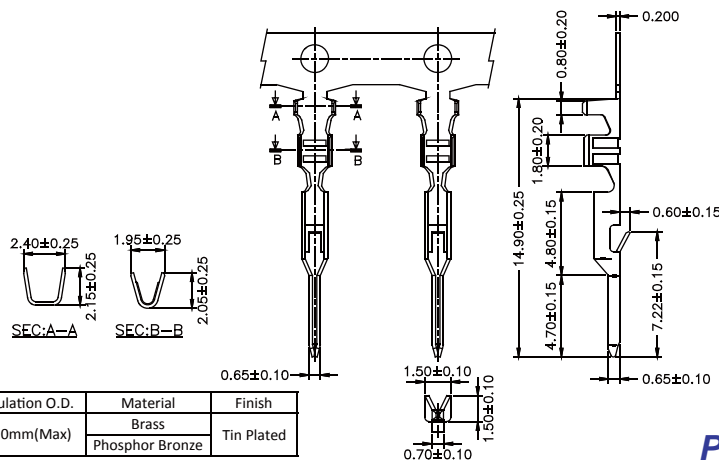
Part No.	Wire Range	Insulation O.D.	Material	Finish
2509-FTB-L	#22-#28	1.90mm(Max)	Brass	Tin Plated
2509-FTP-L			Phosphor Bronze	

Part No.:2509-FT-L

No. of Contacts	Dimensions		
	A	B	C
2	2.50	8.60	5.80
3	5.00	11.10	8.30
4	7.50	13.60	10.80
5	10.00	16.10	13.30
6	12.50	18.60	15.80
7	15.00	21.10	18.30
8	17.50	23.60	20.80
9	20.00	26.10	23.30
10	22.50	28.60	25.80
11	25.00	31.10	28.30
12	27.50	33.60	30.80
13	30.00	36.10	33.30
14	32.50	38.60	35.80
15	35.00	41.10	38.30
16	37.50	43.60	40.80



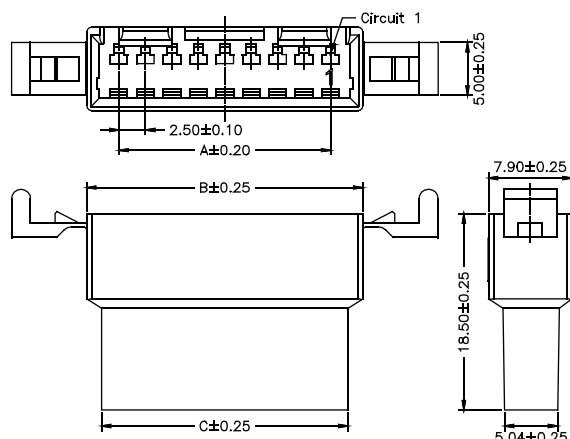
Part No.:2509H-FXXW-L



Part No.	Wire Range	Insulation O.D.	Material	Finish
2509-MTB-L	#22-#28	1.90mm(Max)	Brass	Tin Plated
2509-MTP-L			Phosphor Bronze	

Part No.:2509-MT-L

No. of Contacts	Dimensions	
	A	B
2	2.50	6.00
3	5.00	8.50
4	7.50	11.00
5	10.00	13.50
6	12.50	16.00
7	15.00	18.50
8	17.50	21.00
9	20.00	23.50
10	22.50	26.00
11	25.00	28.50
12	27.50	31.00
13	30.00	33.50
14	32.50	36.00
15	35.00	38.50
16	37.50	41.00



Part No.:2509H-MXXW-L

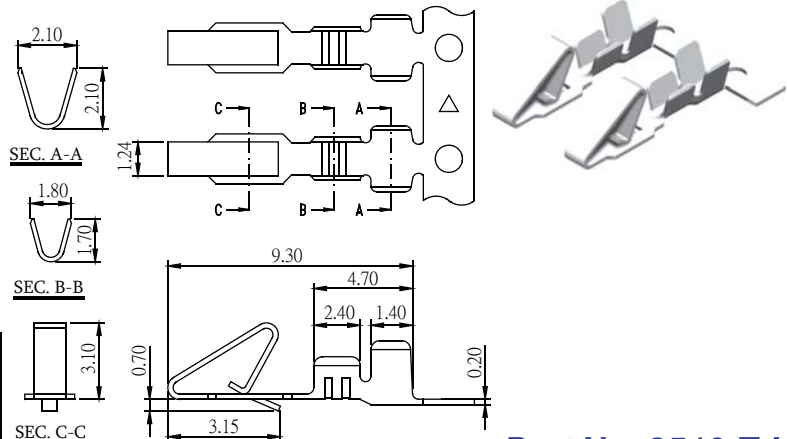
Housing Wafer Terminal



ROHS

2.5mm Terminal / Housing / Wafer R/A / Straight Type

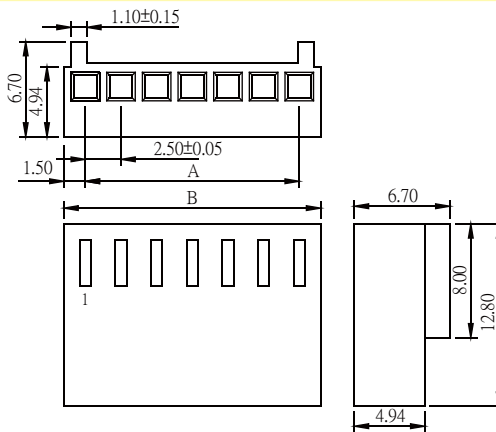
Specifications
 Current Rating: 3A AC,DC
 Voltage Rating: 250V AC,DC
 Temperature Range: -40°C to +105°C
 Contact Resistance: 20mΩ Max
 Insulation Resistance: 1000MΩ Min
 Withstanding Voltage: 1500V AC/minute
 Terminal: Brass / Tin Plated
 Material: Housing: Nylon 66, UL94V-0
 Wafer: P.B.T, UL94V-0



Part No.	Wire Range	Material	Finish
2510-TTB-L	#22-#28	Brass	Tin Plated
2510-TTP-L		Phosphor Bronze	Tin Plated
2510-GTB-L		Brass	Gold Plated
2510-GTP-L		Phosphor Bronze	Gold Plated

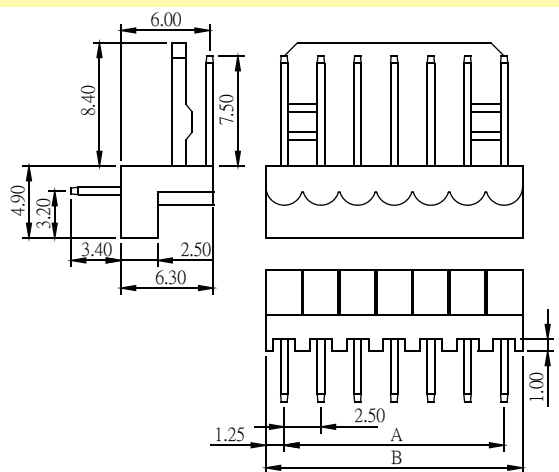
Part No.:2510-T-L

No. of Contacts	Dimensions		No. of Contacts	Dimensions	
	A	B		A	B
2	2.50	5.50	12	27.50	30.50
3	5.00	8.00	13	30.00	33.00
4	7.50	10.50	14	32.50	35.50
5	10.00	13.00	15	35.00	38.00
6	12.50	15.50	16	37.50	40.50
7	15.00	18.00	17	40.00	43.00
8	17.50	20.50	18	42.50	45.50
9	20.00	23.00	19	45.00	48.00
10	22.50	25.50	20	47.50	50.50
11	25.00	28.00			



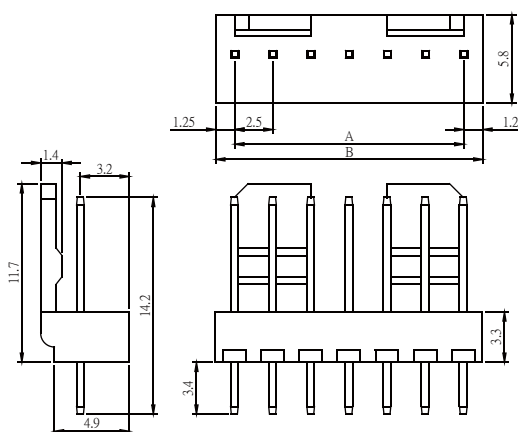
Part No.:2510H-XXW-L

No. of Contacts	Dimensions	
	A	B
2	2.50	5.00
3	5.00	7.50
4	7.50	10.00
5	10.00	12.50
6	12.50	15.00
7	15.00	17.50
8	17.50	20.00
9	20.00	22.50
10	22.50	25.00
11	25.00	27.50
12	27.50	30.00
13	30.00	32.50
14	32.50	35.00
15	35.00	37.50
16	37.50	40.00
17	40.00	42.50
18	42.50	45.00
19	45.00	47.50
20	47.50	50.00



P.C.B. Layout

Part No.:2510R-XXTW-L



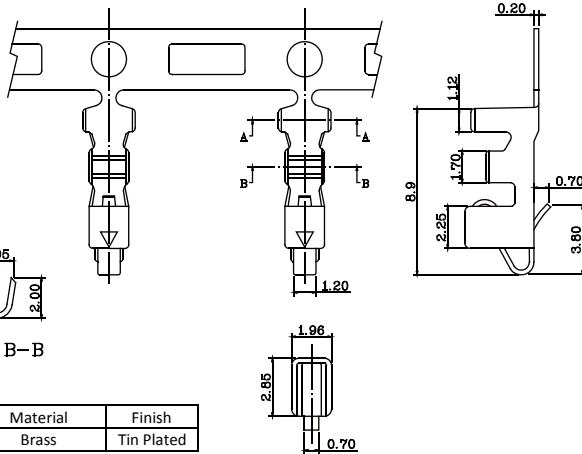
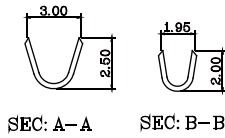
P.C.B. Layout

Part No.:2510S-XXTW-L



2.5mm Terminal / Housing / Wafer Right Angle & Straight Type

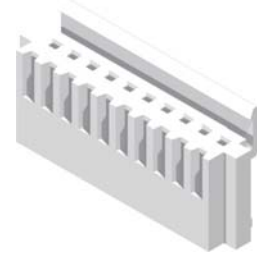
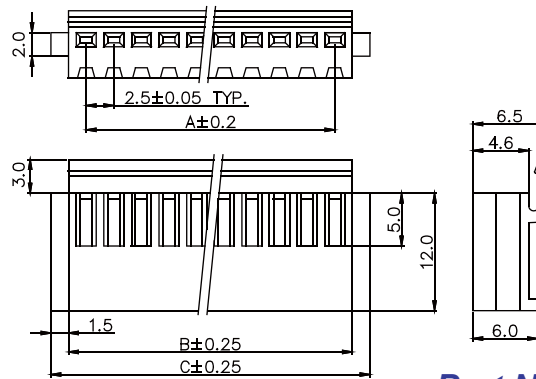
Specifications
 Current Rating: 3A AC,DC
 Voltage Rating: 250V AC,DC
 Temperature Range: -25°C to +85°C
 Contact Resistance: 20mΩ Max
 Insulation Resistance: 500MΩ Min
 Withstanding Voltage: 1500V AC/minute
 Terminal: Brass / Tin Plated
 Material: Nylon 66, UL94V-0



Part No.	Wire Range	Insulation O.D.	Material	Finish
2515-T-L	#22-#28	1.6~1.2mm(Max)	Brass	Tin Plated

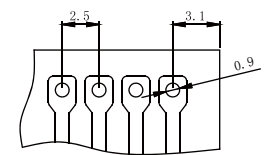
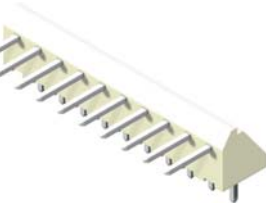
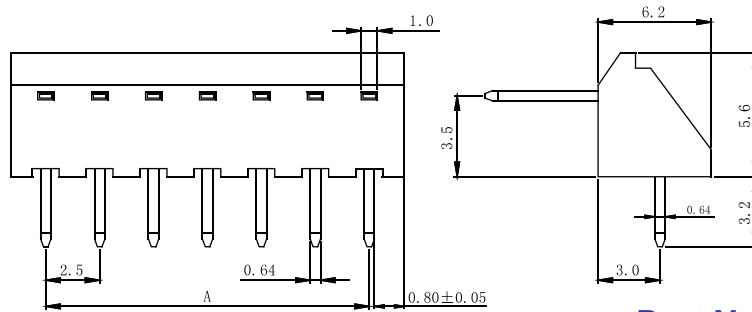
Part No.:2515-T-L

No. of Contacts	Dimensions			No. of Contacts	Dimensions		
	A	B	C		A	B	C
2	2.50	5.70	8.70	12	27.50	30.70	33.70
3	5.00	8.20	11.20	13	30.00	33.20	36.20
4	7.50	10.70	13.70	14	32.50	35.70	38.70
5	10.00	13.20	16.20	15	35.00	38.20	41.20
6	12.50	15.70	18.70	16	37.50	40.70	43.70
7	15.00	18.20	21.20	17	40.00	43.20	46.20
8	17.50	20.70	23.70	18	42.50	45.70	48.70
9	20.00	23.20	26.20	19	45.00	48.20	51.20
10	22.50	25.70	28.70	20	47.50	50.70	53.70
11	25.00	28.20	31.20				

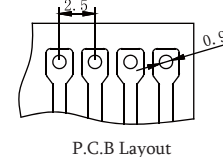
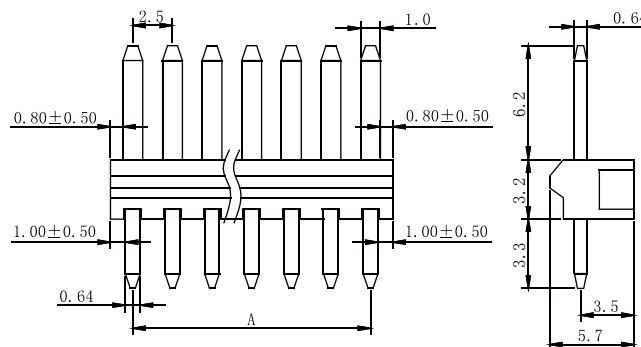


Part No.:2515H-XXW-L

No. of Contacts	Dimensions
	A
2	2.50
3	5.00
4	7.50
5	10.00
6	12.50
7	15.00
8	17.50
9	20.00
10	22.50
11	25.00
12	27.50
13	30.00
14	32.50
15	35.00
16	37.50
17	40.00
18	42.50
19	45.00
20	47.50



Part No.:2515R-XXTW-L



Part No.:2515S-XXTW-L

Housing Wafer Terminal

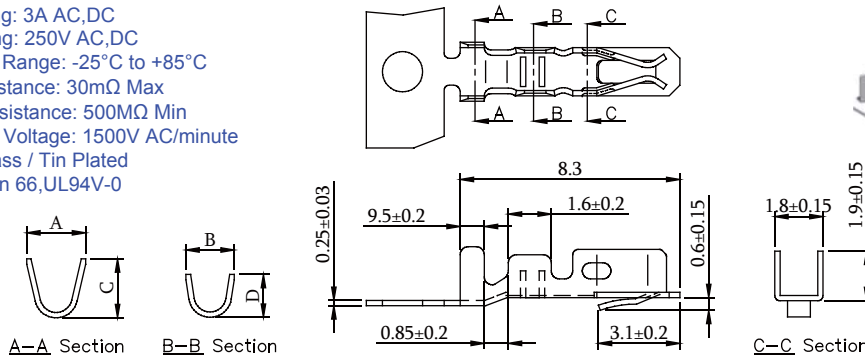


ROHS

CONNECTOR MANUFACTURER

2.5mm Terminal / Housing / Wafer Right Angle & Straight Type

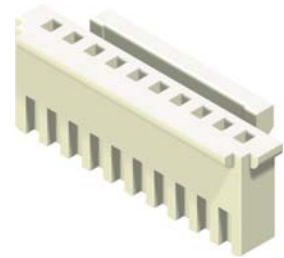
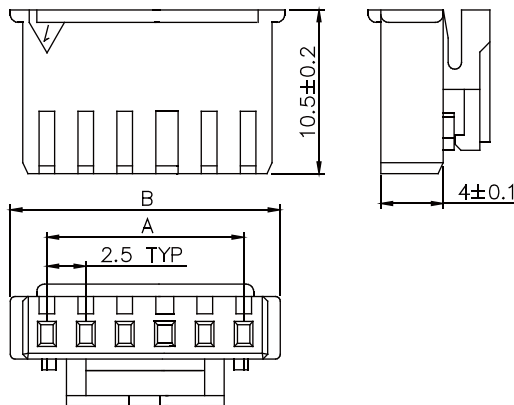
Specifications
 Current Rating: 3A AC,DC
 Voltage Rating: 250V AC,DC
 Temperature Range: -25°C to +85°C
 Contact Resistance: 30mΩ Max
 Insulation Resistance: 500MΩ Min
 Withstanding Voltage: 1500V AC/minute
 Terminal: Brass / Tin Plated
 Material: Nylon 66,UL94V-0



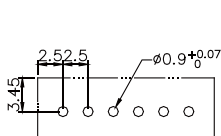
Part No.	Wire Range	Insulation O.D.	Material	Finish	A	B	C	D
2517-T-L	#22-#26	1.7~1.35mm(Max)	Phosphor Bronze	Gold Plated	2.30	1.90	2.25	1.65
2517-T-A-L	#28-#30	1.2~1.05mm(Max)			2.05	1.40	2.05	1.30

Part No.:2517-T-L

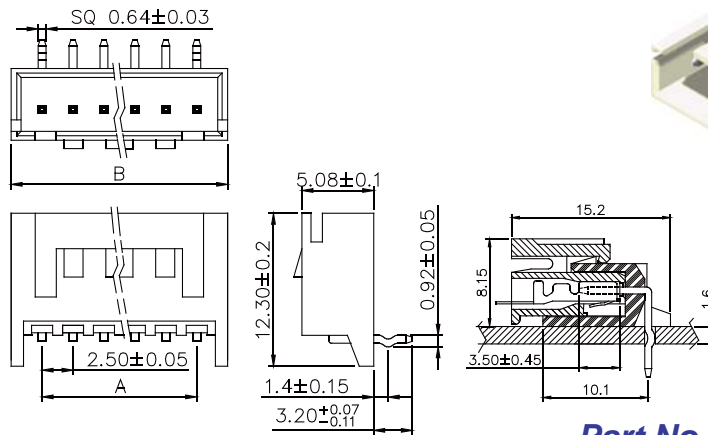
No. of Contacts	Dimensions	
	A	B
2	2.50	7.10
3	5.00	9.60
4	7.50	12.10
5	10.00	14.60
6	12.50	17.10
7	15.00	19.60
8	17.50	22.10
9	20.00	24.60
10	22.50	27.10
11	25.00	29.60
12	27.50	32.10
13	30.00	34.60
14	32.50	37.10
15	35.00	39.60



Part No.:2517H-XXW-L

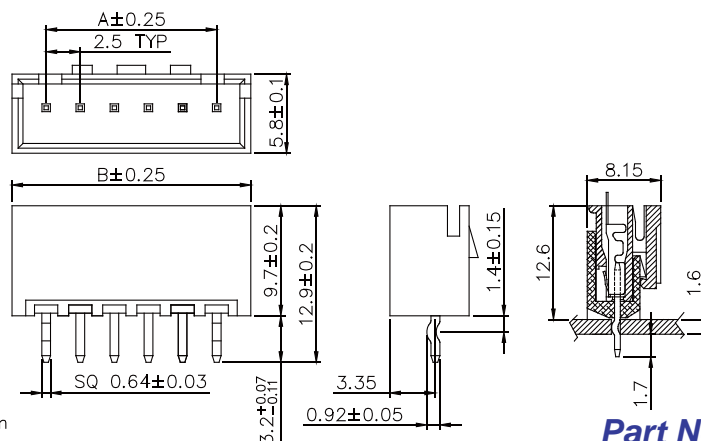


Applicable P.C.B Thickness: 1.6mm

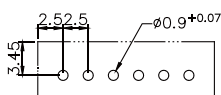


Part No.:2517R-XXTW-L

No. of Contacts	A	B
2	2.50	7.50
3	5.00	10.00
4	7.50	12.50
5	10.00	15.00
6	12.50	17.50
7	15.00	20.00
8	17.50	22.50
9	20.00	25.00
10	22.50	27.50
11	25.00	30.00
12	27.50	32.50
13	30.00	35.00
14	32.50	37.50
15	35.00	40.00



Part No.:2517S-XXTW-L



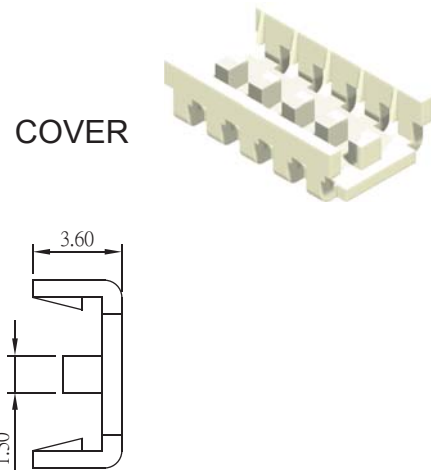
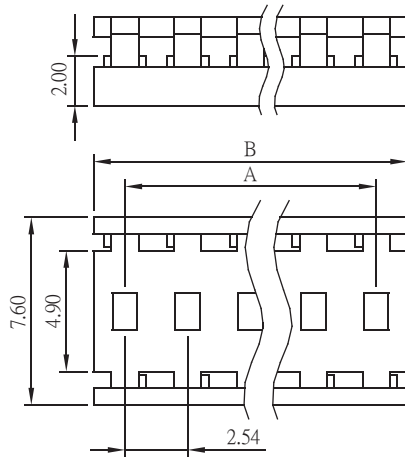
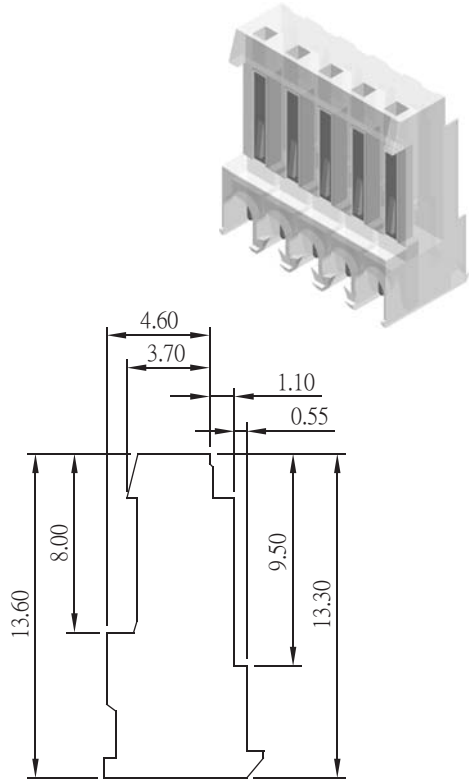
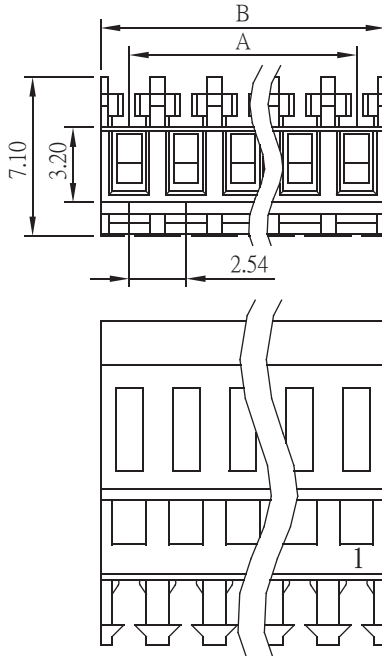
Applicable P.C.B Thickness: 1.6mm



2.54mm Housing IDC Type & Cover

Specifications
 Current Rating: 3A AC,DC
 Voltage Rating: 250V AC,DC
 Temperature Range: -40°C to +105°C
 Contact Resistance: 20mΩ Max
 Insulation Resistance: 1000MΩ Min
 Withstanding Voltage: 1000V AC/minute
 Terminal: Copper Alloy / Tin Plated
 Material: Nylon 66, UL94V-0

No. of Contacts	Dimensions	
	A	B
2	2.54	5.08
3	5.08	7.62
4	7.62	10.16
5	10.16	12.70
6	12.70	15.24
7	15.24	17.78
8	17.78	20.32
9	20.32	22.86
10	22.86	25.40
11	25.40	27.94
12	27.94	30.48
13	30.48	33.02
14	33.02	35.56
15	35.56	38.10
16	38.10	40.64
17	40.64	43.18
18	43.18	45.72
19	45.72	48.26
20	48.26	50.80
21	50.80	53.34
22	53.34	55.88
23	55.88	58.42
24	58.42	60.96
25	60.96	63.50
26	63.50	66.04
27	66.04	68.58
28	68.58	71.12



Part No.:2540IDC-CXX-L

ORDER INFORMATION

2 5 4 0 I D C - X X X - L

⊙:Standard Recommend

No. of contacts per row (02-28)

⊙T: Tin Plated	
G: Gold Flash	S: Selective
GA: 5u"	SA: 5u"
GB: 10u"	SB: 10u"
GC: 20u"	SC: 20u"
GD: 30u"	SD: 30u"

W: Nylon natural
 B: Black insulator
 U: Blue insulator
 R: Red insulator
 G: Green insulator

22: 22 AWG
 24: 24 AWG
 26: 26 AWG
 28: 28 AWG

L: RoHS + Nylon 66

Housing Wafer Terminal

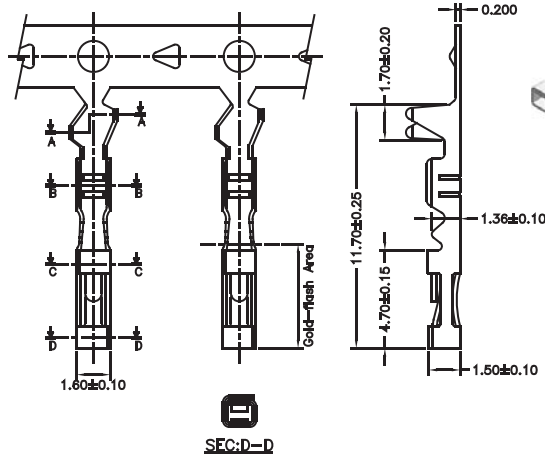


ROHS

AMTEK CONNECTORS MANUFACTURER

2.54mm Terminal / Housing

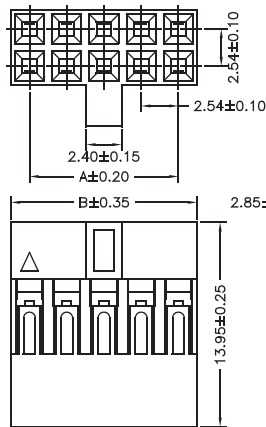
Specifications
 Current Rating: 3A AC,DC
 Voltage Rating: 250V AC,DC
 Temperature Range: -25°C to +85°C
 Contact Resistance: 20mΩ Max
 Insulation Resistance: 1000MΩ Min
 Withstanding Voltage: 1500V AC/minute
 Material: Nylon 66, UL94V-0



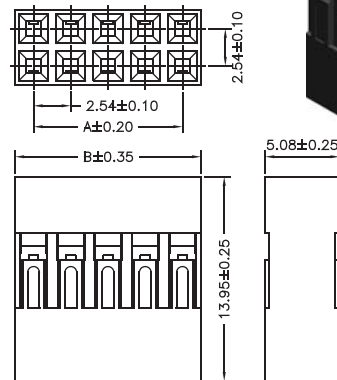
Part No.	Wire Range	Insulation O.D.	Material	Finish
2541-TGB-L	#22-#26	1.63mm(Max)	Brass	Gold Plated
2541-TGP-L			Phosphor Bronze	

Part No.:2541-T-L

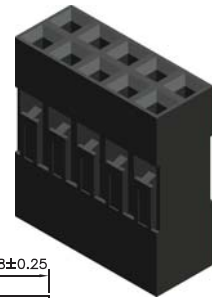
No. of Contacts	Dimensions		No. of Contacts	Dimensions	
	A	B		A	B
2x1	-	2.54	2x21	50.80	53.34
2x2	2.54	5.08	2x22	53.34	55.88
2x3	5.08	7.62	2x23	55.88	58.42
2x4	7.62	10.16	2x24	58.42	60.96
2x5	10.16	12.70	2x25	60.96	63.50
2x6	12.70	15.24	2x26	63.50	66.04
2x7	15.24	17.78	2x27	66.04	68.58
2x8	17.78	20.32	2x28	68.58	71.12
2x9	20.32	22.86	2x29	71.12	73.66
2x10	22.86	25.40	2x30	73.66	76.20
2x11	25.40	27.94	2x31	76.20	78.74
2x12	27.94	30.48	2x32	78.74	81.28
2x13	30.48	33.02	2x33	81.28	83.82
2x14	33.02	35.56	2x34	83.82	86.36
2x15	35.56	38.10	2x35	86.36	88.90
2x16	38.10	40.64	2x36	88.90	91.44
2x17	40.64	43.18	2x37	91.44	93.98
2x18	43.18	45.72	2x38	93.98	96.52
2x19	45.72	48.26	2x39	96.52	99.06
2x20	48.26	50.80	2x40	99.06	101.60



With Bump



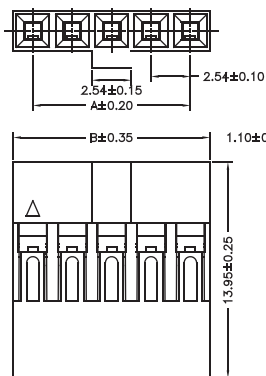
W/O Bump



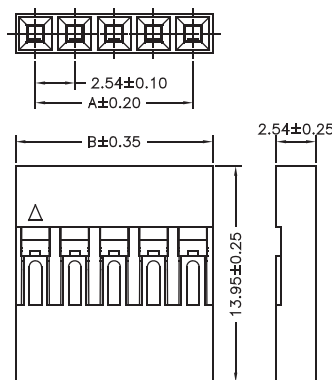
Part No.:2541H-2XXB-L

- 1:With Bump
- 2:W/O Bump

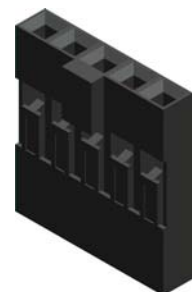
No. of Contacts	Dimensions		No. of Contacts	Dimensions	
	A	B		A	B
2x1	-	2.54	2x21	50.80	53.34
2x2	2.54	5.08	2x22	53.34	55.88
2x3	5.08	7.62	2x23	55.88	58.42
2x4	7.62	10.16	2x24	58.42	60.96
2x5	10.16	12.70	2x25	60.96	63.50
2x6	12.70	15.24	2x26	63.50	66.04
2x7	15.24	17.78	2x27	66.04	68.58
2x8	17.78	20.32	2x28	68.58	71.12
2x9	20.32	22.86	2x29	71.12	73.66
2x10	22.86	25.40	2x30	73.66	76.20
2x11	25.40	27.94	2x31	76.20	78.74
2x12	27.94	30.48	2x32	78.74	81.28
2x13	30.48	33.02	2x33	81.28	83.82
2x14	33.02	35.56	2x34	83.82	86.36
2x15	35.56	38.10	2x35	86.36	88.90
2x16	38.10	40.64	2x36	88.90	91.44
2x17	40.64	43.18	2x37	91.44	93.98
2x18	43.18	45.72	2x38	93.98	96.52
2x19	45.72	48.26	2x39	96.52	99.06
2x20	48.26	50.80	2x40	99.06	101.60



With Bump



W/O Bump



Part No.:2541H-1XXB-L

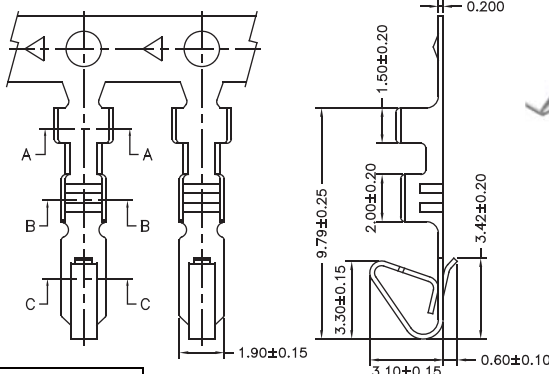
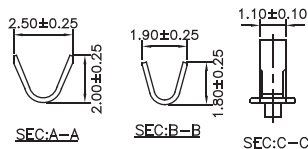
- 1:With Bump
- 2:W/O Bump

CONNECTORS MANUFACTURER



2.54mm Terminal / Housing / Wafer Right Angle & Straight Type

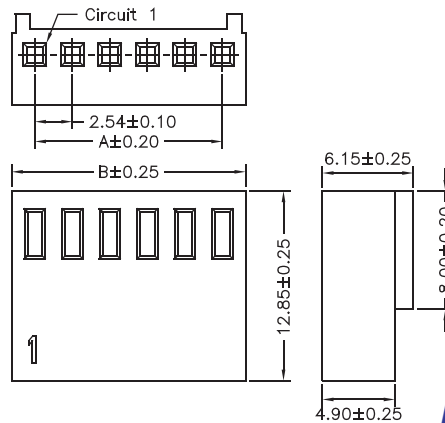
Specifications
 Current Rating: 4A AC,DC
 Voltage Rating: 250V AC,DC
 Temperature Range: -25°C to +85°C
 Contact Resistance: 10mΩ Max
 Insulation Resistance: 1000MΩ Min
 Withstanding Voltage: 1000V AC/minute
 Terminal: Brass / Tin Plated
 Material: Nylon 66, UL94V-2



Part No.	Wire Range	Insulation O.D.	Material	Finish
2542-TTB-L	#24-#30	1.57mm(Max)	Brass	Tin Plated
2542-TGB-L				Gold Plated
2542-TTP-L			Phosphor Bronze	Tin Plated

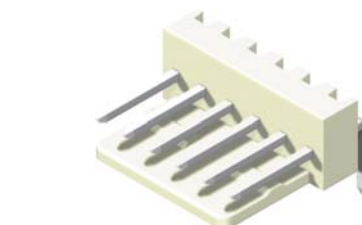
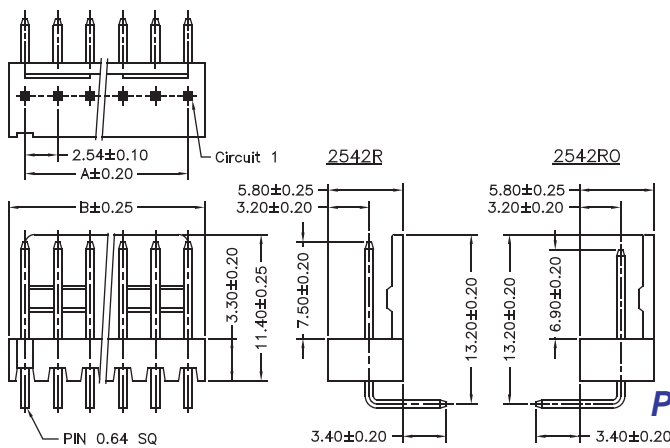
Part No.:2542-T-L

No. of Contacts	Dimensions		No. of Contacts	Dimensions	
	A	B		A	B
2	2.54	5.68	12	27.94	31.08
3	5.08	8.22	13	30.48	33.62
4	7.62	10.76	14	33.02	36.16
5	10.16	13.30	15	35.56	38.70
6	12.70	15.84	16	38.10	41.24
7	15.24	18.38	17	40.64	43.78
8	17.78	20.92	18	43.18	46.32
9	20.32	23.46	19	45.72	48.86
10	22.86	26.00	20	48.26	51.40
11	25.40	28.54			



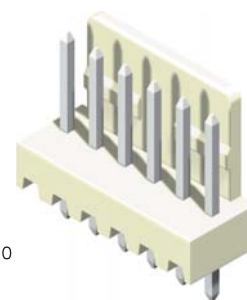
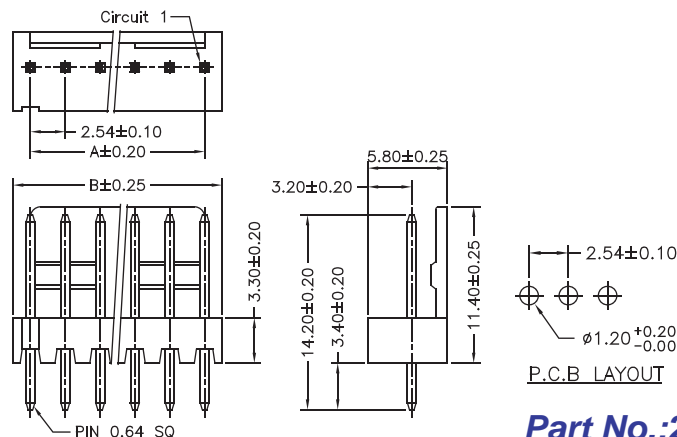
Part No.:2542H-XXW-L

No. of Contacts	Dimensions	A	B
2	2.54	5.08	
3	5.08	7.62	
4	7.62	10.16	
5	10.16	12.70	
6	12.70	15.24	
7	15.24	17.78	
8	17.78	20.32	
9	20.32	22.86	
10	22.86	25.40	
11	25.40	27.94	
12	27.94	30.48	
13	30.48	33.02	
14	33.02	35.56	
15	35.56	38.10	
16	38.10	40.64	
17	40.64	43.18	
18	43.18	45.72	
19	45.72	48.26	
20	48.26	50.80	



Part No.:2542R-XXTW-L
2542RO-XXTW-L

No. of Contacts	Dimensions	A	B
2	2.54	5.08	
3	5.08	7.62	
4	7.62	10.16	
5	10.16	12.70	
6	12.70	15.24	
7	15.24	17.78	
8	17.78	20.32	
9	20.32	22.86	
10	22.86	25.40	
11	25.40	27.94	
12	27.94	30.48	
13	30.48	33.02	
14	33.02	35.56	
15	35.56	38.10	
16	38.10	40.64	
17	40.64	43.18	
18	43.18	45.72	
19	45.72	48.26	
20	48.26	50.80	



Part No.:2542S-XXTW-L

Housing Wafer Terminal

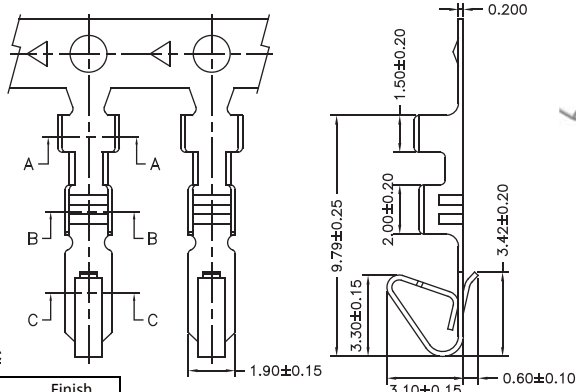
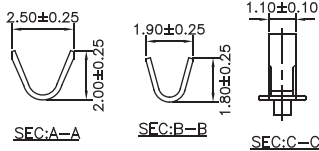


ROHS

CONNECTOR MANUFACTURER

2.54mm Terminal / Housing / Wafer Right Angle & Straight Type

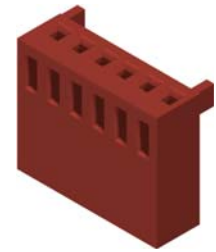
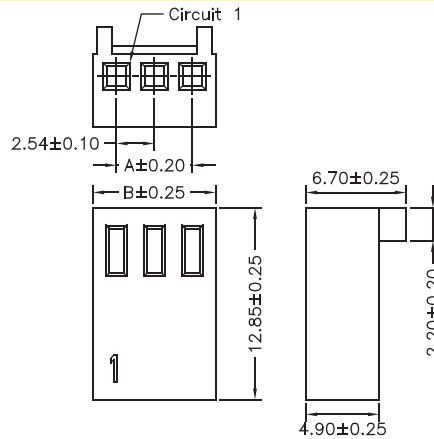
Specifications
 Current Rating: 4A AC,DC
 Voltage Rating: 250V AC,DC
 Temperature Range: -25°C to +85°C
 Contact Resistance: 10mΩ Max
 Insulation Resistance: 1000MΩ Min
 Withstanding Voltage: 1500V AC/minute
 Terminal: Brass / Tin Plated
 Material: Nylon 66,UL94V-2



Part No.	Wire Range	Insulation O.D.	Material	Finish
2542-TTB-L	#24-#30	1.57mm(Max)	Brass	Tin Plated
2542-TGB-L				Gold Plated
2542-TTP-L			Phosphor Bronze	Tin Plated

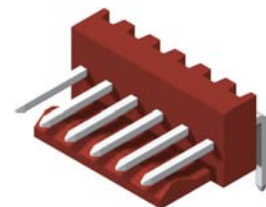
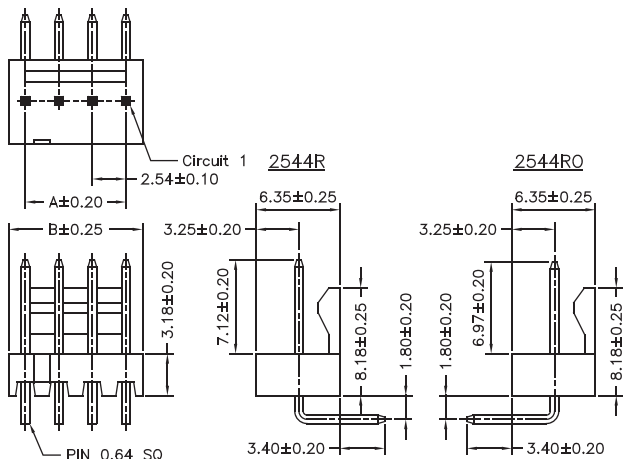
Part No.:2542-T-L

No. of Contacts	Dimensions		No. of Contacts	Dimensions	
	A	B		A	B
2	2.54	5.68	12	27.94	31.08
3	5.08	8.22	13	30.48	33.62
4	7.62	10.76	14	33.02	36.16
5	10.16	13.30	15	35.56	38.70
6	12.70	15.84	16	38.10	41.24
7	15.24	18.38	17	40.64	43.78
8	17.78	20.92	18	43.18	46.32
9	20.32	23.46	19	45.72	48.86
10	22.86	26.00	20	48.26	51.40
11	25.40	28.54			

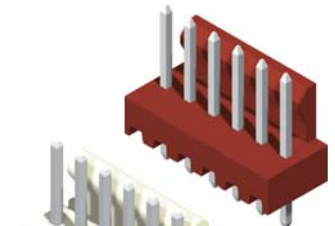
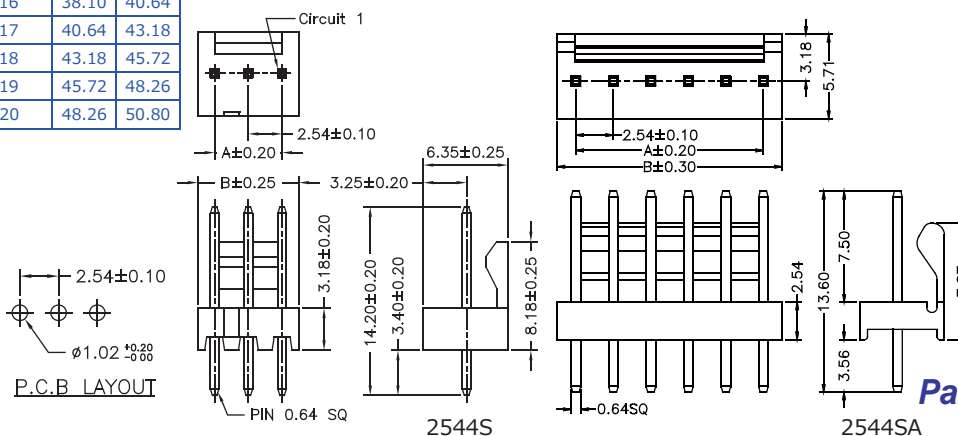
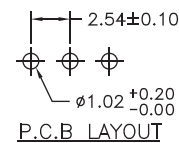


Part No.:2544H-XXR-L

No. of Contacts	Dimensions	
	A	B
2	2.54	5.08
3	5.08	7.62
4	7.62	10.16
5	10.16	12.70
6	12.70	15.24
7	15.24	17.78
8	17.78	20.32
9	20.32	22.86
10	22.86	25.40
11	25.40	27.94
12	27.94	30.48
13	30.48	33.02
14	33.02	35.56
15	35.56	38.10
16	38.10	40.64
17	40.64	43.18
18	43.18	45.72
19	45.72	48.26
20	48.26	50.80



Part No.:2544R-XXTR-L
2544RO-XXTR-L

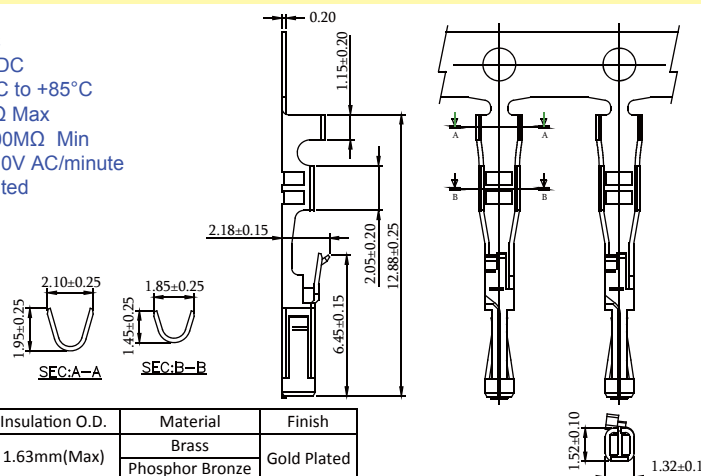


Part No.:2544S-XXTR-L
2544SA-XXTW-L



2.54mm Mini Latch Terminal / Housing / Wafer Straight Type

Specifications
 Current Rating: 3A AC,DC
 Voltage Rating: 250V AC,DC
 Temperature Range: -25°C to +85°C
 Contact Resistance: 20mΩ Max
 Insulation Resistance: 1000MΩ Min
 Withstanding Voltage: 1500V AC/minute
 Terminal: Brass / Gold Plated
 Material: P.B.T, UL94V-0

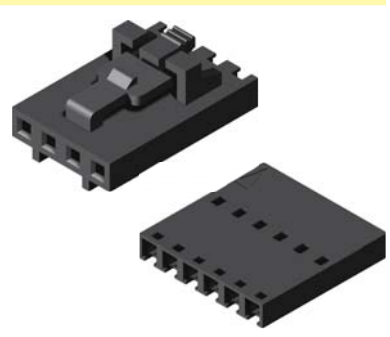
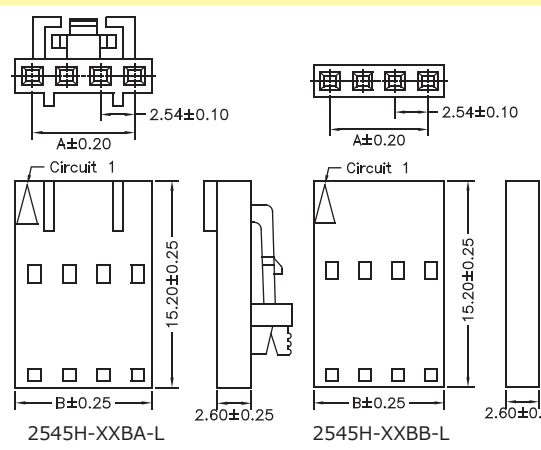


Part No.	Wire Range	Insulation O.D.	Material	Finish
2545-TGB-L	#22-#26	1.63mm(Max)	Brass	Gold Plated
2545-TGP-L			Phosphor Bronze	

Part No.:2545-T-L

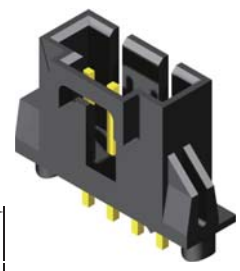
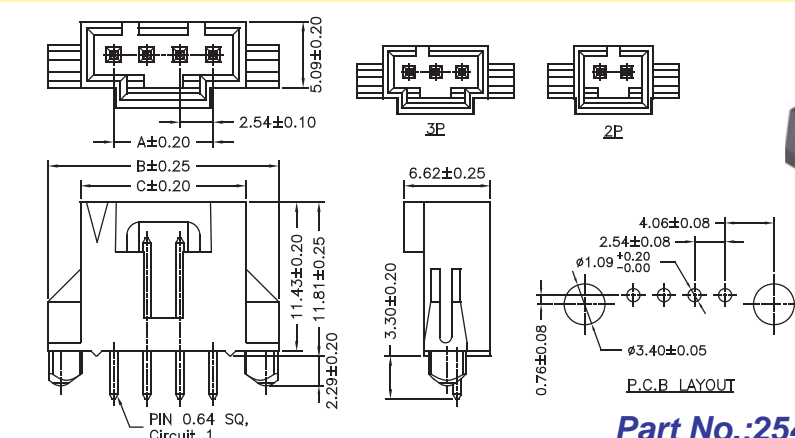
Housing Wafer Terminal

No. of Contacts	Dimensions		No. of Contacts	Dimensions	
	A	B		A	B
2	2.54	5.20	14	33.02	35.80
3	5.08	7.80	15	35.56	38.30
4	7.62	10.30	16	38.10	40.90
5	10.16	12.90	17	40.64	43.40
6	12.70	15.40	18	43.18	46.00
7	15.24	18.00	19	45.72	48.50
8	17.78	20.50	20	48.26	51.10
9	20.32	23.10	21	50.80	53.60
10	22.86	25.60	22	53.34	56.20
11	25.40	28.10	23	55.88	58.70
12	27.94	30.70	24	58.42	61.20
13	30.48	33.20	25	60.96	63.80



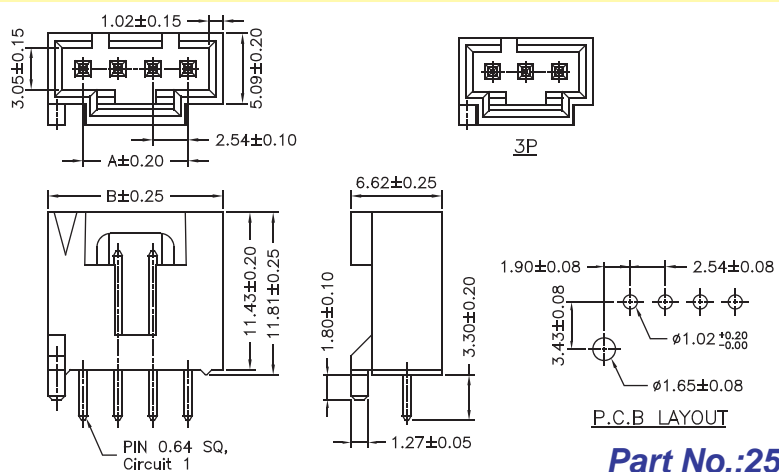
Part No.:2545H-XXBA-L
 2545H-XXBB-L

No. of Contacts	Dimensions		
	A	B	C
2	2.54	12.63	7.63
3	5.08	15.17	10.17
4	7.62	17.71	12.71
5	10.16	20.25	15.25
6	12.70	22.79	17.79
7	15.24	25.33	20.33
8	17.78	27.87	22.87
9	20.32	30.41	25.41
10	22.86	32.95	27.95
11	25.40	35.49	30.49
12	27.94	38.03	33.03



Part No.:2545S-XXGB2-L

No. of Contacts	Dimensions	
	A	B
3	5.08	10.17
4	7.62	12.71
5	10.16	15.25
6	12.70	17.79
7	15.24	20.33
8	17.78	22.87
9	20.32	25.41
10	22.86	27.95
11	25.40	30.49
12	27.94	33.03



Part No.:2545S-XXGB1-L

AMTEK CONNECTORS MANUFACTURING

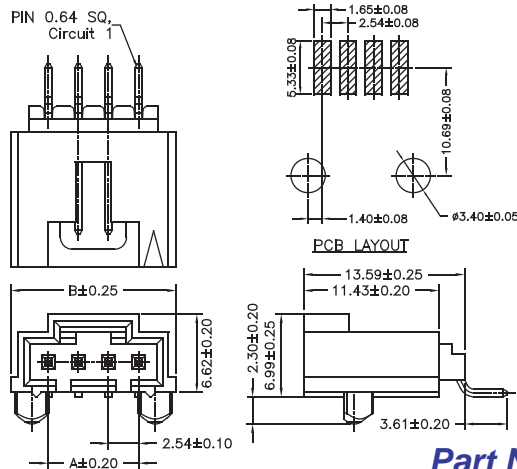


ROHS

2.54mm Mini Latch Wafer SMT R/A / Right Angle / Straight Type

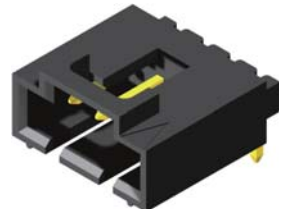
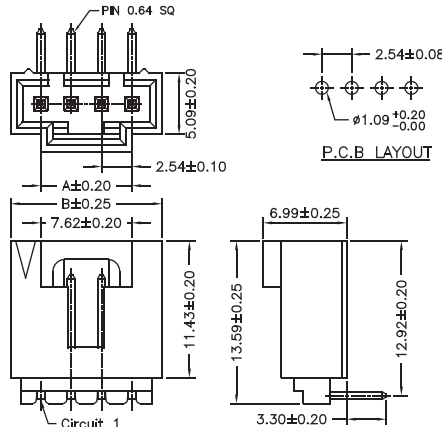
Specifications
 Current Rating: 3A AC,DC
 Voltage Rating: 250V AC,DC
 Temperature Range: -25°C to +85°C
 Contact Resistance: 20mΩ Max
 Insulation Resistance: 1000MΩ Min
 Withstanding Voltage: 1500V AC/minute
 Terminal: Brass / Gold Plated
 Material: 2545MR: Nylon 6T, UL94V0
 other: P.B.T, UL94V0

No. of Contacts	Dimensions		No. of Contacts	Dimensions	
	A	B		A	B
2	2.54	7.59	8	17.78	22.83
3	5.08	10.13	9	20.32	25.37
4	7.62	12.67	10	22.86	27.91
5	10.16	15.21	11	25.40	30.45
6	12.70	17.75	12	27.94	32.99
7	15.24	20.29			



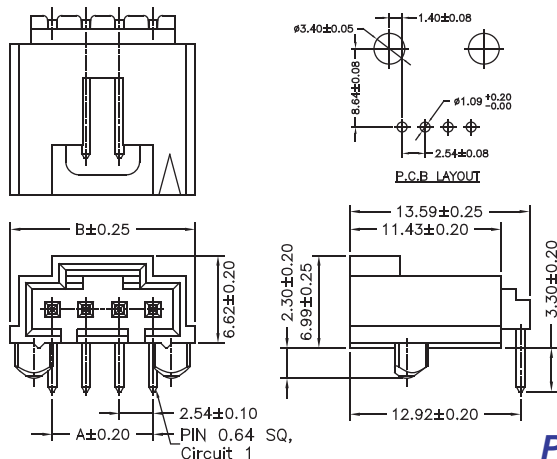
Part No.:2545MR-XXGB-U

No. of Contacts	Dimensions	
	A	B
2	2.54	7.59
3	5.08	10.13
4	7.62	12.67
5	10.16	15.21
6	12.70	17.75
7	15.24	20.29
8	17.78	22.83
9	20.32	25.37
10	22.86	27.91
11	25.40	30.45
12	27.94	32.99



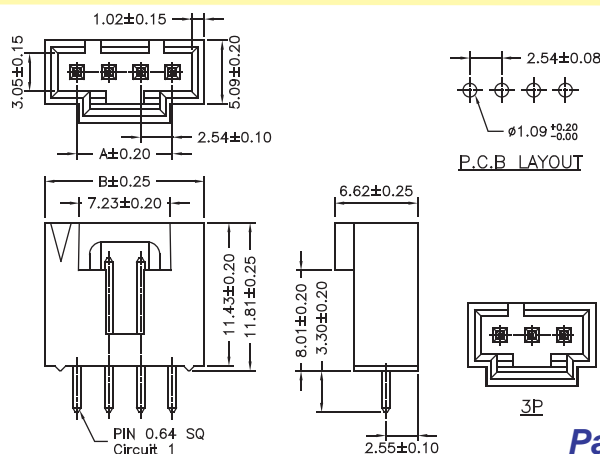
Part No.:2545R-XXGB-L

No. of Contacts	Dimensions	
	A	B
2	2.54	8.89
3	5.08	11.43
4	7.62	13.97
5	10.16	16.51
6	12.70	19.05
7	15.24	21.59
8	17.78	24.13
9	20.32	26.67
10	22.86	29.21
11	25.40	31.75
12	27.94	34.29



Part No.:2545R-XXGB1-L

No. of Contacts	Dimensions	
	A	B
3	5.08	10.17
4	7.62	12.71
5	10.16	15.25
6	12.70	17.79
7	15.24	20.33
8	17.78	22.87
9	20.32	25.41
10	22.86	27.95
11	25.40	30.49
12	27.94	33.03

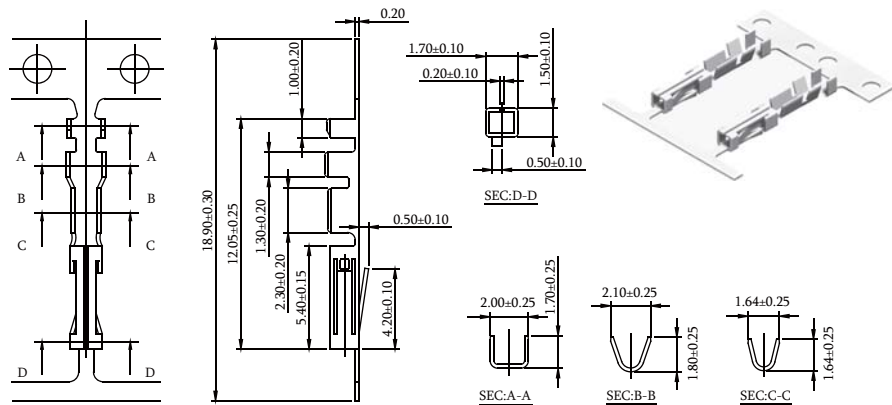


Part No.:2545S-XXGB-L



2.54mm Terminal / Housing / Wafer Right Angle & Straight Type

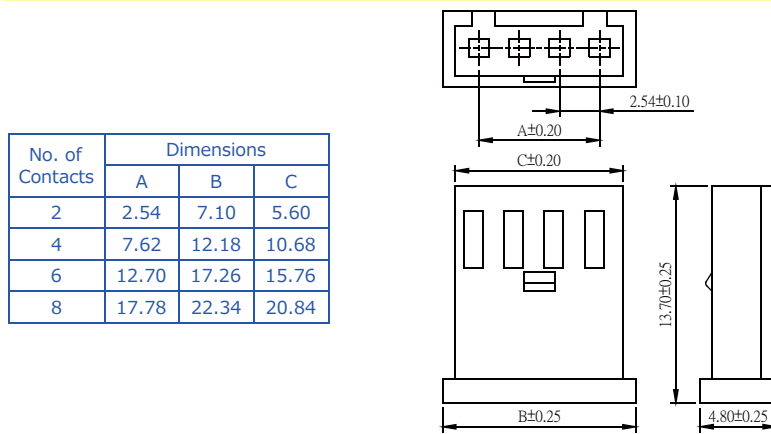
Specifications
 Current Rating: 3A AC,DC
 Voltage Rating: 250V AC,DC
 Temperature Range: -25°C to +85°C
 Contact Resistance: 20mΩ Max
 Insulation Resistance: 1000MΩ Min
 Withstanding Voltage: 1000V AC/minute
 Terminal: Brass / Tin Plated
 Material: P.B.T,UL94V-0



Wire Range	Insulation O.D.	Material	Finish
#28-#30	1.30mm(Max)	Phosphor Bronze	Tin Plated

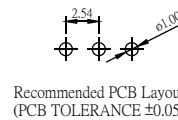
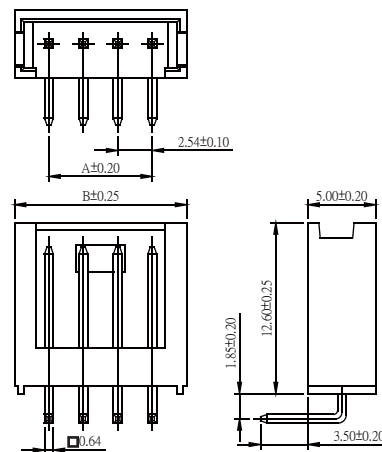
Part No.:2546-T-L

Housing Wafer Terminal



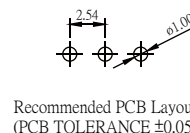
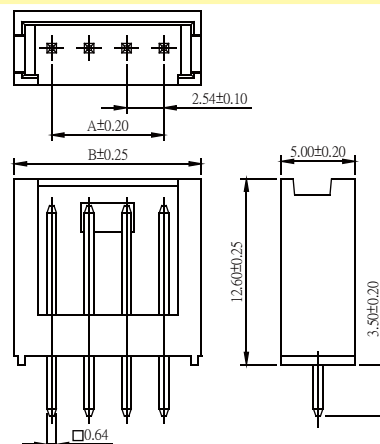
No. of Contacts	Dimensions		
	A	B	C
2	2.54	7.10	5.60
4	7.62	12.18	10.68
6	12.70	17.26	15.76
8	17.78	22.34	20.84

Part No.:2546H-XXB-L



Part No.:2546R-XXTB-L

No. of Contacts	Dimensions	
	A	B
2	2.54	7.70
4	7.62	12.78
6	12.70	17.86
8	17.78	22.94



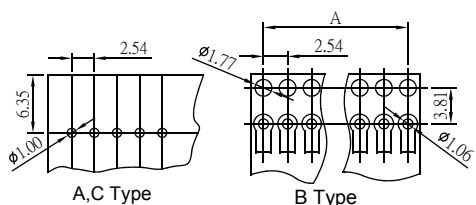
Part No.:2546S-XXTB-L

COMMERCIAL MANUFACTURING

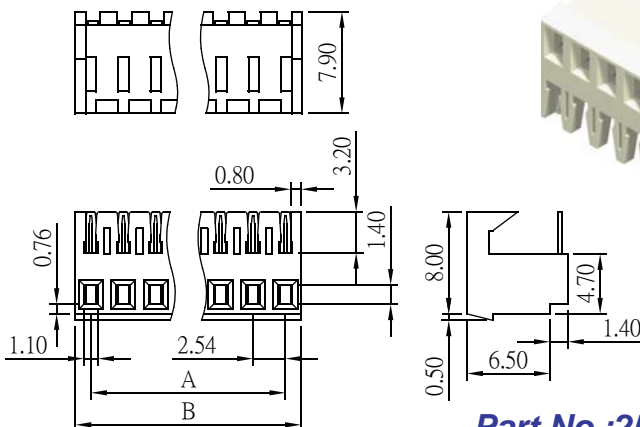


2.54mm Wafer DIP Type

Specifications
 Current Rating: 3A AC,DC
 Voltage Rating: 250V AC,DC
 Temperature Range: -25°C to +85°C
 Contact Resistance: 10mΩ Max
 Insulation Resistance: 1000MΩ Min
 Withstanding Voltage: 1000V AC/minute
 Terminal: Brass / Tin Plated
 Material: Nylon 66,UL94V0

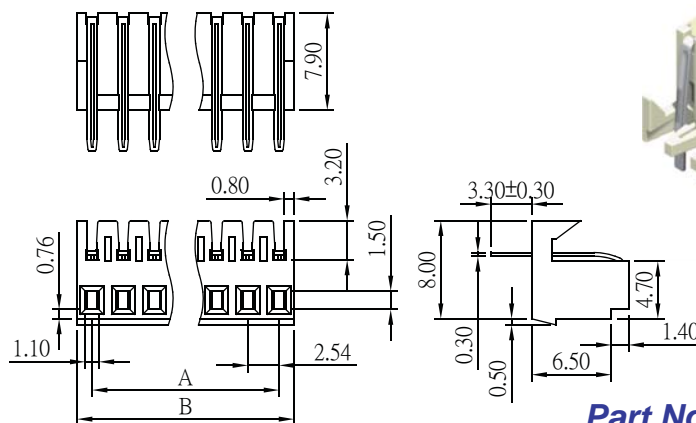


Recommended PCB Layout
 (PCB TOLERANCE ±0.05)

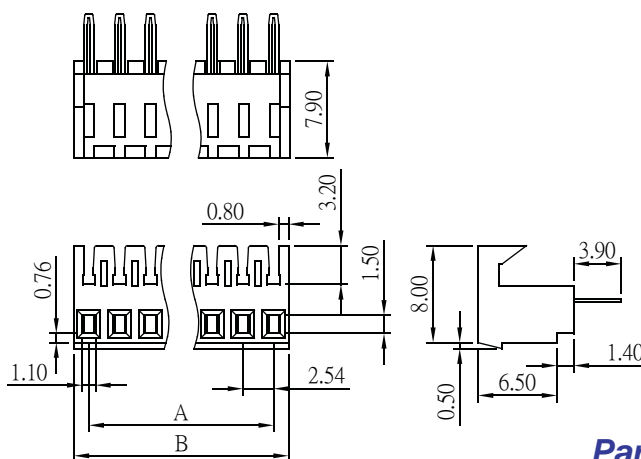


Part No.:2548A-XX-L

No. of Contacts	Dimensions	
	A	B
2	2.54	5.08
3	5.08	7.62
4	7.62	10.16
5	10.16	12.70
6	12.70	15.24
7	15.24	17.78
8	17.78	20.32
9	20.32	22.86
10	22.86	25.40
11	25.40	27.94
12	27.94	30.48
13	30.48	33.02
14	33.02	35.56
15	35.56	38.10
16	38.10	40.64
17	40.64	43.18
18	43.18	45.72
19	45.72	48.26
20	48.26	50.80
21	50.80	53.34
22	53.34	55.88
23	55.88	58.42
24	58.42	60.96
25	60.96	63.50

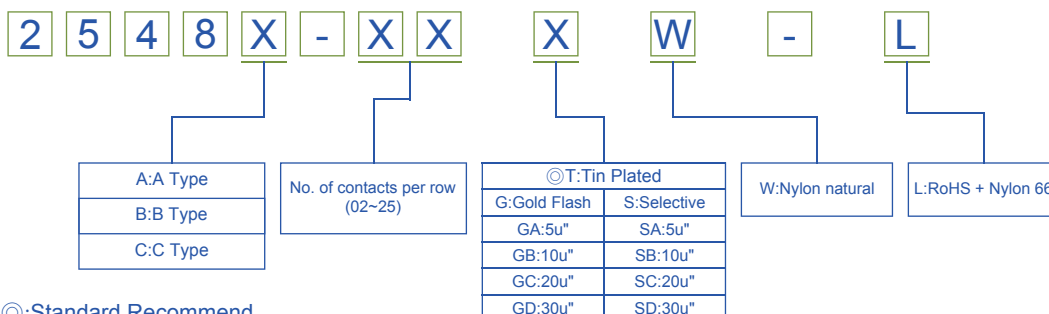


Part No.:2548B-XX-L



Part No.:2548C-XX-L

ORDER INFORMATION



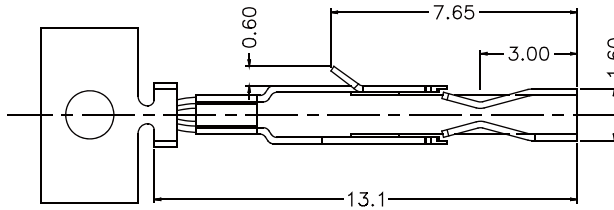
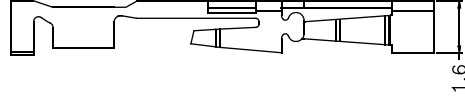
◎: Standard Recommend



2.54mm Terminal / Housing

Specifications

Current Rating: 3A AC,DC
 Voltage Rating: 250V AC,DC
 Temperature Range: -25°C to +85°C
 Contact Resistance: 20mΩ Max
 Insulation Resistance: 1000MΩ Min
 Withstanding Voltage: 1000V AC/minute
 Terminal: Brass / Tin Plated
 Material:P.B.TUL94V-0

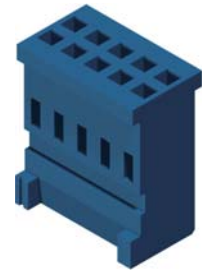
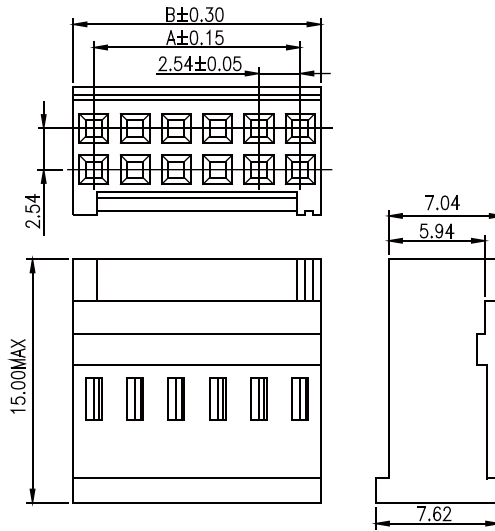


Wire Range	Insulation O.D.	Material	Finish
#22-#28	1.50mm(Max)	Copper Alloy	Tin Plated

Part No.:2217-T-L

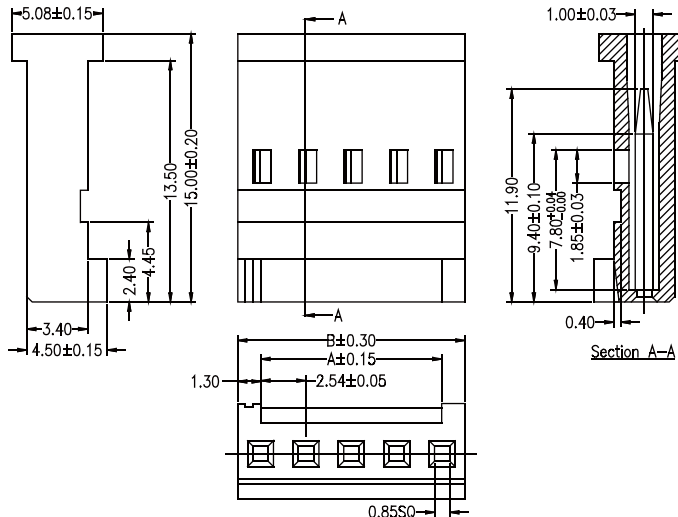
Housing Wafer Terminal

No. of Contacts	Dimensions		No. of Contacts	Dimensions	
	A	B		A	B
2x2	2.54	5.08	2x12	27.94	30.48
2x3	5.08	7.62	2x13	30.48	33.02
2x4	7.62	10.16	2x14	33.02	35.56
2x5	10.16	12.70	2x15	35.56	38.10
2x6	12.70	15.24	2x16	38.10	40.64
2x7	15.24	17.78	2x17	40.64	43.18
2x8	17.78	20.32	2x18	43.18	45.72
2x9	20.32	22.86	2x19	45.72	48.26
2x10	22.86	25.40	2x20	48.26	50.80
2x11	25.40	27.94			



Part No.:2217H-2XXU-L

No. of Contacts	Dimensions	
	A	B
2	2.54	5.08
3	5.08	7.62
4	7.62	10.16
5	10.16	12.70
6	12.70	15.24
7	15.24	17.78
8	17.78	20.32
9	20.32	22.86
10	22.86	25.40
12	27.94	30.48
15	35.56	38.10
18	43.18	45.72
20	48.26	50.80



Part No.:2217H-1XXU-L



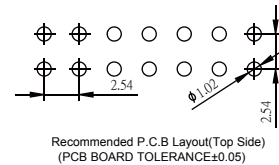
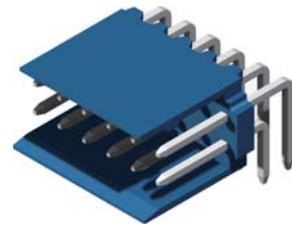
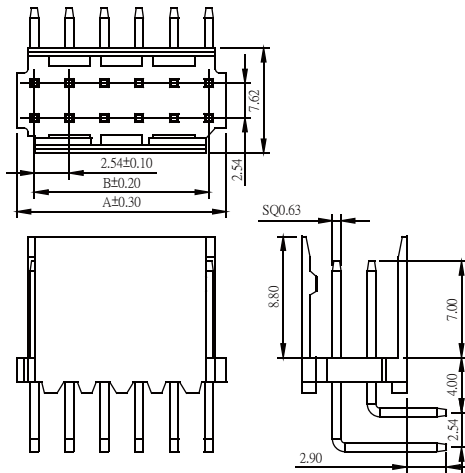
ROHS

CONNECTORS MANUFACTURER

2.54mm Wafer Right Angle / Straight Type

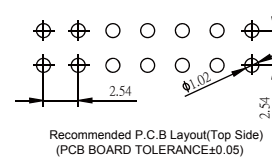
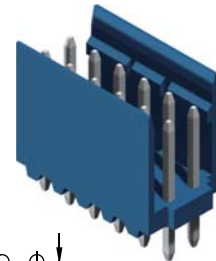
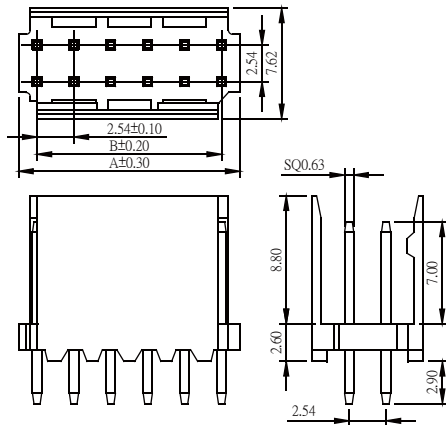
Specifications
 Current Rating: 3A AC,DC
 Voltage Rating: 250V AC,DC
 Temperature Range: -25°C to +85°C
 Contact Resistance: 20mΩ Max
 Insulation Resistance: 1000MΩ Min
 Withstanding Voltage: 1000V AC/minute
 Terminal: Brass / Gold or Tin Plated
 Material: Nylon 66,UL94V0

No. of Contacts	Dimensions	
	A	B
2x2	5.08	2.54
2x3	7.62	5.08
2x4	10.16	7.62
2x5	12.70	10.16
2x6	15.24	12.70
2x7	17.78	15.24
2x8	20.32	17.78
2x9	22.86	20.32
2x10	25.40	22.86
2x11	27.94	25.40
2x12	30.48	27.94
2x13	33.02	30.48
2x14	35.56	33.02
2x15	38.10	35.56
2x16	40.64	38.10
2x17	43.18	40.64
2x18	45.72	43.18
2x19	48.26	45.72
2x20	50.80	48.26



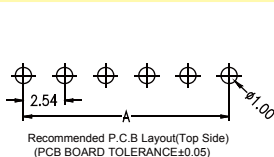
Recommended P.C.B Layout (Top Side)
 (PCB BOARD TOLERANCE±0.05)

Part No.:2217R-2XXTU-L

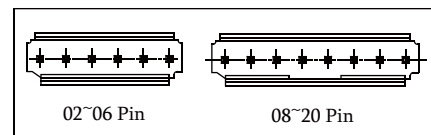
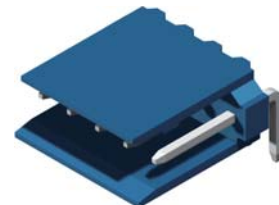
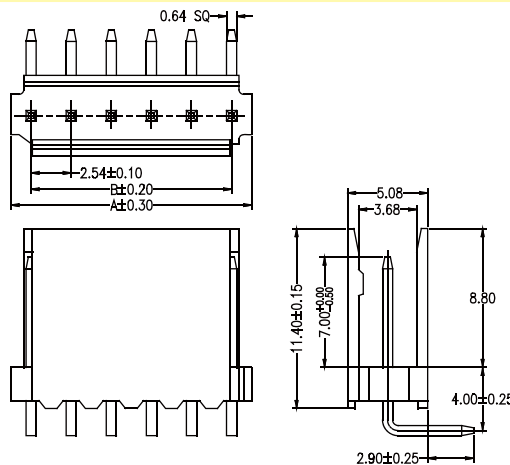


Recommended P.C.B Layout (Top Side)
 (PCB BOARD TOLERANCE±0.05)

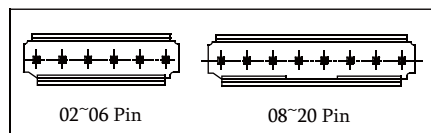
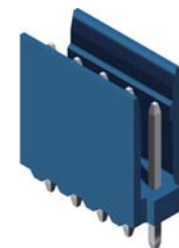
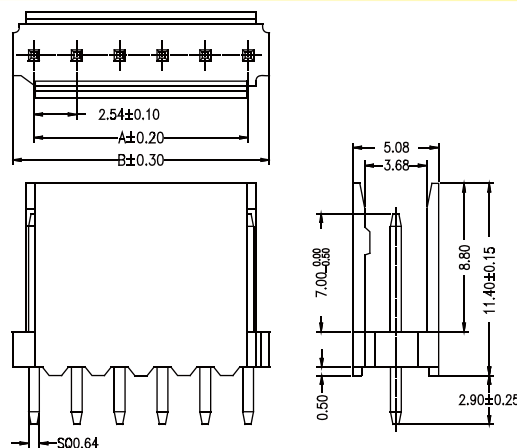
Part No.:2217S-2XXTU-L



No. of Contacts	Dimensions	
	A	B
2	5.08	2.54
3	7.62	5.08
4	10.16	7.62
5	12.70	10.16
6	15.24	12.70
7	17.78	15.24
8	20.32	17.78
10	25.40	22.86
12	30.48	27.94
13	33.02	30.48
15	38.10	35.56
17	43.18	40.64
18	45.72	43.18
20	50.80	48.26



Part No.:2217R-1XXTU-L

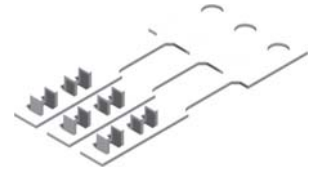
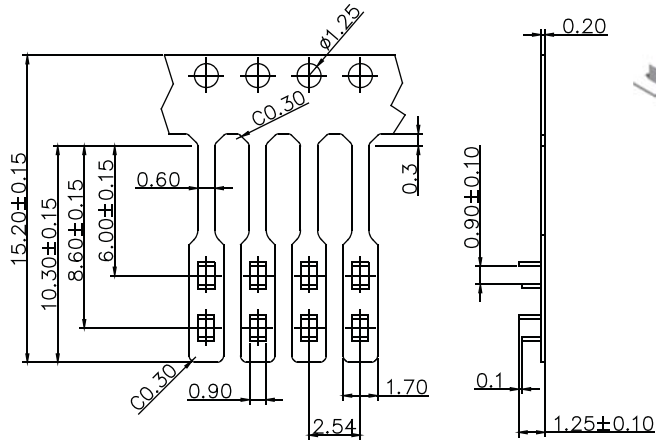


Part No.:2217S-1XXTU-L



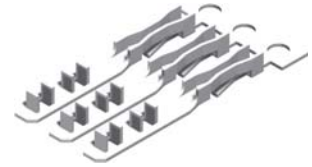
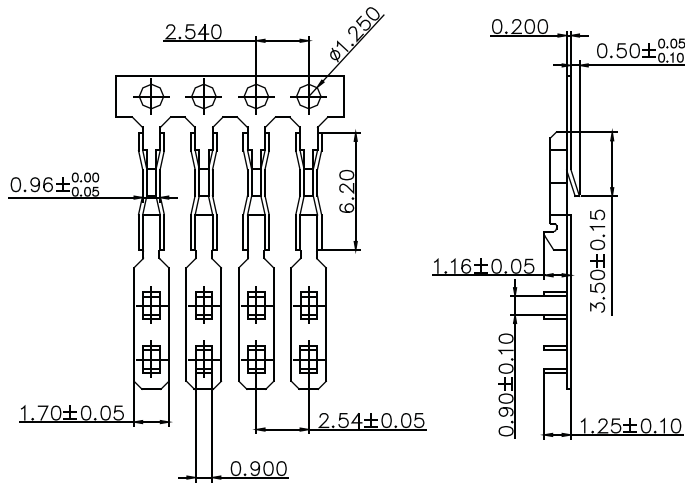
2.54mm Terminal / Housing

Specifications
 Current Rating: 3A AC,DC
 Voltage Rating: 250V AC,DC
 Temperature Range: -55°C to +105°C
 Contact Resistance: 20mΩ Max
 Insulation Resistance: 1000MΩ Min
 Material:P.B.TUL94V-0



Material	Finish
Phosphor Bornze	Tin Plated

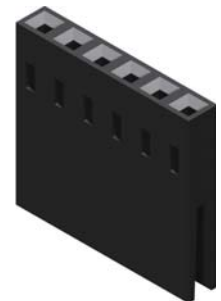
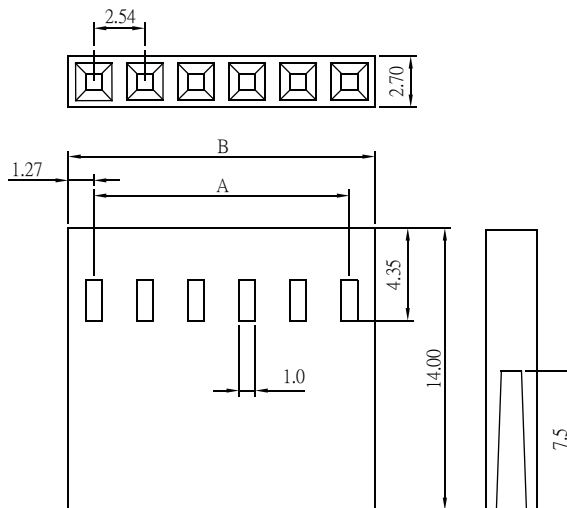
Part No.:2550-T-L



Material	Finish
Phosphor Bornze	Tin Plated

Part No.:2550-FT-L

No. of Contacts	Dimensions		No. of Contacts	Dimensions	
	A	B		A	B
2	2.54	5.08	15	35.56	38.10
3	5.08	7.62	16	38.10	40.64
4	7.62	10.16	17	40.64	43.18
5	10.16	12.70	18	43.18	45.72
6	12.70	15.24	19	45.72	48.26
7	15.24	17.78	20	48.26	50.80
8	17.78	20.32	21	50.80	53.34
9	20.32	22.86	22	53.34	55.88
10	22.86	25.40	23	55.88	58.42
11	25.40	27.94	24	58.42	60.96
12	27.94	30.48	25	60.96	63.50
13	30.48	33.02	26	63.50	66.04
14	33.02	35.56			



Part No.:2550H-XXB-L

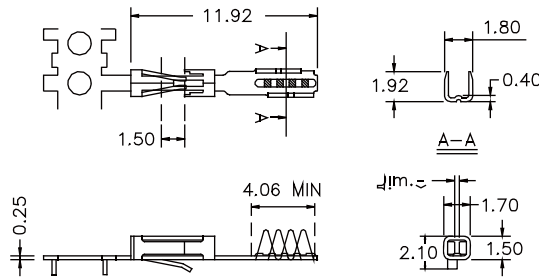
Housing Wafer Terminal



ROHS

2.54mm Terminal / Housing

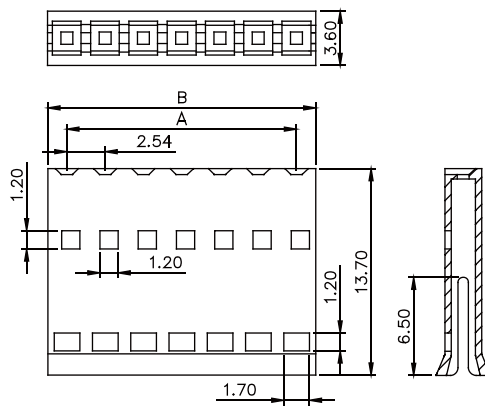
Specifications
 Current Rating: 2A AC,DC
 Voltage Rating: 250V AC,DC
 Temperature Range: -25°C to +85°C
 Insulation Resistance: 1000MΩ Min
 Material: Nylon 66, UL94V-0



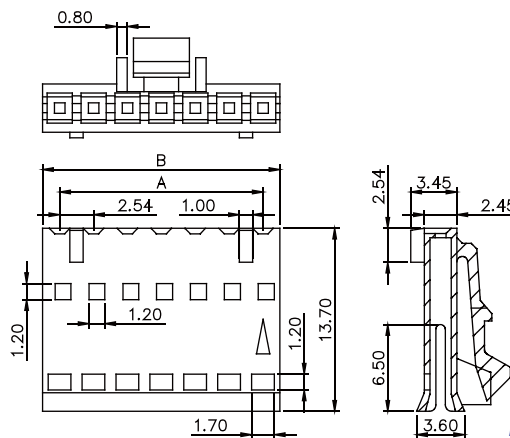
Using In	Material	Finish	Dim. A
02P~15P	Phosphor Bronze	Tin Plated	0.25
16P~28P			0.40

Part No.:2550-FT-B-L

No. of Contacts	Dimensions	
	A	B
2	2.54	5.08
3	5.08	7.62
4	7.62	10.16
5	10.16	12.70
6	12.70	15.24
7	15.24	17.78
8	17.78	20.32
9	20.32	22.86
10	22.86	25.40
11	25.40	27.94
12	27.94	30.48
13	30.48	33.02
14	33.02	35.56
15	35.56	38.10
16	38.10	40.64
17	40.64	43.18
18	43.18	45.72
19	45.72	48.26
20	48.26	50.80
21	50.80	53.34
22	53.34	55.88
23	55.88	58.42
24	58.42	60.96
25	60.96	63.50
26	63.50	66.04
27	66.04	68.58
28	68.58	71.12
29	71.12	73.66
30	73.66	76.20



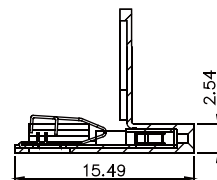
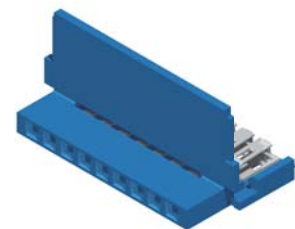
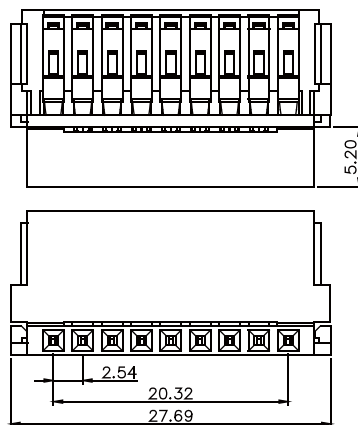
Part No.:2550H-XXBG-L



Part No.:2550H-XXBH-L

2.54mm Housing IDC Type

Specifications
 Voltage Rating: 15V AC,DC
 Temperature Range: -60°C to +105°C
 Withstanding Voltage: 1000V AC/minute
 Withstanding Humidity: 30% ~ 90%
 Terminal: Phosphor Bronze / Tin Plated
 Material: Nylon 66, UL94V-0



Part No.:2551IDC-XTU-L

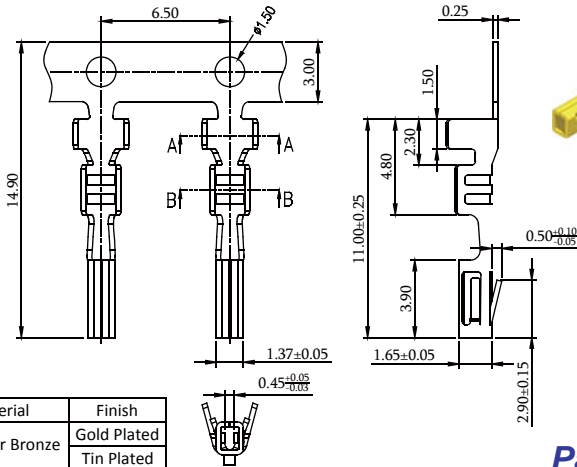
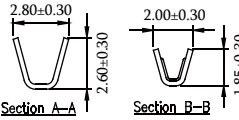
CONNECTORS MANUFACTURER



2.54mm Terminal / Housing / Wafer SMT & R/A & Straight Type

Specifications
 Current Rating: 3A AC,DC
 Voltage Rating: 675V AC,DC
 Temperature Range: Housing: -25°C to +105°C
 Wafer: -55°C to +125°C

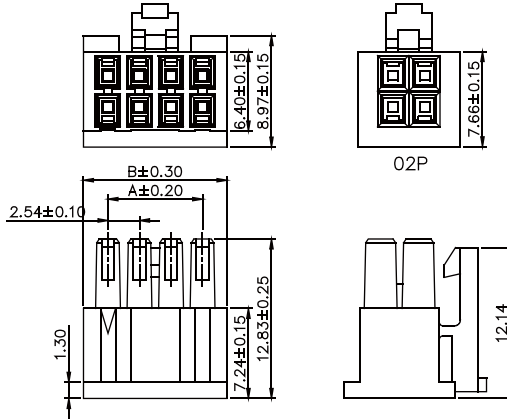
Contact Resistance: 20mΩ Max
 Insulation Resistance: 1000MΩ Min
 Withstanding Voltage: 1000V AC/minute
 Terminal: Brass / Tin Plated
 Material: Housing: Nylon 66, UL94V-2
 Wafer: LCP, UL94V-0



Part No.	Wire Range	Insulation O.D.	Material	Finish
2553-TGP-L	#20-#24	1.55mm(Max)	Phosphor Bronze	Gold Plated
2553-TTP-L				Tin Plated

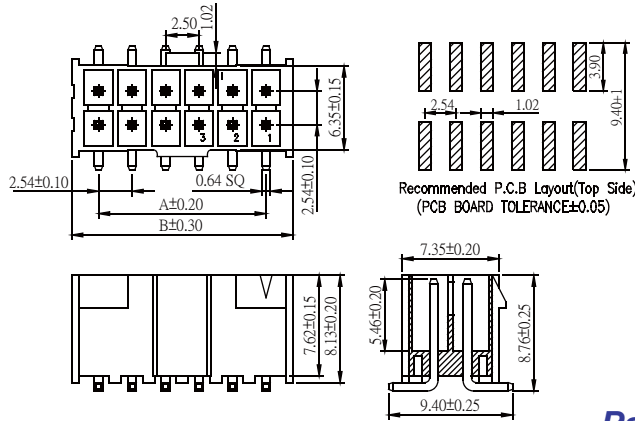
Part No.:2553-T-L

No. of Contacts	Dimensions		No. of Contacts	Dimensions	
	A	B		A	B
2x2	2.54	8.26	2x14	33.02	36.96
2x3	5.08	9.02	2x15	35.56	39.50
2x4	7.62	11.56	2x16	38.10	42.04
2x5	10.16	14.10	2x17	40.64	44.58
2x6	12.70	16.64	2x18	43.18	47.12
2x7	15.24	19.18	2x19	45.72	49.66
2x8	17.78	21.72	2x20	48.26	52.20
2x9	20.32	24.26	2x21	50.80	54.74
2x10	22.86	26.80	2x22	53.34	57.28
2x11	25.40	29.34	2x23	55.88	59.82
2x12	27.94	31.88	2x24	58.42	62.36
2x13	30.48	34.42	2x25	60.96	64.90

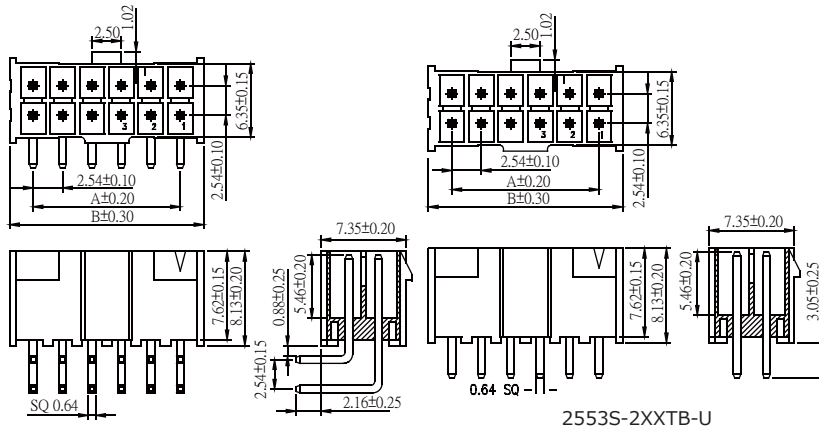


Part No.:2553H-2XXW-L

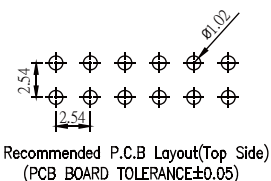
No. of Contacts	Dimensions	
	A	B
2x2	2.54	6.60
2x3	5.08	9.14
2x4	7.62	11.68
2x5	10.16	14.22
2x6	12.70	16.76
2x7	15.24	19.30
2x8	17.78	21.84
2x9	20.32	24.38
2x10	22.86	26.92
2x11	25.40	29.46
2x12	27.94	32.00
2x13	30.48	34.54
2x14	33.02	37.08
2x15	35.56	39.62
2x16	38.10	42.16
2x17	40.64	44.70
2x18	43.18	47.24
2x19	45.72	49.78
2x20	48.26	52.32
2x21	50.80	54.86
2x22	53.34	57.40
2x23	55.88	59.94
2x24	58.42	62.48
2x25	60.96	65.02



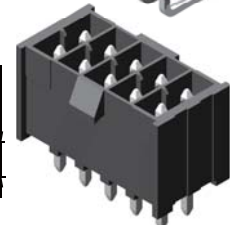
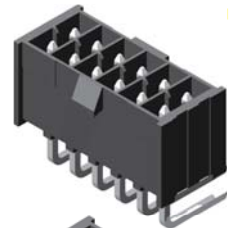
Part No.:2553M-2XXTB-U



Part No.:2553R/S-2XXTB-U



2553R-2XXTB-U



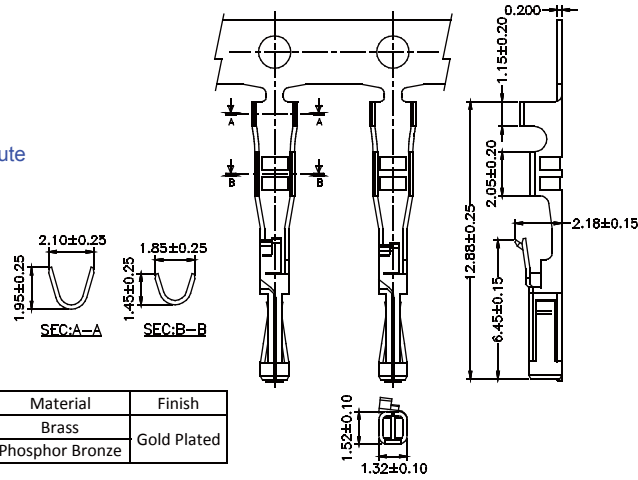
Housing Wafer Terminal



ROHS

2.54mm Terminal / Housing / Wafer Right Angle & Straight Type

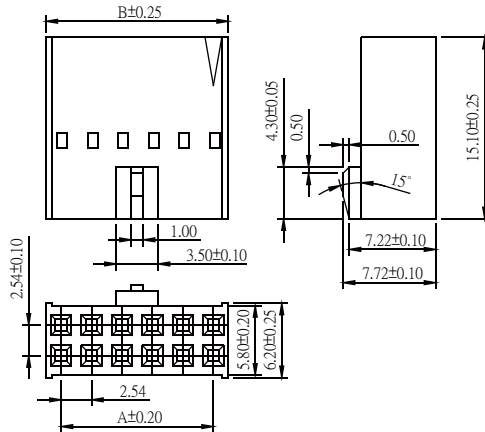
Specifications
 Current Rating: 3A AC,DC
 Voltage Rating: 250V AC,DC
 Temperature Range: -40°C to +105°C
 Contact Resistance: 20mΩ Max
 Insulation Resistance: 1000MΩ Min
 Withstanding Voltage: 1500V AC/minute
 Terminal: Brass / Gold Plated
 Material:P.B.T, UL94V-0



Part No.	Wire Range	Insulation O.D.	Material	Finish
2545-TGB-L	#22-#26	1.63mm(Max)	Brass	Gold Plated
2545-TGP-L			Phosphor Bronze	

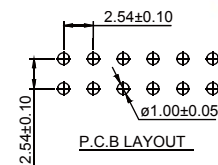
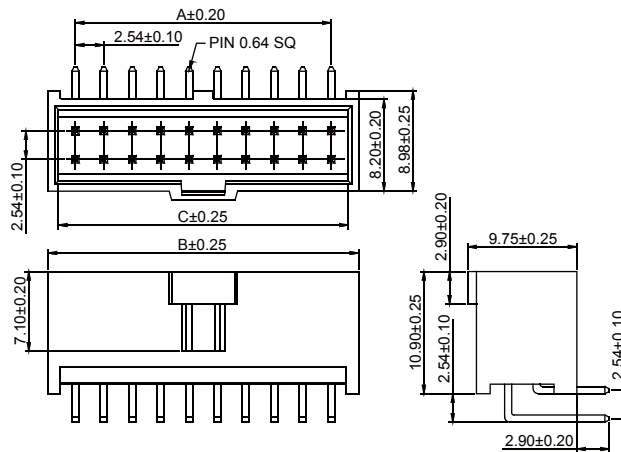
Part No.:2545-T-L

No. of Contacts	Dimensions		No. of Contacts	Dimensions	
	A	B		A	B
2x3	5.08	7.62	2x18	43.18	45.72
2x4	7.62	10.16	2x19	45.72	48.26
2x5	10.16	12.70	2x20	48.26	50.80
2x6	12.70	15.24	2x21	50.80	53.34
2x7	15.24	17.78	2x22	53.34	55.88
2x8	17.78	20.32	2x23	55.88	58.42
2x9	20.32	22.86	2x24	58.42	60.96
2x10	22.86	25.40	2x25	60.96	63.50
2x11	25.40	27.94	2x26	63.50	66.04
2x12	27.94	30.48	2x27	66.04	68.58
2x13	30.48	33.02	2x28	68.58	71.12
2x14	33.02	35.56	2x29	71.12	73.66
2x15	35.56	38.10	2x30	73.66	76.20
2x16	38.10	40.64	2x31	76.20	78.74
2x17	40.64	43.18	2x32	78.74	81.28

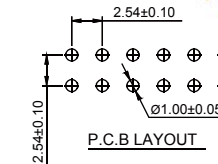
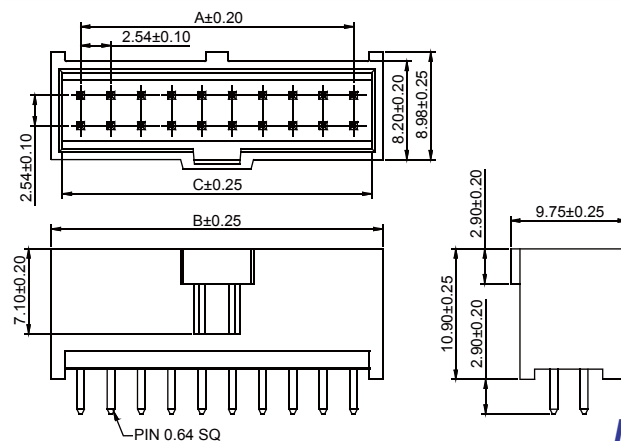


Part No.:2555H-2XXB-L

No. of Contacts	Dimensions		
	A	B	C
2x3	5.08	9.96	8.12
2x4	7.62	12.50	10.66
2x5	10.16	15.04	13.20
2x6	12.70	17.58	15.74
2x7	15.24	20.12	18.28
2x8	17.78	22.66	20.82
2x9	20.32	25.20	23.36
2x10	22.86	27.74	25.90
2x11	25.40	30.28	28.44
2x12	27.94	32.82	30.98
2x13	30.48	35.36	33.52
2x14	33.02	37.90	36.06
2x15	35.56	40.44	38.60
2x16	38.10	42.98	41.14
2x17	40.64	45.52	43.68
2x18	43.18	48.06	46.22
2x19	45.72	50.60	48.76
2x20	48.26	53.14	51.30
2x21	50.80	55.68	53.84
2x22	53.34	58.22	56.38
2x23	55.88	60.76	58.92
2x24	58.42	63.30	61.46
2x25	60.96	65.84	64.00
2x26	63.50	68.38	66.54
2x27	66.04	70.92	69.08
2x28	68.58	73.46	71.62
2x29	71.12	76.00	74.16
2x30	73.66	78.54	76.70
2x31	76.20	81.08	79.24
2x32	78.74	83.62	81.78



Part No.:2555R-2XXGB-L

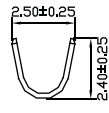


Part No.:2555S-2XXGB-L

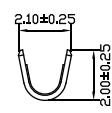


3.0mm Female Terminal / Male Housing / Wafer Straight Type

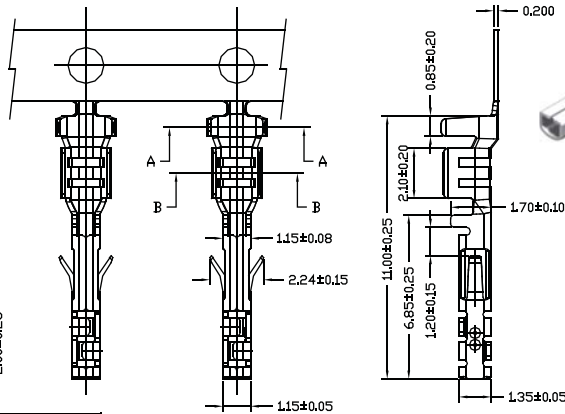
Specifications
 Current Rating: 5A AC,DC
 Voltage Rating: 250V AC,DC
 Temperature Range: -25°C to +85°C
 Contact Resistance: 10mΩ Max
 Insulation Resistance: 1000MΩ Min
 Withstanding Voltage: 1500V AC/minute
 Terminal: Phosphor Bronze / Tin Plated
 Material: Housing: Nylon 66, UL94V-2
 Wafer: LCP, UL94V-0



SECA-A



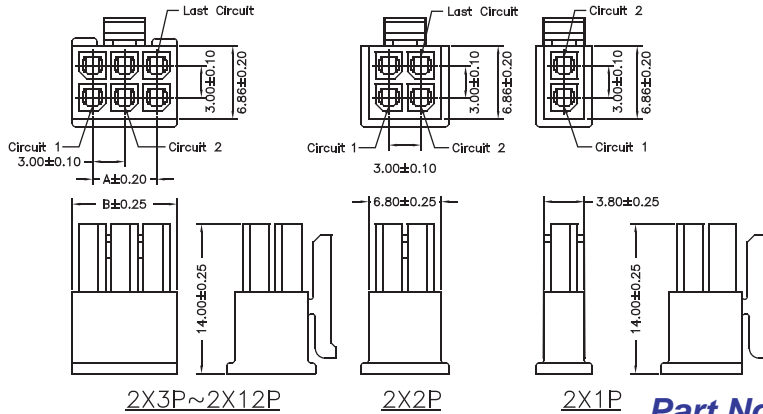
SECB-B



Wire Range	Insulation O.D.	Material	Finish
#20-#24	1.85mm(Max)	Phosphor Bronze	Tin Plated

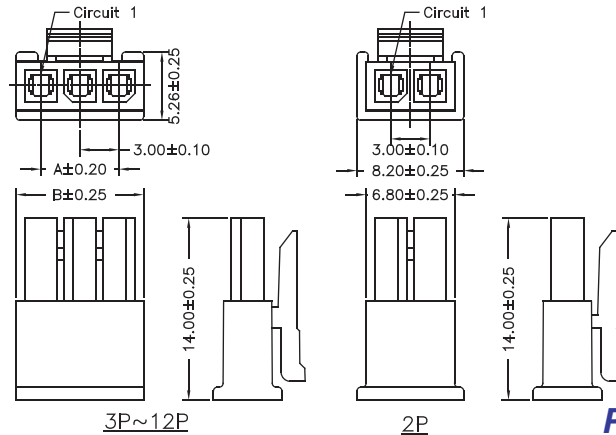
Part No.:3000-FT-L

No. of Contacts	Dimensions	
	A	B
2x1	- - -	3.80
2x2	3.00	6.80
2x3	6.00	9.80
2x4	9.00	12.80
2x5	12.00	15.80
2x6	15.00	18.80
2x7	18.00	21.80
2x8	21.00	24.80
2x9	24.00	27.80
2x10	27.00	30.80
2x11	30.00	33.80
2x12	33.00	36.80



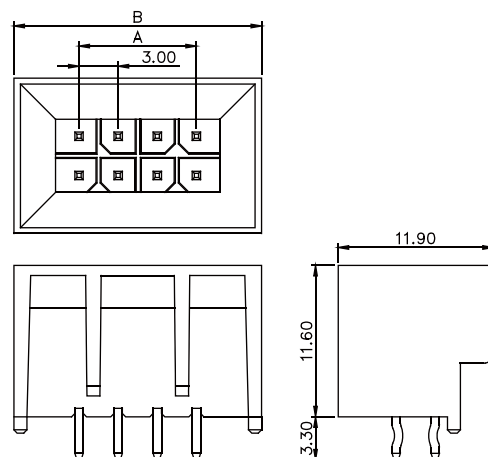
Part No.:3000H-M2XXB-L

No. of Contacts	Dimensions	
	A	B
2	3.00	6.80
3	6.00	9.80
4	9.00	12.80
5	12.00	15.80
6	15.00	18.80
7	18.00	21.80
8	21.00	24.80
9	24.00	27.80
10	27.00	30.80
11	30.00	33.80
12	33.00	36.80



Part No.:3000H-M1XXB-L

No. of Contacts	Dimensions	
	A	B
2x2	3.00	13.00
2x3	6.00	16.00
2x4	9.00	19.00
2x5	12.00	22.00
2x6	15.00	25.00
2x7	18.00	28.00
2x8	21.00	31.00
2x9	24.00	34.00
2x10	27.00	37.00
2x11	30.00	40.00
2x12	33.00	43.00



Recommended PCB thickness:1.57mm
 PCB Layout: Compinside

Part No.:3000SA-2XXTB-U

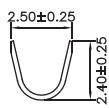
Housing Wafer Terminal



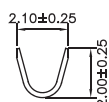
ROHS

3.0mm Male Terminal / Female Housing / Wafer Straight Type

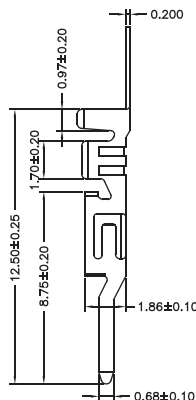
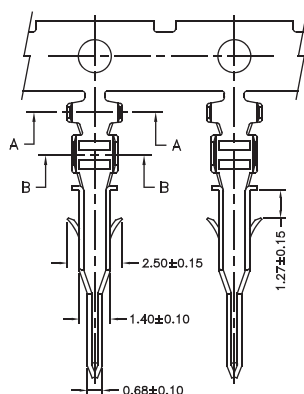
Specifications
 Current Rating: 5A AC,DC
 Voltage Rating: 250V AC,DC
 Temperature Range: -25°C to +85°C
 Contact Resistance: 10mΩ Max
 Insulation Resistance: 1000MΩ Min
 Withstanding Voltage: 1500V AC/minute
 Terminal: Phosphor Bronze / Tin Plated
 Material: Housing: Nylon 66, UL94V-2
 Wafer: LCP, UL94V-0



SEC:A-A



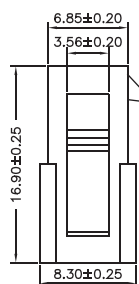
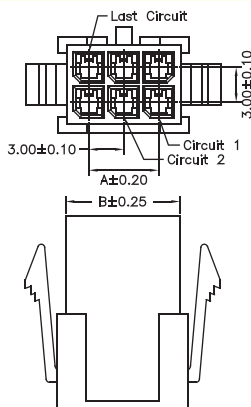
SEC:B-B



Wire Range	Insulation O.D.	Material	Finish
#20-#24	1.85mm(Max)	Phosphor Bronze	Tin Plated

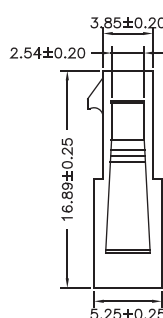
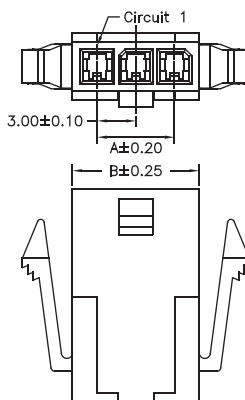
Part No.:3000-MT-L

No. of Contacts	Dimensions	
	A	B
2x1	- - -	3.85
2x2	3.00	6.85
2x3	6.00	9.85
2x4	9.00	12.85
2x5	12.00	15.85
2x6	15.00	18.85
2x7	18.00	21.85
2x8	21.00	24.85
2x9	24.00	27.85
2x10	27.00	30.85
2x11	30.00	33.85
2x12	33.00	36.85



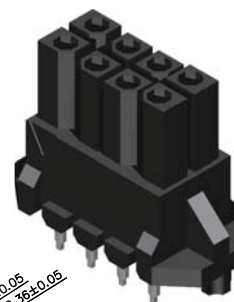
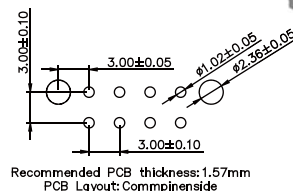
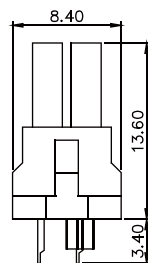
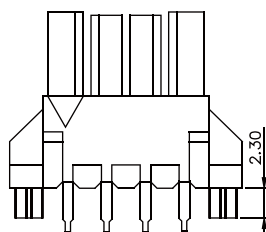
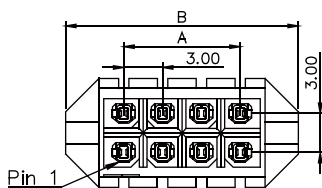
Part No.:3000H-F2XXB-U

No. of Contacts	Dimensions	
	A	B
2	3.00	6.85
3	6.00	9.85
4	9.00	12.85
5	12.00	15.85
6	15.00	18.85
7	18.00	21.85
8	21.00	24.85
9	24.00	27.85
10	27.00	30.85
11	30.00	33.85
12	33.00	36.85



Part No.:3000H-F1XXB-U

No. of Contacts	Dimensions	
	A	B
2x2	3.00	12.00
2x3	6.00	15.00
2x4	9.00	18.00
2x5	12.00	21.00
2x6	15.00	24.00
2x7	18.00	27.00
2x8	21.00	30.00
2x9	24.00	33.00
2x10	27.00	36.00
2x11	30.00	39.00
2x12	33.00	42.00

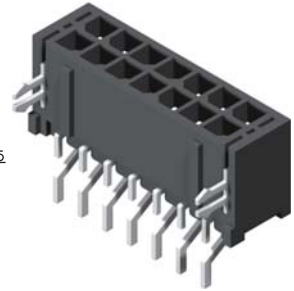
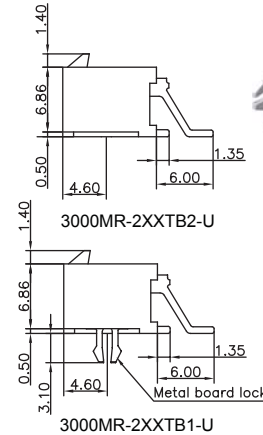
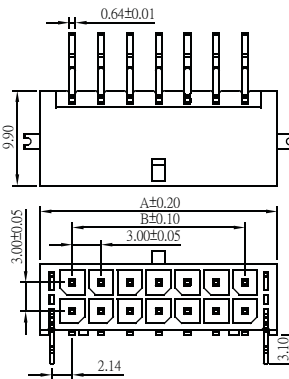
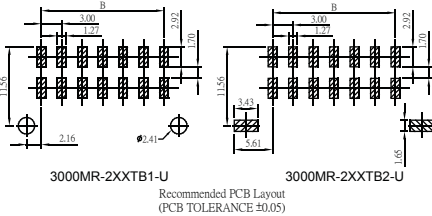


Part No.:3000SB-2XXTB-U



3.0mm Wafer SMT Right Angle / SMT Straight Type

Specifications
 Current Rating: 5A AC,DC
 Voltage Rating: 250V AC,DC
 Temperature Range: -25°C to +105°C
 Contact Resistance: 10mΩ Max
 Insulation Resistance: 1000MΩ Min
 Withstanding Voltage: 1500V AC/minute
 Terminal: Brass / Tin Plated
 Material: Nylon 46, UL94V-0

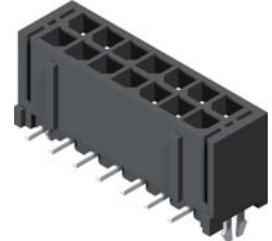
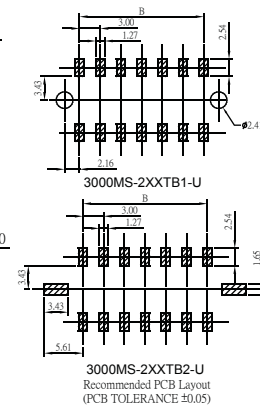
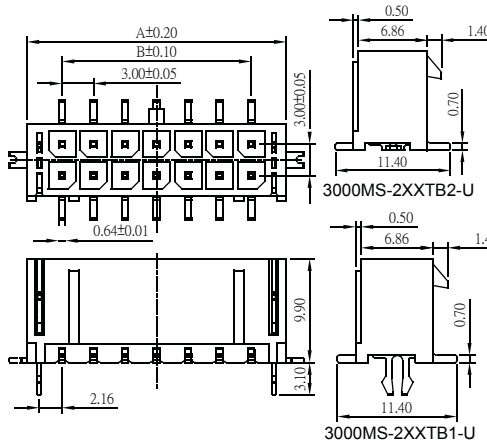


3000MR-2XXTB2-U

3000MR-2XXTB1-U

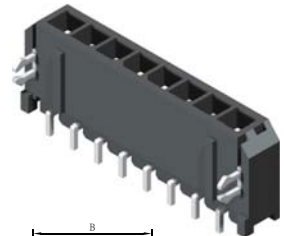
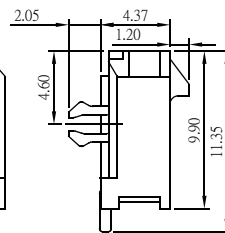
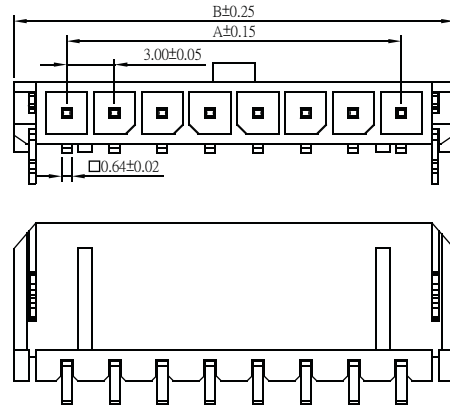
Part No.: 3000MR-2XXTBX-U

No. of Contacts	Dimensions	
	A	B
2x1	- - -	6.70
2x2	3.00	9.70
2x3	6.00	12.70
2x4	9.00	15.70
2x5	12.00	18.70
2x6	15.00	21.70
2x7	18.00	24.70
2x8	21.00	27.70
2x9	24.00	30.70
2x10	27.00	33.70
2x11	30.00	36.70
2x12	33.00	39.70



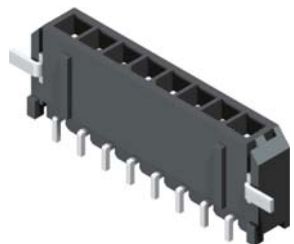
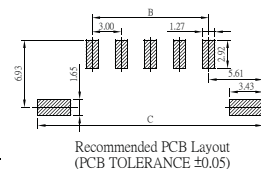
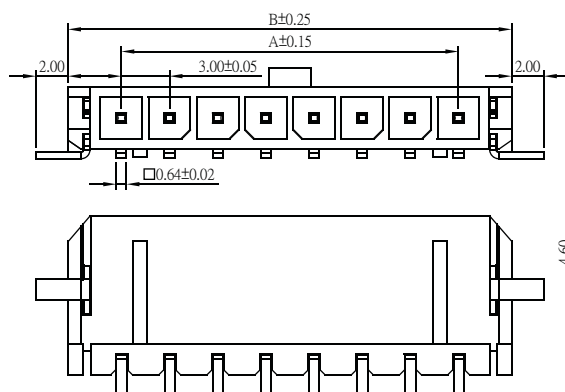
Part No.: 3000MS-2XXTBX-U

No. of Contacts	Dimensions	
	A	B
2	3.00	9.65
3	6.00	12.65
4	9.00	15.65
5	12.00	18.65
6	15.00	21.65
7	18.00	24.65
8	21.00	27.65
9	24.00	30.65
10	27.00	33.65
11	30.00	36.65
12	33.00	39.65



Part No.: 3000MS-1XXTB1-U

No. of Contacts	Dimensions	
	A	B
2	3.00	9.65
3	6.00	12.65
4	9.00	15.65
5	12.00	18.65
6	15.00	21.65
7	18.00	24.65
8	21.00	27.65
9	24.00	30.65
10	27.00	33.65
11	30.00	36.65
12	33.00	39.65



Part No.: 3000MR-1XXTB2-U

Housing Wafer Terminal



ROHS

CONNECTORS MANUFACTURER

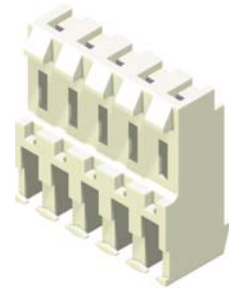
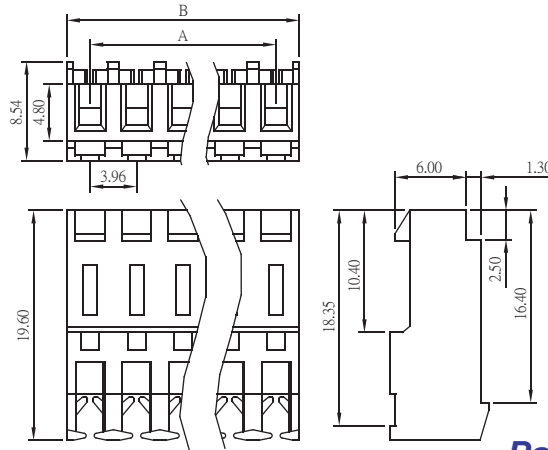


Housing Wafer Terminal

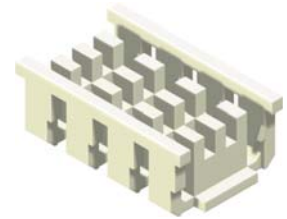
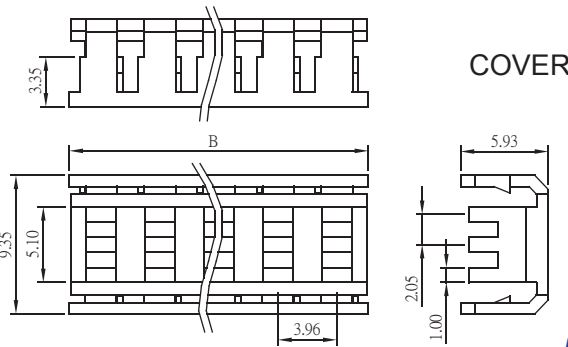
3.96mm Housing IDC Type & Cover

Specifications
 Current Rating: 5A AC,DC
 Voltage Rating: 250V AC,DC
 Temperature Range: -25°C to +85°C
 Contact Resistance: 10mΩ Max
 Insulation Resistance: 1000MΩ Min
 Withstanding Voltage: 1500V AC/minute
 Material: Nylon 66,UL94V-2

No. of Contacts	Dimensions		No. of Contacts	Dimensions	
	A	B		A	B
2	3.96	7.92	14	51.48	55.44
3	7.92	11.88	15	55.44	59.40
4	11.88	15.84	16	59.40	63.36
5	15.84	19.80	17	63.36	67.32
6	19.80	23.76	18	67.32	71.28
7	23.76	27.72	19	71.28	75.24
8	27.72	31.68	20	75.24	79.20
9	31.68	35.64	21	79.20	83.16
10	35.64	39.60	22	83.16	87.12
11	39.60	43.56	23	87.12	91.08
12	43.56	47.52	24	91.08	95.04
13	47.52	51.48	25	95.04	99.00



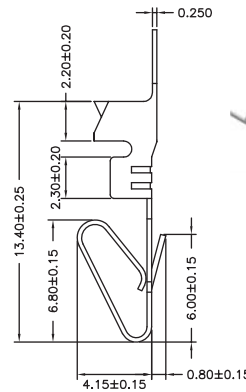
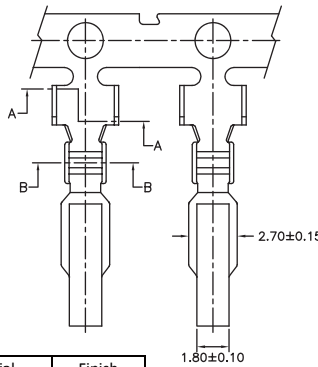
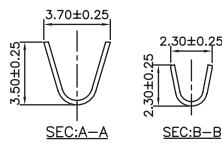
Part No.:3960IDC-XX-L



Part No.:3960IDC-CXX-L

3.96mm Terminal / Housing

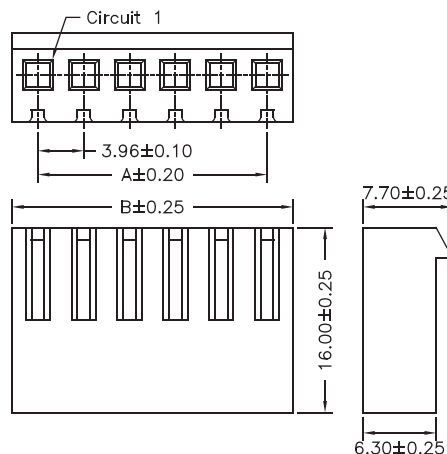
Specifications
 Current Rating: 7A AC,DC
 Voltage Rating: 250V AC,DC
 Temperature Range: -25°C to +85°C
 Contact Resistance: 10mΩ Max
 Insulation Resistance: 1000MΩ Min
 Withstanding Voltage: 1500V AC/minute
 Material: Nylon 66,UL94V-2



Part No.	Wire Range	Insulation O.D.	Material	Finish
3961-TTB-L	#18-#24	2.80mm(Max)	Brass	Tin Plated
3961-TGB-L				Gold Plated

Part No.:3961-T-L

No. of Contacts	Dimensions	
	A	B
2	3.96	8.43
3	7.92	12.39
4	11.88	16.35
5	15.84	20.31
6	19.80	24.27
7	23.76	28.23
8	27.72	32.19
9	31.68	36.15
10	35.64	40.11
11	39.60	44.07
12	43.56	48.03
13	47.52	51.99
14	51.48	55.95
15	55.44	59.91
16	59.40	63.87
17	63.36	67.83
18	67.32	71.79
19	71.28	75.75
20	75.24	79.71



Part No.:3961H-XXW-L

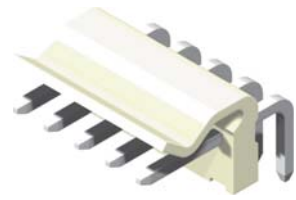
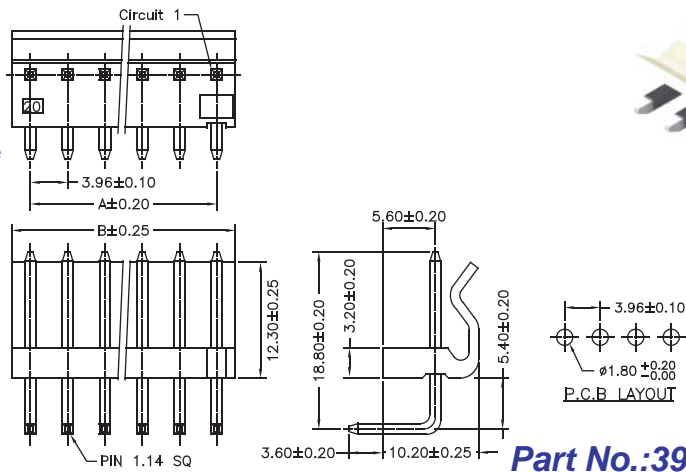
CONNECTOR MANUFACTURER



ROHS

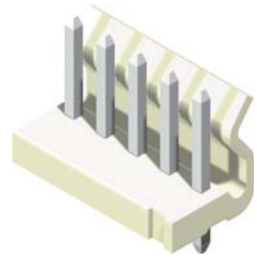
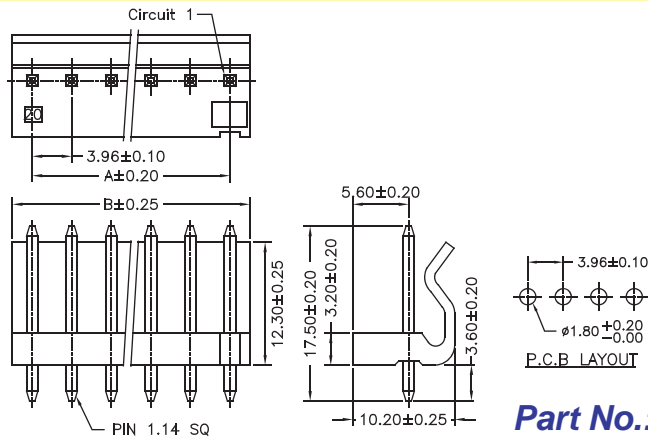
3.96mm Wafer Right Angle / Straight Type

Specifications
 Current Rating: 7A AC,DC
 Voltage Rating: 250V AC,DC
 Temperature Range: -25°C to +85°C
 Contact Resistance: 10mΩ Max
 Insulation Resistance: 1000MΩ Min
 Withstanding Voltage: 1500V AC/minute
 Terminal: Brass / Tin Plated
 Material: Nylon 66, UL94V-2

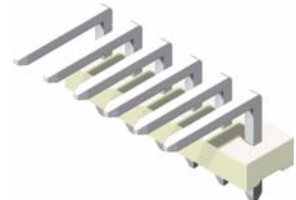
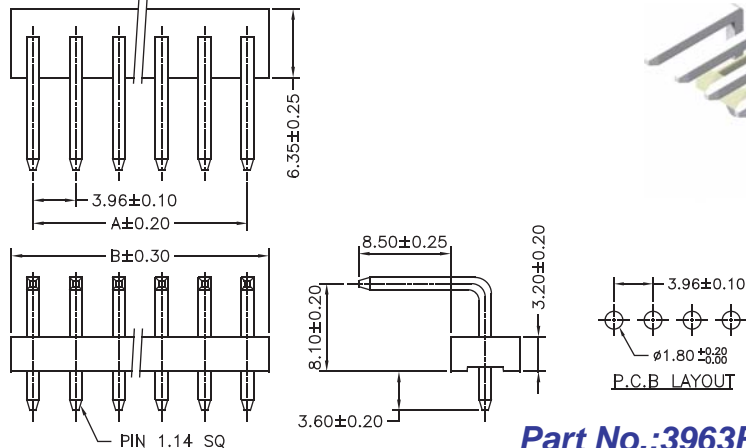


Part No.:3961RA-XXTW-L

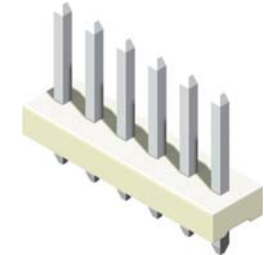
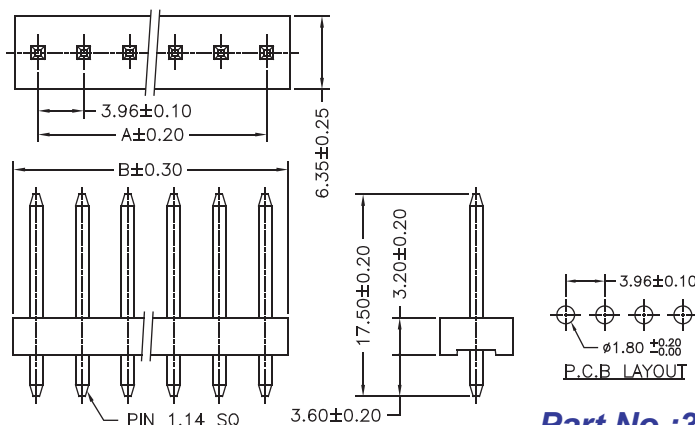
No. of Contacts	Dimensions	
	A	B
2	3.96	7.92
3	7.92	11.88
4	11.88	15.84
5	15.84	19.80
6	19.80	23.76
7	23.76	27.72
8	27.72	31.68
9	31.68	35.64
10	35.64	39.60
11	39.60	43.56
12	43.56	47.52
13	47.52	51.48
14	51.48	55.44
15	55.44	59.40
16	59.40	63.36
17	63.36	67.32
18	67.32	71.28
19	71.28	75.24
20	75.24	79.20



Part No.:3961SA-XXTW-L



Part No.:3963RB-XXTW-L



Part No.:3963SB-XXTW-L

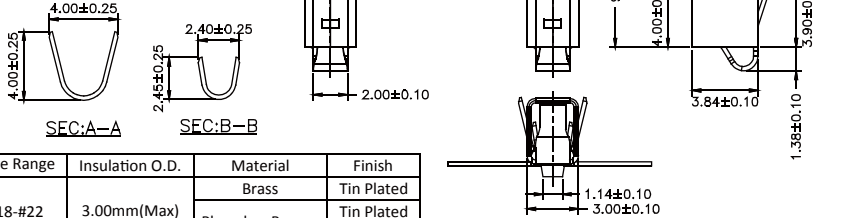
CONNECTORS MANUFACTURER



3.96mm Terminal / Housing / Wafer Right Angle & Straight Type

Specifications

Current Rating: 7A AC,DC
 Voltage Rating: 250V AC,DC
 Temperature Range: -25°C to +85°C
 Contact Resistance: 10mΩ Max
 Insulation Resistance: 1000MΩ Min
 Withstanding Voltage: 1500V AC/minute
 Terminal: Brass / Tin Plated
 Material: Nylon 66,UL94V-0



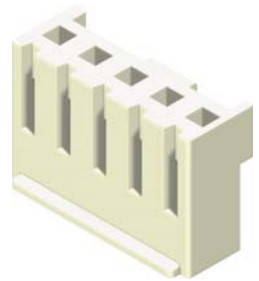
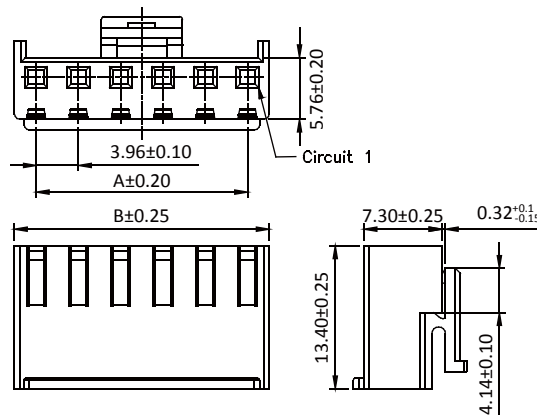
Part No.	Wire Range	Insulation O.D.	Material	Finish
3962-TTB-L	#18-#22	3.00mm(Max)	Brass	Tin Plated
3962-TTP-L			Phosphor Bronze	Tin Plated
3962-TGP-L				Gold Plated



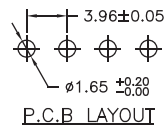
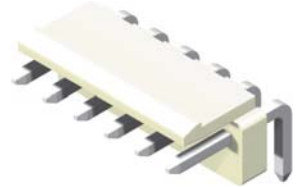
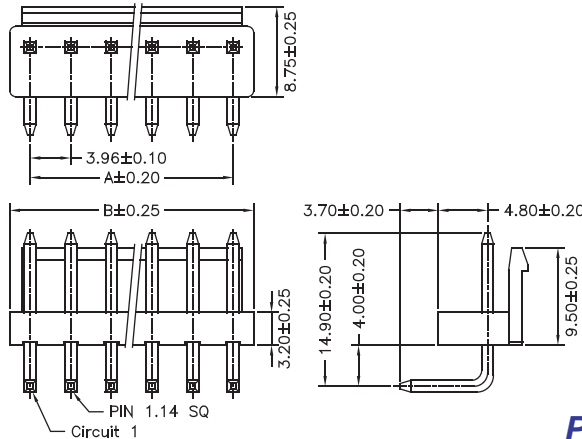
Part No.:3962-T-L

Housing Wafer Terminal

No. of Contacts	Dimensions	
	A	B
2	3.96	8.02
3	7.92	11.98
4	11.88	15.94
5	15.84	19.90
6	19.80	23.86
7	23.76	27.82
8	27.72	31.78
9	31.68	35.74
10	35.64	39.70
11	39.60	43.66
12	43.56	47.62
13	47.52	51.58
14	51.48	55.54
15	55.44	59.50

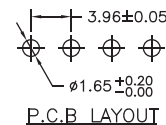
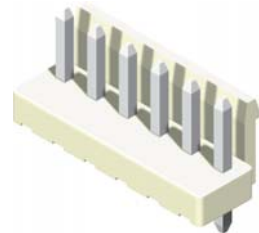
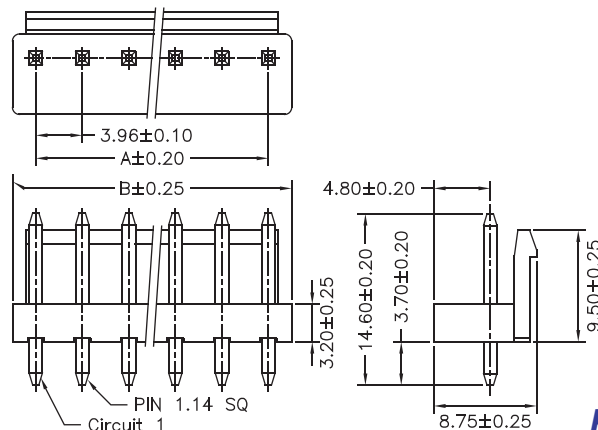


Part No.:3962H-XXW-L



Part No.:3962R-XXTW-L

No. of Contacts	Dimensions	
	A	B
2	3.96	7.92
3	7.92	11.88
4	11.88	15.84
5	15.84	19.80
6	19.80	23.76
7	23.76	27.72
8	27.72	31.68
9	31.68	35.64
10	35.64	39.60
11	39.60	43.56
12	43.56	47.52
13	47.52	51.48
14	51.48	55.44
15	55.44	59.40



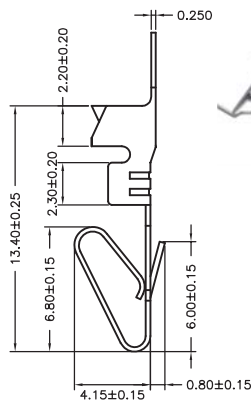
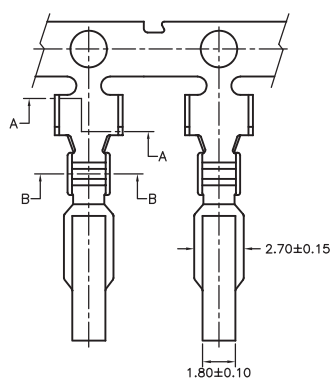
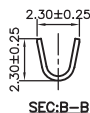
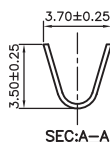
Part No.:3962S-XXTW-L

CONNECTOR MANUFACTURER

3.96mm Terminal / Housing / Wafer Straight Type

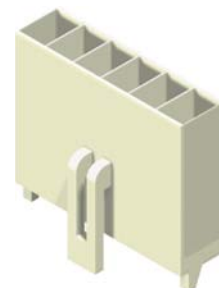
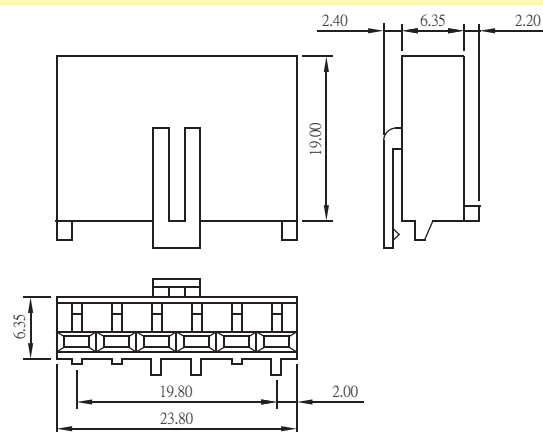
Specifications

Current Rating: 5A AC,DC
 Voltage Rating: 250V AC,DC
 Temperature Range: -25°C to +85°C
 Contact Resistance: 10mΩ Max
 Insulation Resistance: 1000MΩ Min
 Withstanding Voltage: 1500V AC/minute
 Terminal: Copper Alloy / Tin Plated
 Material: Nylon 66, UL94V-2

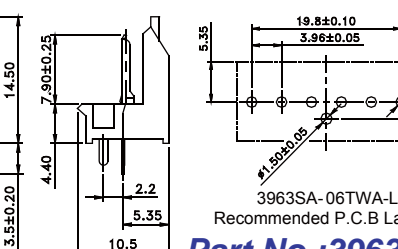
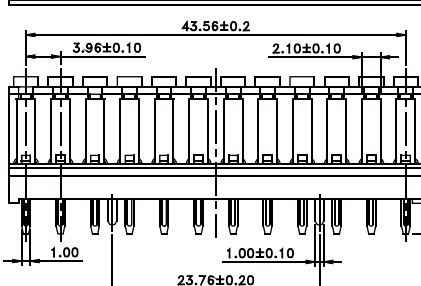
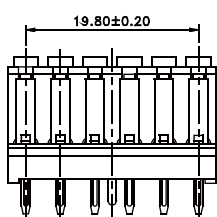
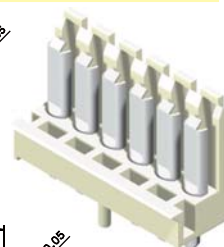
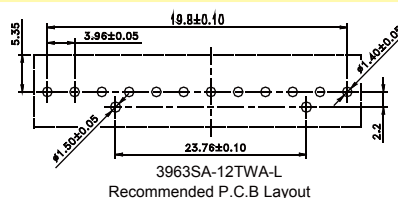
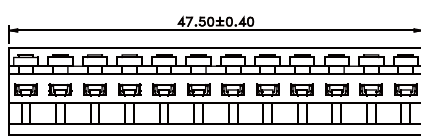
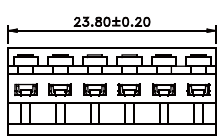


Part No.	Wire Range	Insulation O.D.	Material	Finish
3961-TTB-L	#18-#24	2.80mm(Max)	Brass	Tin Plated
3961-TGB-L				Gold Plated

Part No.:3961-T-L



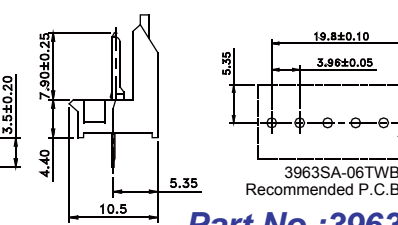
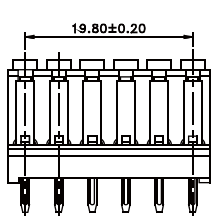
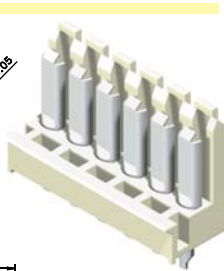
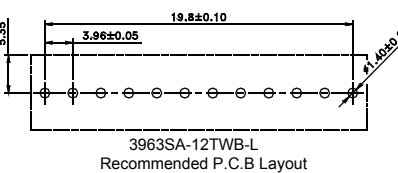
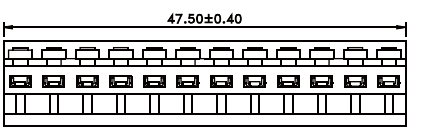
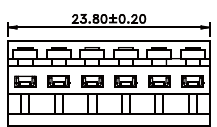
Part No.:3963H-06W-L



3963SA-06TWA-L

3963SA-12TWA-L

Part No.:3963SA-XXTWA-L



3963SA-06TWB-L

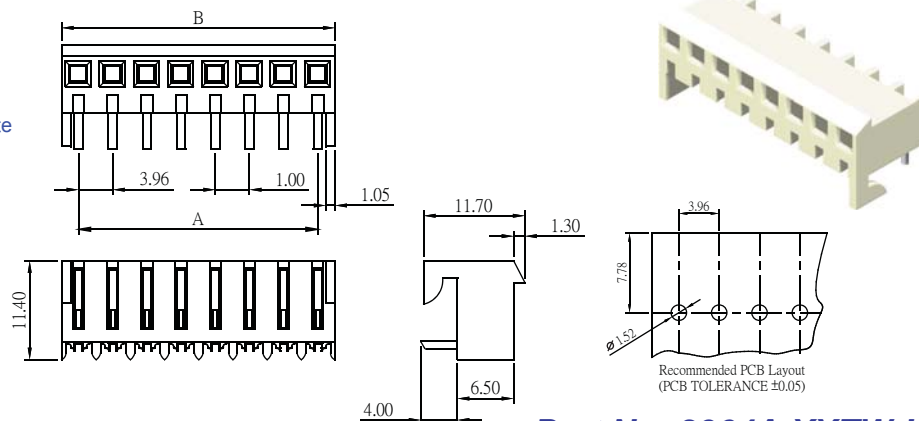
3963SA-12TWB-L

Part No.:3963SA-XXTWB-L



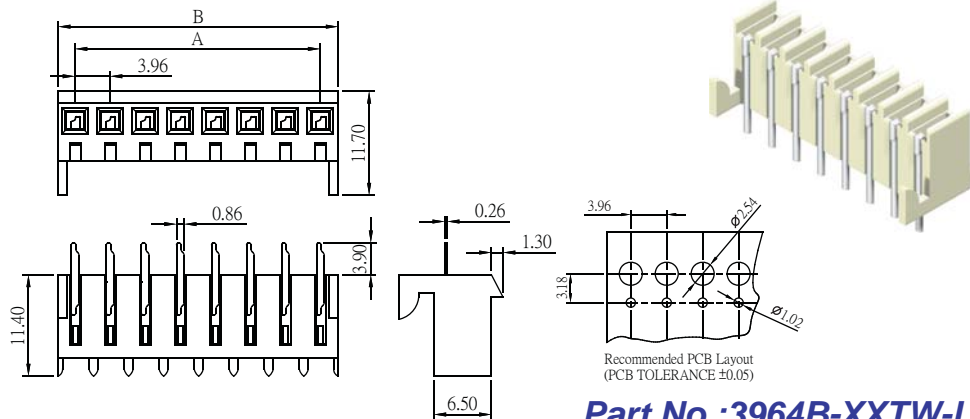
3.96mm Wafer DIP Type

Specifications
 Current Rating: 7A AC,DC
 Voltage Rating: 250V AC,DC
 Temperature Range: -25°C to +85°C
 Contact Resistance: 10mΩ Max
 Insulation Resistance: 1000MΩ Min
 Withstanding Voltage: 1500V AC/minute
 Material: Nylon 66,UL94V-2

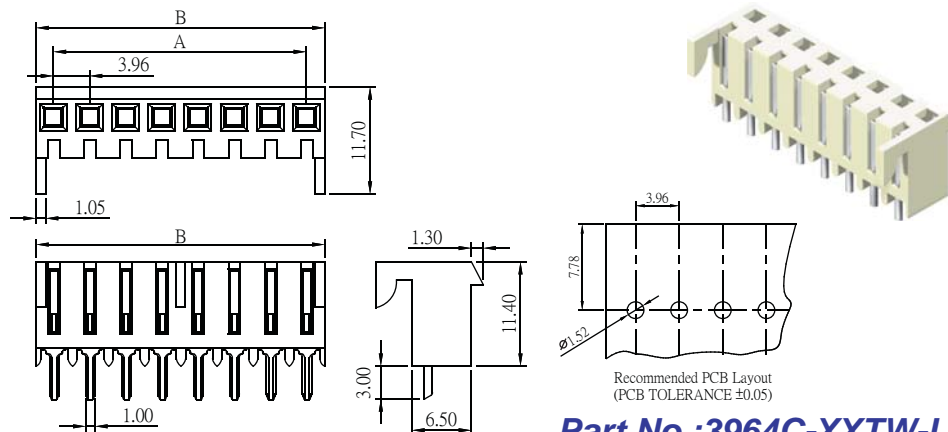


Part No.:3964A-XXTW-L

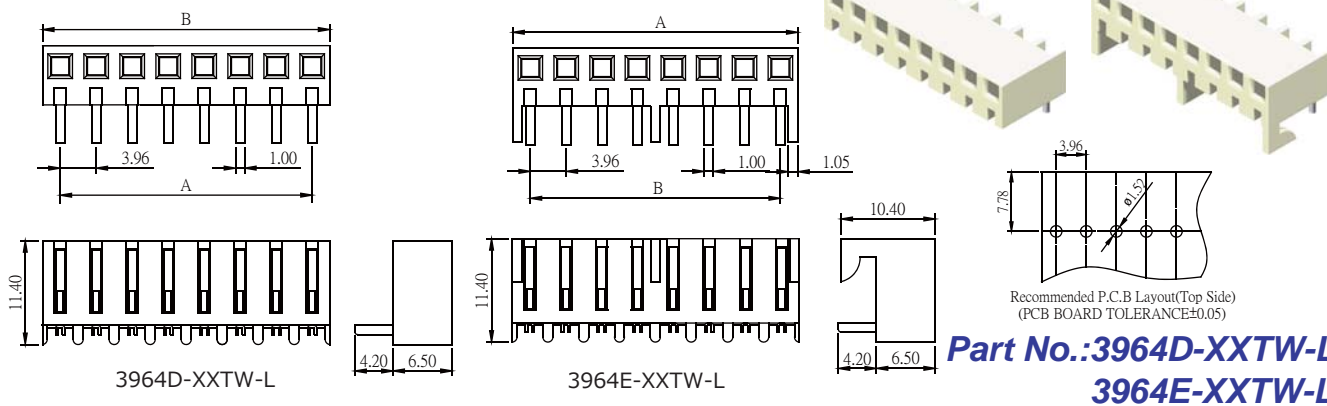
No. of Contacts	Dimensions	
	A	B
2	3.96	7.82
3	7.92	11.78
4	11.88	15.74
5	15.84	19.70
6	19.80	23.66
7	23.76	27.62
8	27.72	31.58
9	31.68	35.54
10	35.64	39.50
11	39.60	43.46
12	43.56	47.42
13	47.52	51.38
14	51.48	55.34
15	55.44	59.30
16	59.40	63.26
17	63.36	67.22
18	67.32	71.18
19	71.28	75.14
20	75.24	79.10
21	79.20	83.06
22	83.16	87.02
23	87.12	90.98
24	91.08	94.94
25	95.04	98.90



Part No.:3964B-XXTW-L



Part No.:3964C-XXTW-L



**Part No.:3964D-XXTW-L
3964E-XXTW-L**

Housing Wafer Terminal



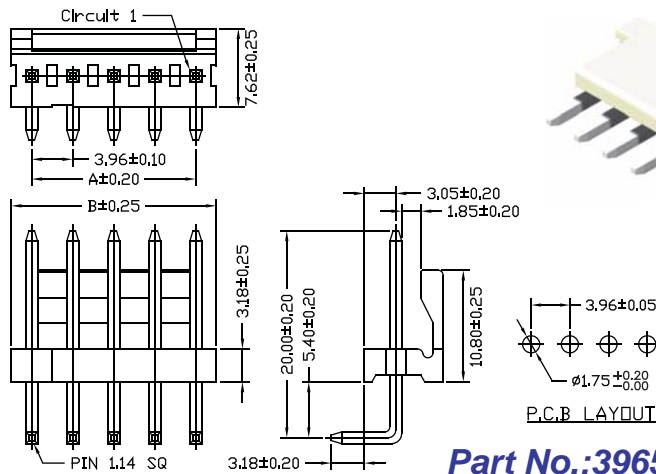
ROHS

AMTEK CONNECTOR MANUFACTURING

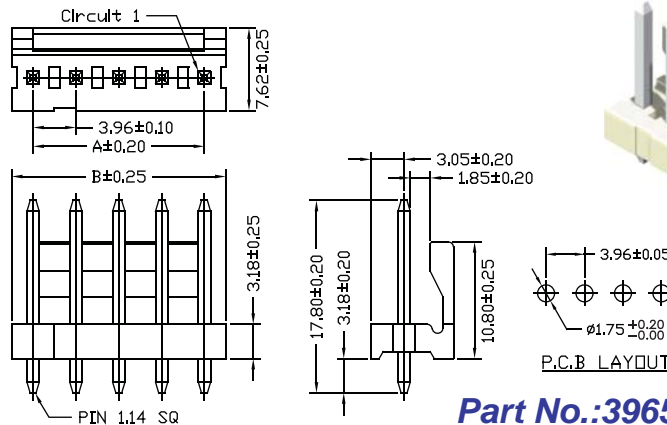
3.96mm Wafer Right Angle & Straight Type / Terminal / Housing

Specifications
 Current Rating: 7A AC,DC
 Voltage Rating: 600V AC,DC
 Temperature Range: -25°C to +85°C
 Contact Resistance: 3mΩ Max
 Insulation Resistance: 5000MΩ Min
 Withstanding Voltage: 2200V AC/minute
 Terminal: Brass / Tin Plated
 Material: Nylon 66, UL94V-0

No. of Contacts	Dimensions	
	A	B
2	3.96	7.92
3	7.92	11.88
4	11.88	15.84
5	15.84	19.80
6	19.80	23.76
7	23.76	27.72
8	27.72	31.68
9	31.68	35.64
10	35.64	39.60
11	39.60	43.56
12	43.56	47.52
13	47.52	51.48
14	51.48	55.44
15	55.44	59.40
16	59.40	63.36
17	63.36	67.32
18	67.32	71.28
19	71.28	75.24
20	75.24	79.20

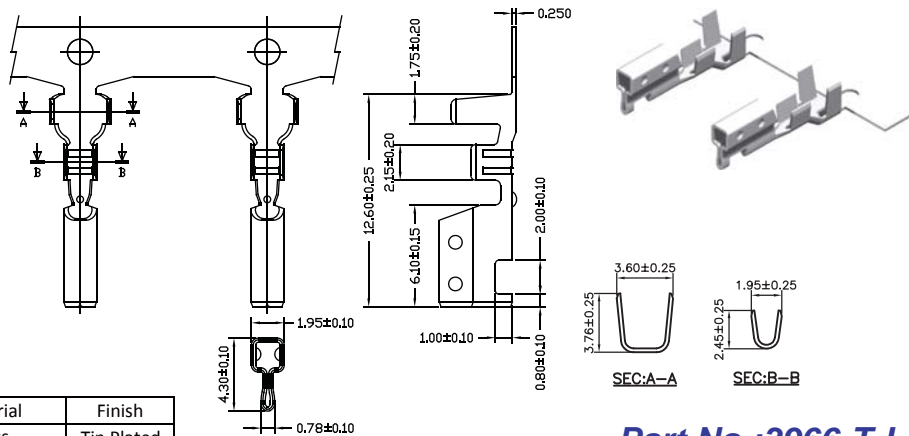


Part No.:3965R-XXTW-L



Part No.:3965S-XXTW-L

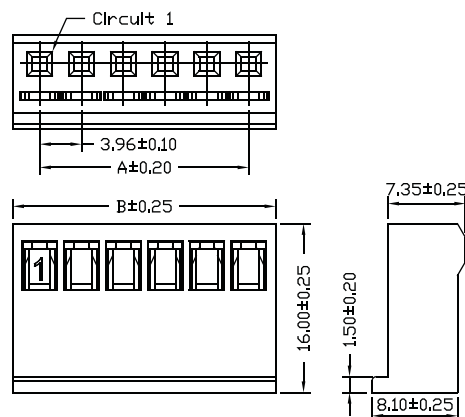
Specifications
 Current Rating: 7A AC,DC
 Voltage Rating: 250V AC,DC
 Temperature Range: -25°C to +85°C
 Contact Resistance: 10mΩ Max
 Insulation Resistance: 1000MΩ Min
 Withstanding Voltage: 1500V AC/minute
 Material: Nylon 66, UL94V-2



Wire Range	Insulation O.D.	Material	Finish
#18-#24	3.20mm(Max)	Brass	Tin Plated

Part No.:3966-T-L

No. of Contacts	Dimensions	
	A	B
2	3.96	9.06
3	7.92	13.02
4	11.88	16.98
5	15.84	20.94
6	19.80	24.90
7	23.76	28.86
8	27.72	32.82
9	31.68	36.78
10	35.64	40.74
11	39.60	44.70
12	43.56	48.66

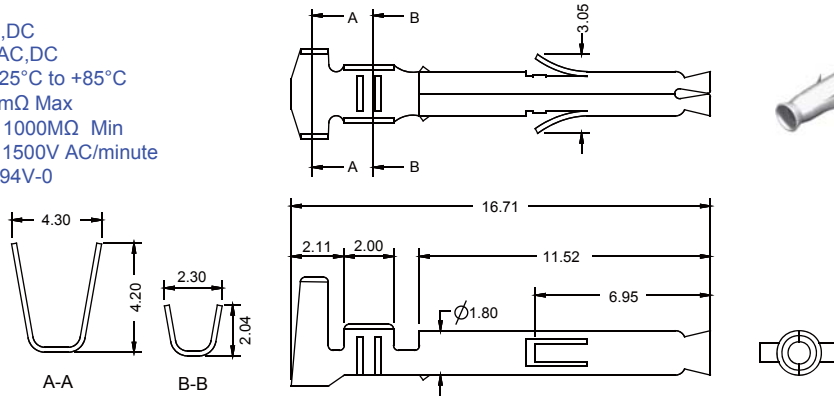


Part No.:3966H-XXW-L



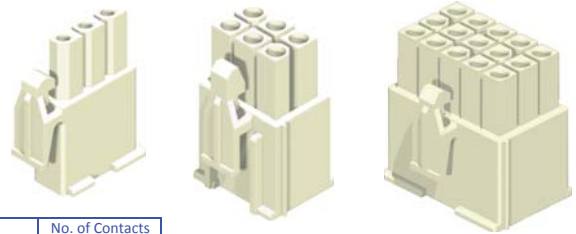
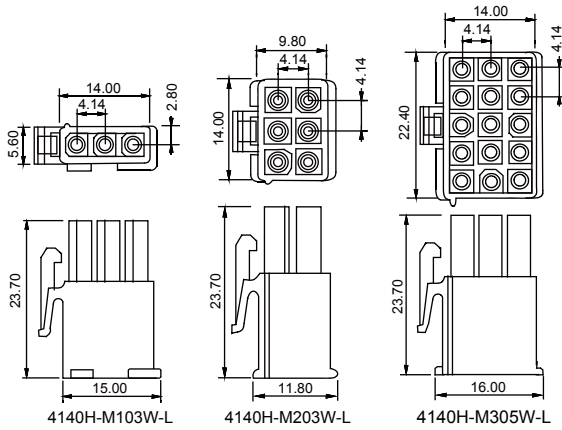
4.14mm Female & Male Terminal / Female & Male Housing

Specifications
 Current Rating: 4A AC,DC
 Voltage Rating: 250V AC,DC
 Temperature Range: -25°C to +85°C
 Contact Resistance: 7mΩ Max
 Insulation Resistance: 1000MΩ Min
 Withstanding Voltage: 1500V AC/minute
 Material: Nylon 66, UL94V-0



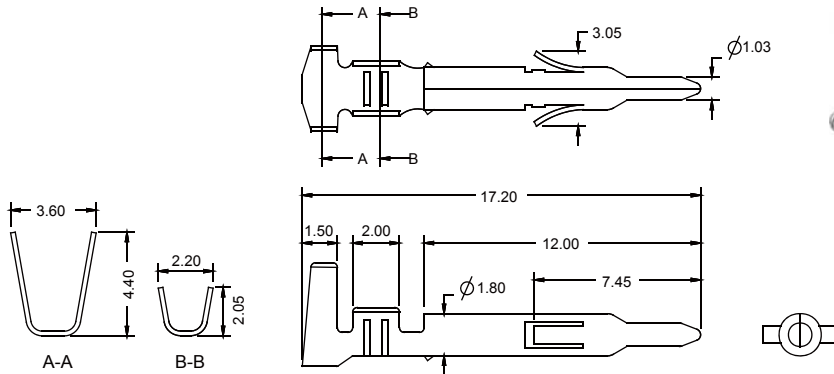
Wire Range	Insulation O.D.	Material	Finish
#18-#24	3.20mm(Max)	Brass	Tin Plated

Part No.:4140-FT-L



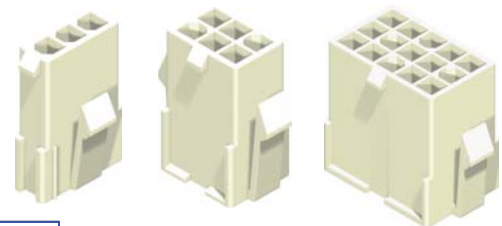
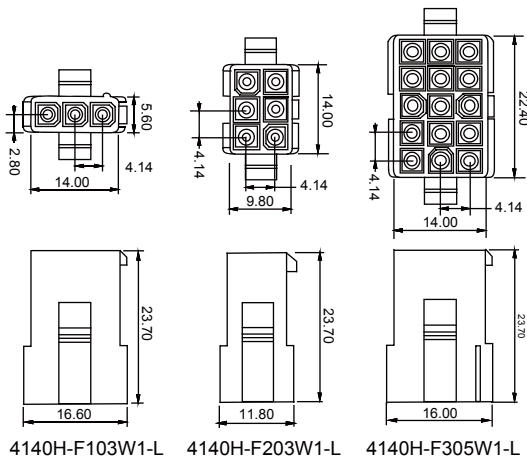
Part No.	No. of Contacts
4140H-M101W-L	1x1
4140H-M102W-L	1x2
4140H-M103W-L	1x3
4141H-M202W-L	2x2
4141H-M203W-L	2x3
4140H-M303W-L	3x3
4140H-M304W-L	3x4
4140H-M305W-L	3x5

Part No.:4140H-MXXXW-L



Wire Range	Insulation O.D.	Material	Finish
#18-#22	3.00mm(Max)	Brass	Tin Plated

Part No.:4140-MT-L



Part No.	No. of Contacts
4140H-F101W-L	1x1
4140H-F102W-L	1x2
4140H-F103W-L	1x3
4141H-F202W-L	2x2
4141H-F203W-L	2x3
4140H-F303W-L	3x3
4140H-F304W-L	3x4
4140H-F305W-L	3x5

Part No.:4140H-FXXXW-L

1:With Ear
 2:W/O Ear

Housing Wafer Terminal

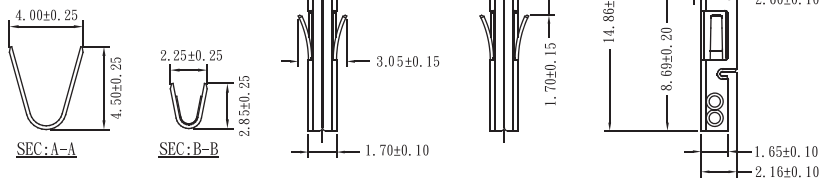


ROHS

4.2mm Female Terminal / Male Housing / Crimp Male Housing

Specifications

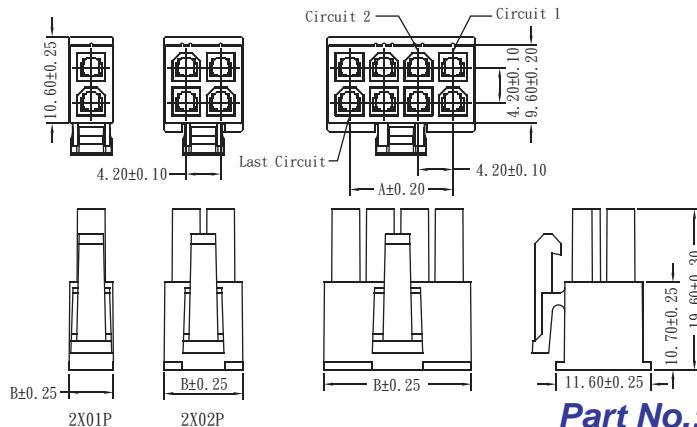
Current Rating: 9A AC,DC
 Voltage Rating: 600V AC,DC
 Temperature Range: 4200H: -25°C to +85°C
 4200HA: -40°C to +105°C
 Contact Resistance: 10mΩ Max
 Insulation Resistance: 1000MΩ Min
 Withstanding Voltage: 1500V AC/minute
 Material: Nylon 66, UL94V-2



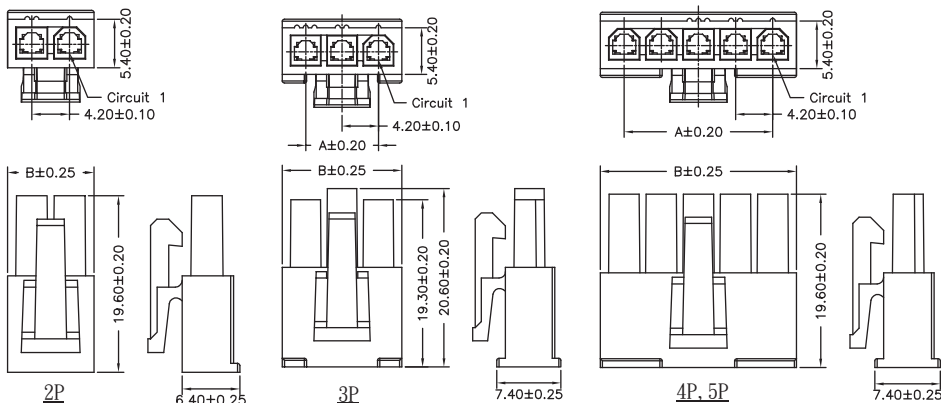
Part No.	Wire Range	Insulation O.D.	Material	Finish
4200-FTB-L	#16-#24	3.10mm(Max)	Brass	Tin Plated
4200-FTP-L			Phosphor Bronze	

Part No.:4200-FT-L

No. of Contacts	Dimensions	
	A	B
2x1	---	5.70
2x2	4.20	9.60
2x3	8.40	13.80
2x4	12.60	18.00
2x5	16.80	22.20
2x6	21.00	26.40
2x7	25.20	30.60
2x8	29.40	34.80
2x9	33.60	39.00
2x10	37.80	43.20
2x11	42.00	47.40
2x12	46.20	51.60



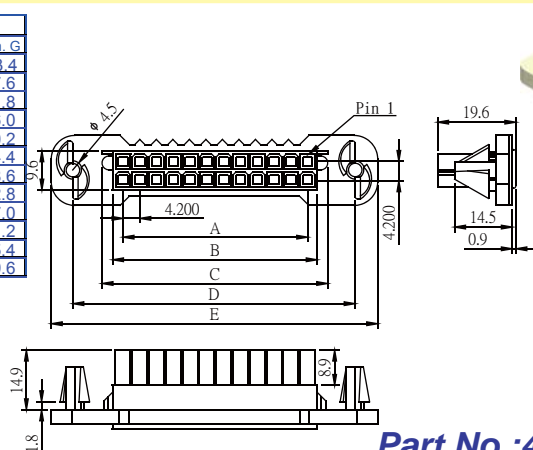
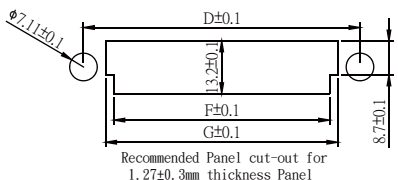
Part No.:4200H-M2XXW-L



No. of Contacts	A	B
02	4.20	9.60
03	8.40	13.80
04	12.60	18.00
05	16.80	22.20

Part No.:4200H-M1XXW-L

Dimensional Information (mm)							
Contacts	Dim. A	Dim. B	Dim. C	Dim. D	Dim. E	Dim. F	Dim. G
2x1	5.4	10.1	25.0	36.0	8.7	13.4	
2x2	4.2	9.6	14.3	29.2	40.2	12.9	17.6
2x3	8.4	13.8	18.5	33.4	44.4	17.1	21.8
2x4	12.6	18.0	22.7	37.6	48.6	21.3	26.0
2x5	16.8	22.2	26.9	41.8	52.8	25.5	30.2
2x6	21.0	26.4	31.1	46.0	57.0	29.7	34.4
2x7	25.2	30.6	35.3	50.2	61.2	33.9	38.6
2x8	29.4	34.8	39.5	54.4	65.4	38.1	42.8
2x9	33.6	39.0	43.7	58.6	69.6	42.3	47.0
2x10	37.8	43.2	47.9	62.8	73.8	46.5	51.2
2x11	42.0	47.4	52.1	67.0	78.0	50.7	55.4
2x12	46.2	51.6	56.3	71.2	82.2	54.9	59.6



Part No.:4200HA-M2XXW-L

CONNECTORS MANUFACTURER

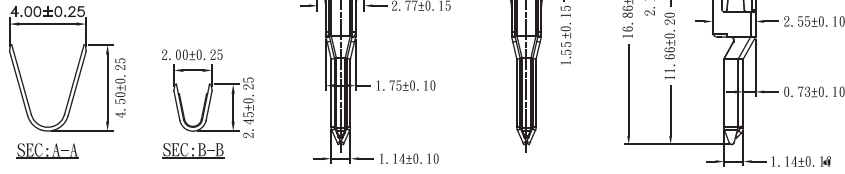


4.2mm Male Terminal / Female Housing / Crimp Female Housing

Specifications

Current Rating: 9A AC,DC
 Voltage Rating: 600V AC,DC
 Temperature Range: 4200H: -25°C to +85°C
 4200HA: -40°C to +105°C

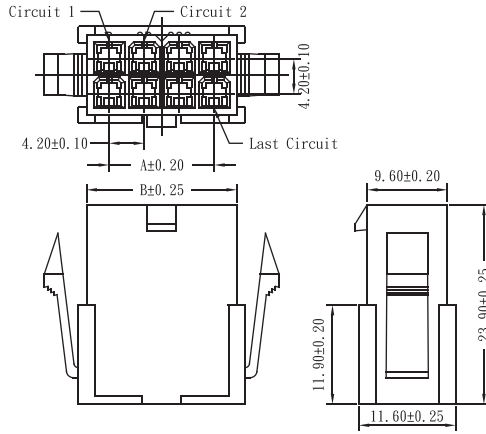
Contact Resistance: 10mΩ Max
 Insulation Resistance: 1000MΩ Min
 Withstanding Voltage: 1500V AC/minute
 Material: Nylon 66, UL94V-2



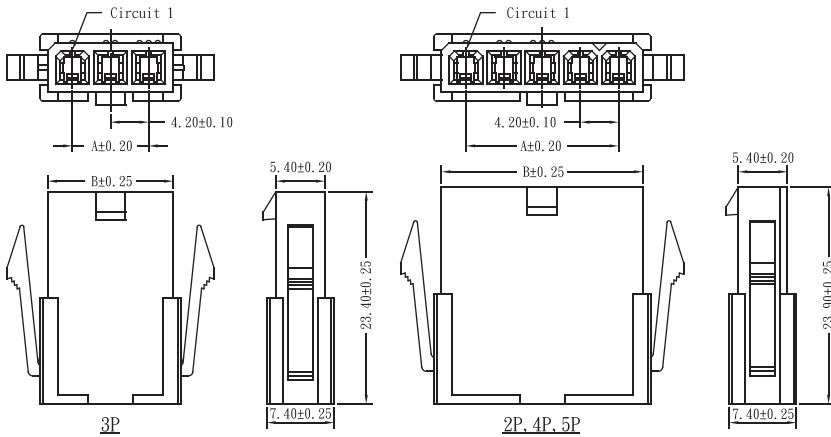
Wire Range	Insulation O.D.	Material	Finish
#18-#24	3.10mm(Max)	Brass	Tin Plated

Part No.:4200-MT-L

No. of Contacts	Dimensions	
	A	B
2x1	---	5.40
2x2	4.20	9.60
2x3	8.40	13.80
2x4	12.60	18.00
2x5	16.80	22.20
2x6	21.00	26.40
2x7	25.20	30.60
2x8	29.40	34.80
2x9	33.60	39.00
2x10	37.80	43.20
2x11	42.00	47.40
2x12	46.20	51.60



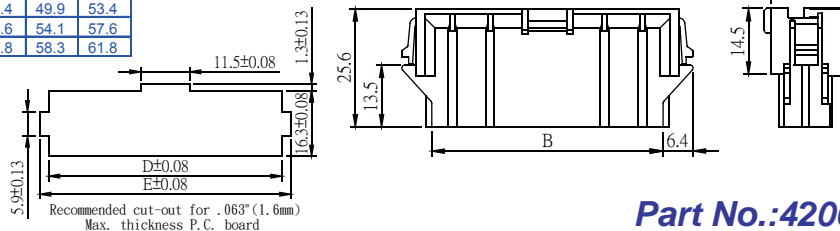
Part No.:4200H-F2XXW-L



No. of Contacts	A	B
02	4.20	9.60
03	8.40	13.80
04	12.60	18.00
05	16.80	22.20

Part No.:4200H-F1XXW-L

Contacts	Dimensional Information (mm)				
	Dim. A	Dim. B	Dim. C	Dim. D	Dim. E
2x1	5.4	11.6	12.1	15.6	
2x2	4.2	9.6	15.8	16.3	19.8
2x3	8.4	13.8	20.0	20.5	24.0
2x4	12.6	18.0	24.2	24.7	28.2
2x5	16.8	22.2	28.4	28.9	32.4
2x6	21.0	26.4	32.6	33.1	36.6
2x7	25.2	30.6	36.8	37.3	40.8
2x8	29.4	34.8	41.0	41.5	45.0
2x9	33.6	39.0	45.2	45.7	49.2
2x10	37.8	43.2	49.4	49.9	53.4
2x11	42.0	47.4	53.6	54.1	57.6
2x12	46.2	51.6	57.8	58.3	61.8



Part No.:4200HA-F2XXW-L

Housing Wafer Terminal

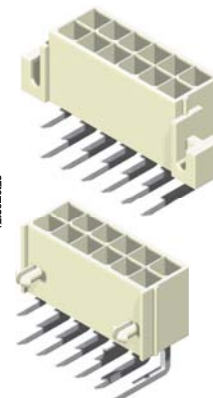
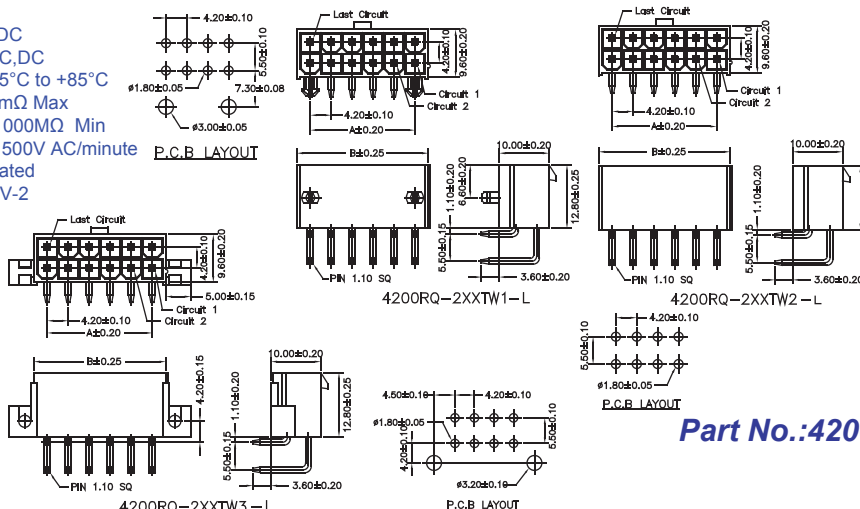


ROHS

4.2mm Wafer Square Pin Right Angle / Straight Type

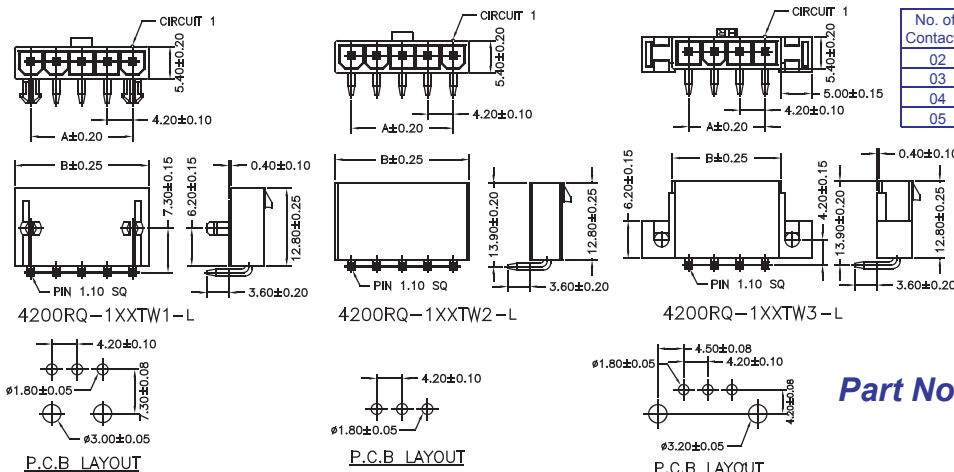
Specifications
 Current Rating: 9A AC,DC
 Voltage Rating: 600V AC,DC
 Temperature Range: -25°C to +85°C
 Contact Resistance: 10mΩ Max
 Insulation Resistance: 1000MΩ Min
 Withstanding Voltage: 1500V AC/minute
 Terminal: Brass / Tin Plated
 Material: Nylon 66, UL94V-2

No. of Contacts	Dimensions	
	A	B
2x1	---	5.40
2x2	4.20	9.60
2x3	8.40	13.80
2x4	12.60	18.00
2x5	16.80	22.20
2x6	21.00	26.40
2x7	25.20	30.60
2x8	29.40	34.80
2x9	33.60	39.00
2x10	37.80	43.20
2x11	42.00	47.40
2x12	46.20	51.60

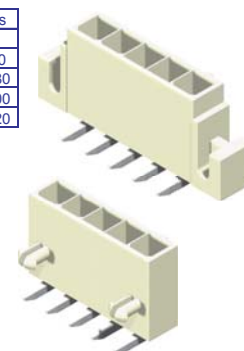


Part No.: 4200RQ-2XXTW-L

- 1: With Post
- 2: W/O Post
- 3: With Mount Ear



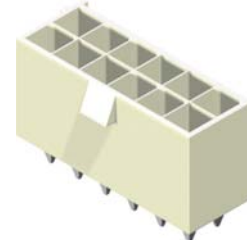
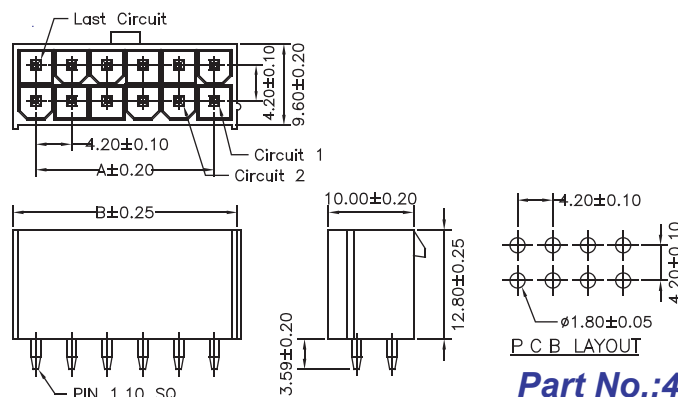
No. of Contacts	Dimensions	
	A	B
02	4.20	9.60
03	8.40	13.80
04	12.60	18.00
05	16.80	22.20



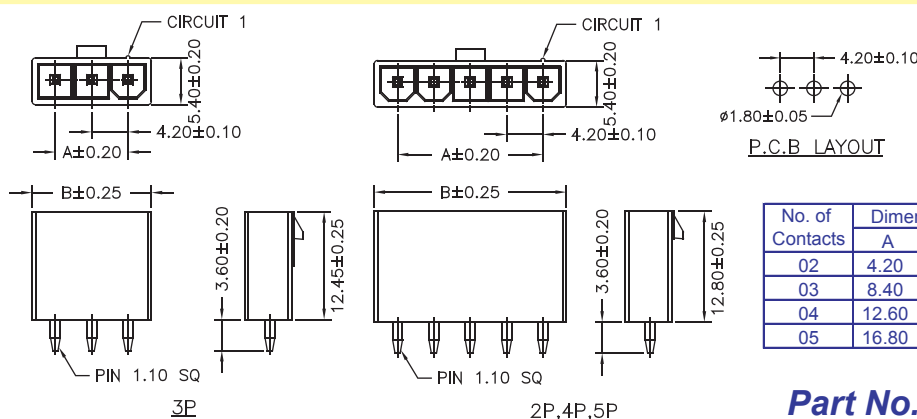
Part No.: 4200RQ-1XXTW-L

- 1: With Post
- 2: W/O Post
- 3: With Mount Ear

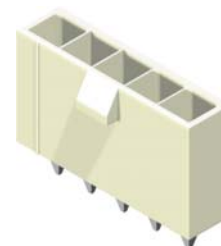
No. of Contacts	Dimensions	
	A	B
2x1	---	5.40
2x2	4.20	9.60
2x3	8.40	13.80
2x4	12.60	18.00
2x5	16.80	22.20
2x6	21.00	26.40
2x7	25.20	30.60
2x8	29.40	34.80
2x9	33.60	39.00
2x10	37.80	43.20
2x11	42.00	47.40
2x12	46.20	51.60



Part No.: 4200SQ-2XXTW2-L



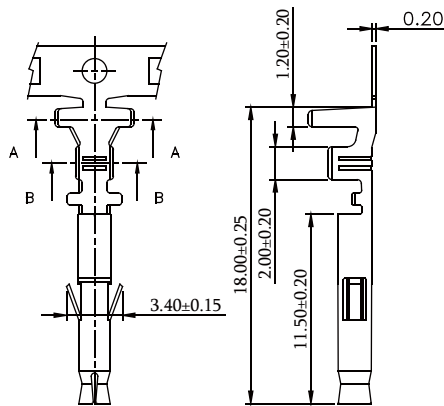
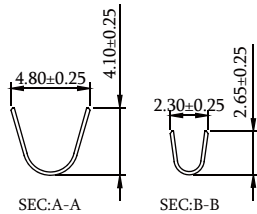
No. of Contacts	Dimensions	
	A	B
02	4.20	9.60
03	8.40	13.80
04	12.60	18.00
05	16.80	22.20



Part No.: 4200SQ-1XXTW2-L

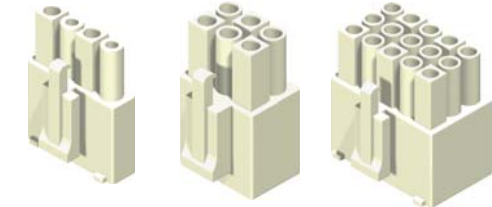
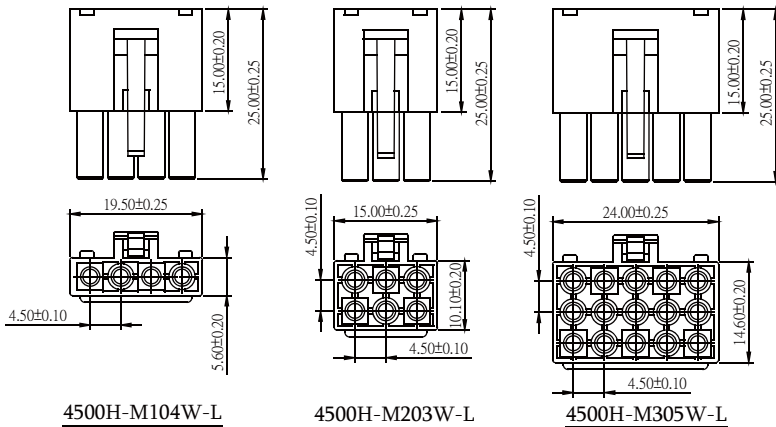
4.5mm Female & Male Terminal / Female & Male Housing

Specifications
 Current Rating: 5A AC,DC
 Voltage Rating: 250V AC,DC
 Temperature Range: -25°C to +85°C
 Contact Resistance: 10mΩ Max
 Insulation Resistance: 1000MΩ Min
 Withstanding Voltage: 1500V AC/minute
 Material:Nylon 66,UL94V-0



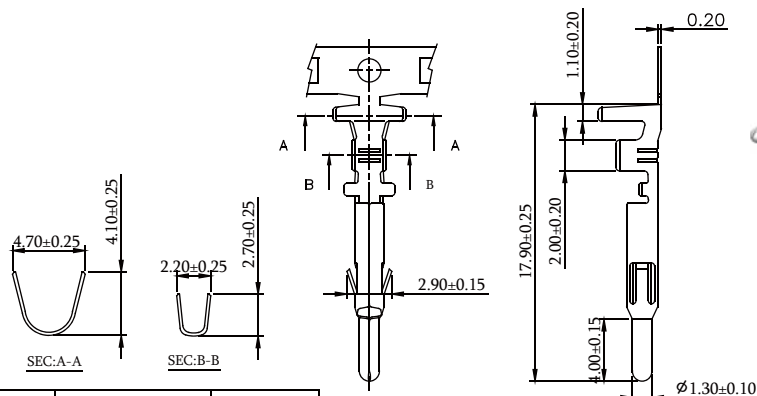
Wire Range	Insulation O.D.	Material	Finish
#20-#24	2.70mm(Max)	Brass	Tin Plated

Part No.:4500-FT-L



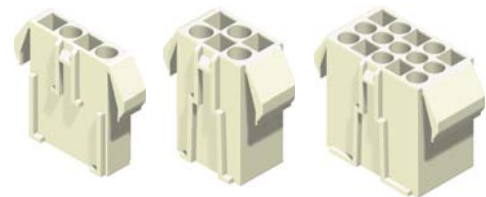
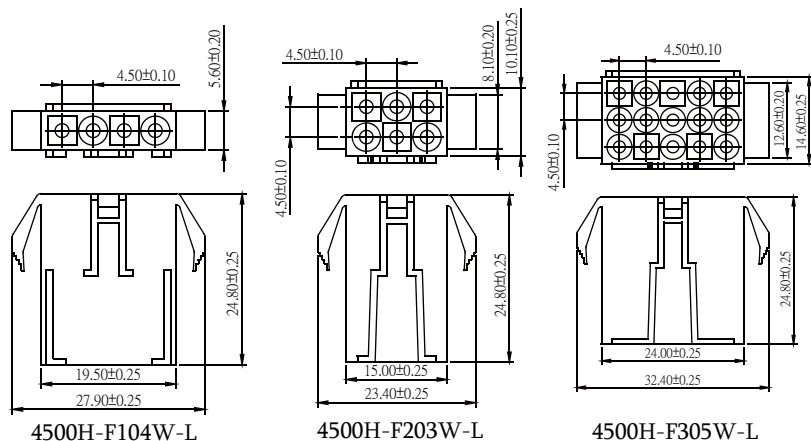
Part No.	No. of Contacts
4500H-F102W-L	1x2
4500H-F103W-L	1x3
4500H-F104W-L	1x4
4500H-F202W-L	2x2
4500H-F203W-L	2x3
4500H-F303W-L	3x3
4500H-F304W-L	3x4
4500H-F305W-L	3x5

Part No.:4500H-MXXXW-L



Wire Range	Insulation O.D.	Material	Finish
#20-#24	2.70mm(Max)	Brass	Tin Plated

Part No.:4500-MT-L



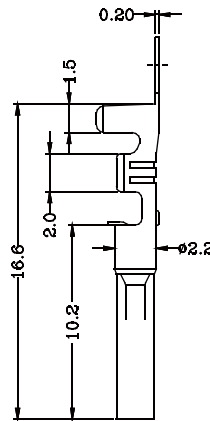
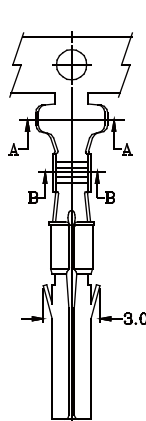
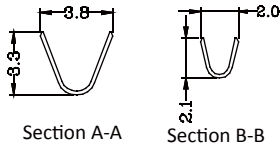
Part No.	No. of Contacts
4500H-F102W-L	1x2
4500H-F103W-L	1x3
4500H-F104W-L	1x4
4500H-F202W-L	2x2
4500H-F203W-L	2x3
4500H-F303W-L	3x3
4500H-F304W-L	3x4
4500H-F305W-L	3x5

Part No.:4500H-FXXXW-L



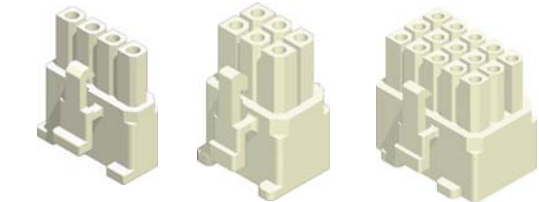
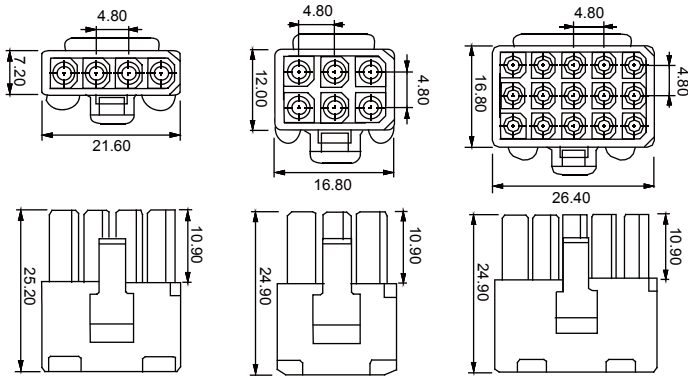
4.8mm Female & Male Terminal / Female & Male Housing

Specifications
 Current Rating: 5A AC,DC
 Voltage Rating: 250V AC,DC
 Temperature Range: -25°C to +85°C
 Contact Resistance: 10mΩ Max
 Insulation Resistance: 1000MΩ Min
 Withstanding Voltage: 1500V AC/minute
 Material: Nylon 66,UL94V-2



Wire Range	Insulation O.D.	Material	Finish
#20-#24	1.85mm(Max)	Brass	Tin Plated

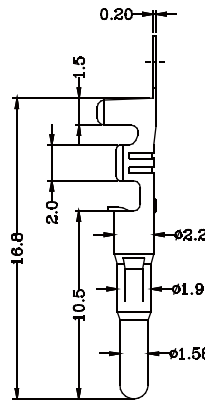
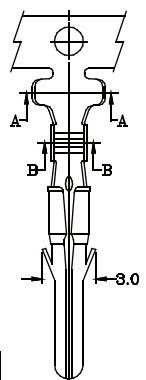
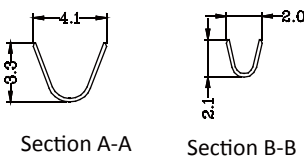
Part No.:4800-FT-L



Part No.	No. of Contacts
4800H-M102W-L	1x2
4800H-M103W-L	1x3
4800H-M104W-L	1x4
4800H-M203W-L	2x3
4800H-M303W-L	3x3
4800H-M304W-L	3x4
4800H-M305W-L	3x5

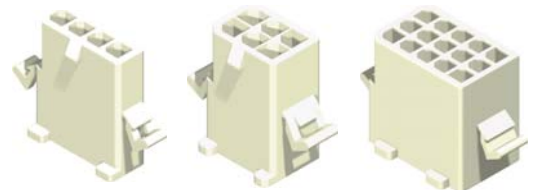
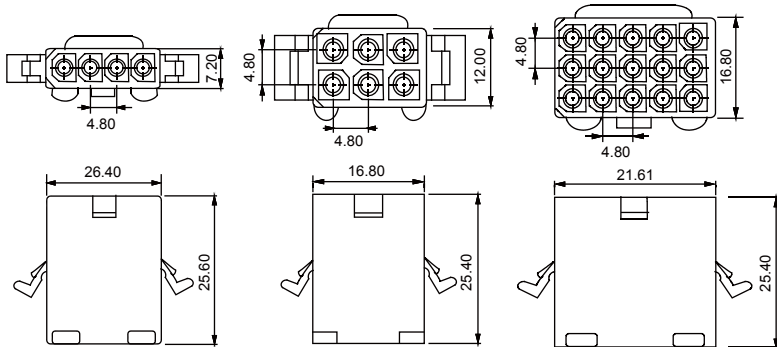
4800H-M104W-L 4800H-M203W-L 4800H-M305W-L

Part No.:4800H-MXXXW-L



Wire Range	Insulation O.D.	Material	Finish
#20-#24	1.85mm(Max)	Brass	Tin Plated

Part No.:4800-MT-L



Part No.	No. of Contacts
4800H-F102W-L	1x2
4800H-F103W-L	1x3
4800H-F104W-L	1x4
4800H-F203W-L	2x3
4800H-F303W-L	3x3
4800H-F304W-L	3x4
4800H-F305W-L	3x5

4800H-F104W1-L 4800H-F203W1-L 4800H-F305W1-L
 4800H-F104W2-L 4800H-F203W2-L 4800H-F305W2-L

Part No.:4800H-FXXXW-L

1:With Ear
 2:W/O Ear

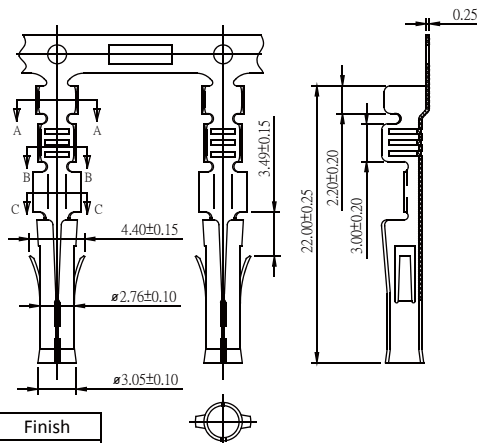
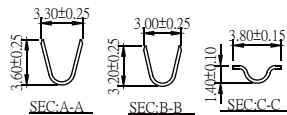
Housing Wafer Terminal



ROHS

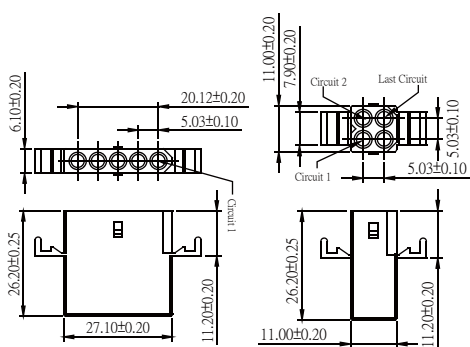
5.03mm Female & Male Terminal / Female & Male Housing

Specifications
 Current Rating: 12A AC,DC
 Voltage Rating: 250V AC,DC
 Temperature Range: -25°C to +85°C
 Contact Resistance: 10mΩ Max
 Insulation Resistance: 1000MΩ Min
 Withstanding Voltage: 1500V AC/minute
 Material: Nylon 66, UL94V-2



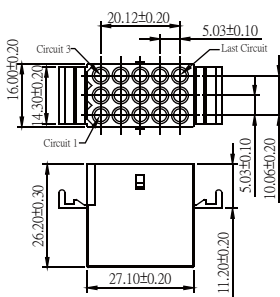
Wire Range	Insulation O.D.	Material	Finish
#18-#24	3.10mm(Max)	Brass	Tin Plated

Part No.:5030-FT-L



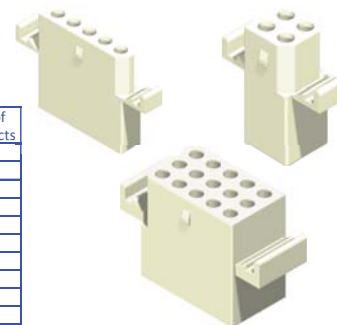
5030H-M105W1-L
5030H-M105W2-L

5030H-M202W1-L
5030H-M202W2-L



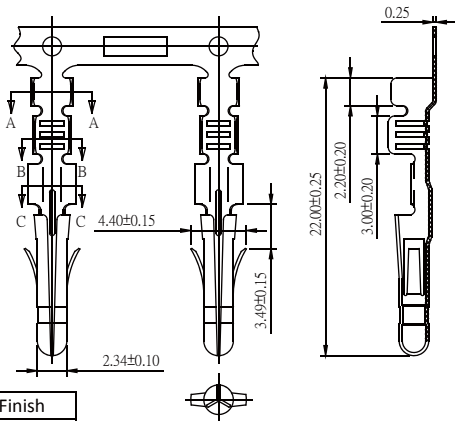
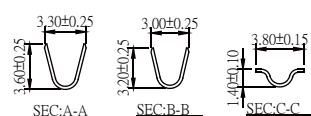
5030H-M305W1-L
5030H-M305W2-L

Part No.	No. of Contacts
5030H-M101W-L	1x1
5030H-M102W-L	1x2
5030H-M103W-L	1x3
5030H-M104W-L	1x4
5030H-M105W-L	1x5
5030H-M202W-L	2x2
5030H-M302W-L	3x2
5030H-M303W-L	3x3
5030H-M304W-L	3x4
5030H-M305W-L	3x5



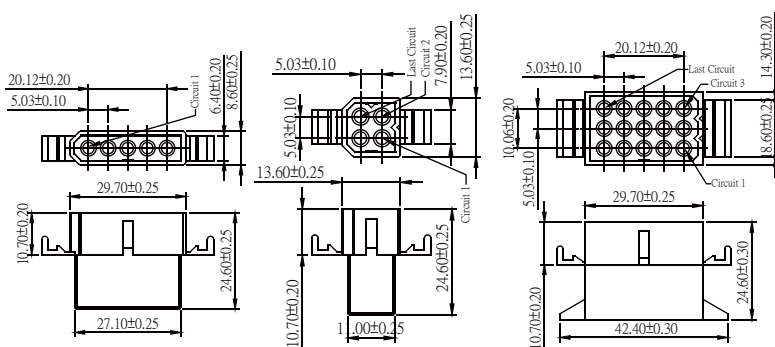
Part No.:5030H-MXXXW-L

1:With Ear
2:W/O Ear



Wire Range	Insulation O.D.	Material	Finish
#18-#24	3.10mm(Max)	Brass	Tin Plated

Part No.:5030-MT-L

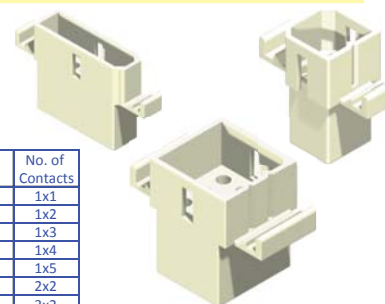


5030H-F105W1-L
5030H-F105W2-L

5030H-F202W1-L
5030H-F202W2-L

5030H-F305W1-L
5030H-F305W2-L

Part No.	No. of Contacts
5030H-F101W-L	1x1
5030H-F102W-L	1x2
5030H-F103W-L	1x3
5030H-F104W-L	1x4
5030H-F105W-L	1x5
5030H-F202W-L	2x2
5030H-F302W-L	3x2
5030H-F303W-L	3x3
5030H-F304W-L	3x4
5030H-F305W-L	3x5



Part No.:5030H-FXXXW-L

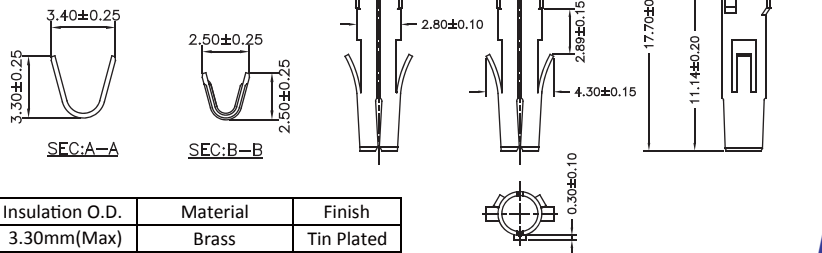
1:With Ear
2:W/O Ear



5.08mm Female & Male Terminal / Female & Male Housing

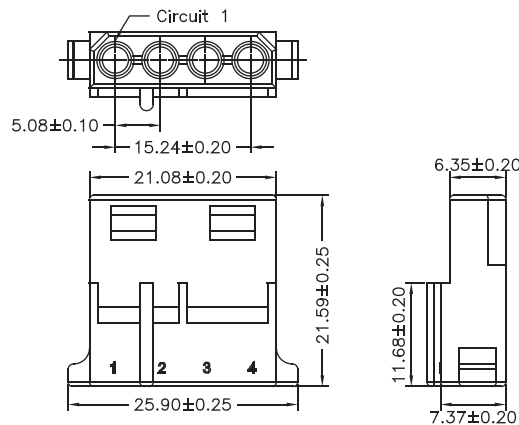
Specifications

Current Rating: 10A AC,DC
 Voltage Rating: 250V AC,DC
 Temperature Range: -25°C to +85°C
 Contact Resistance: 10mΩ Max
 Insulation Resistance: 1000MΩ Min
 Withstanding Voltage: 1500V AC/minute
 Material: Nylon 66,UL94V-2

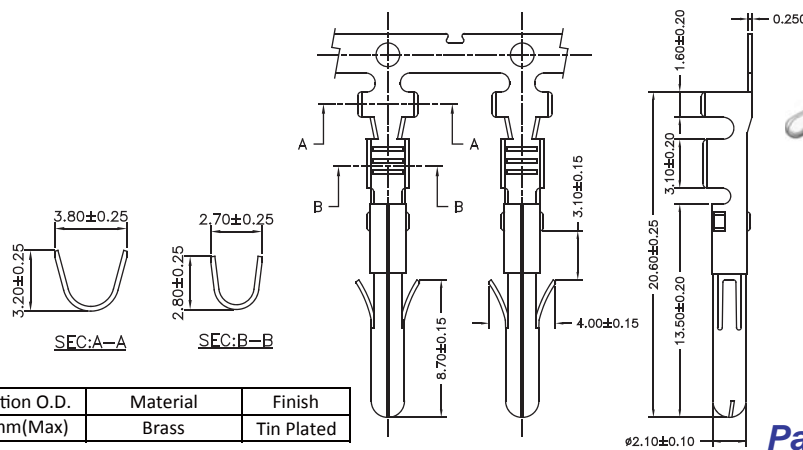


Wire Range	Insulation O.D.	Material	Finish
#14-#20	3.30mm(Max)	Brass	Tin Plated

Part No.:5082-FT-L

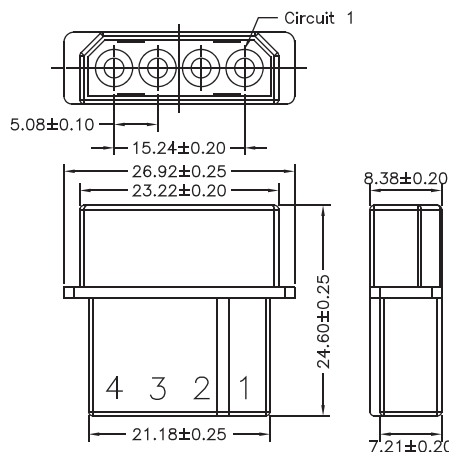


Part No.:5082H-F04W-L



Wire Range	Insulation O.D.	Material	Finish
#18-#24	2.50mm(Max)	Brass	Tin Plated

Part No.:5082-MT-L



Part No.:5082H-M04W-L

Housing Wafer Terminal

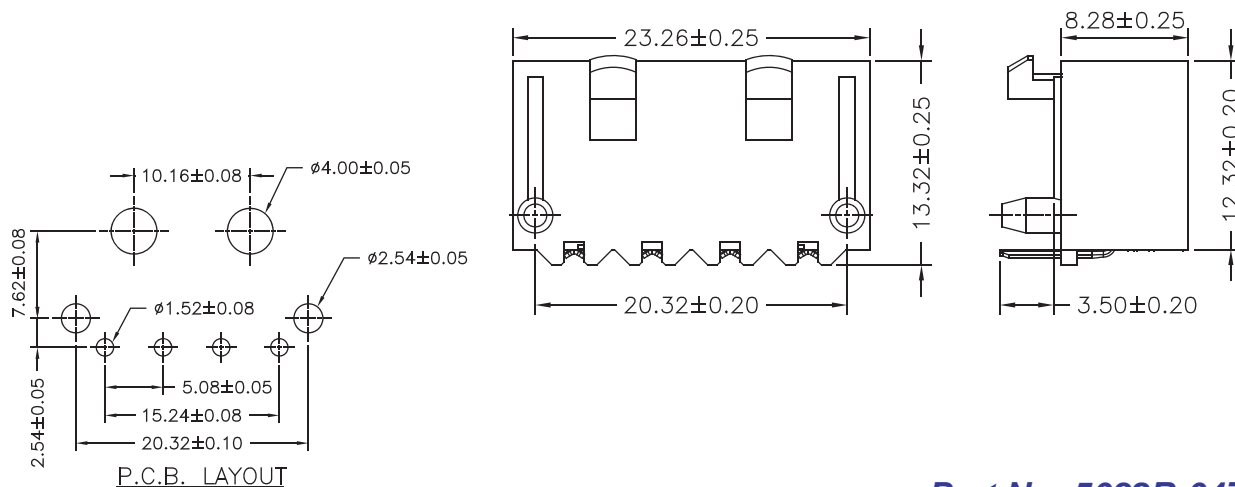
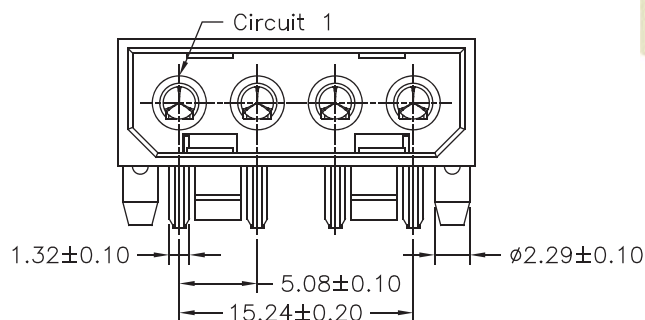
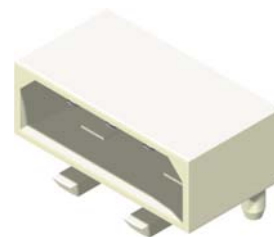


ROHS

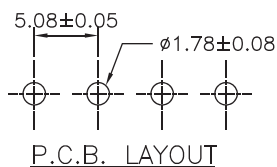
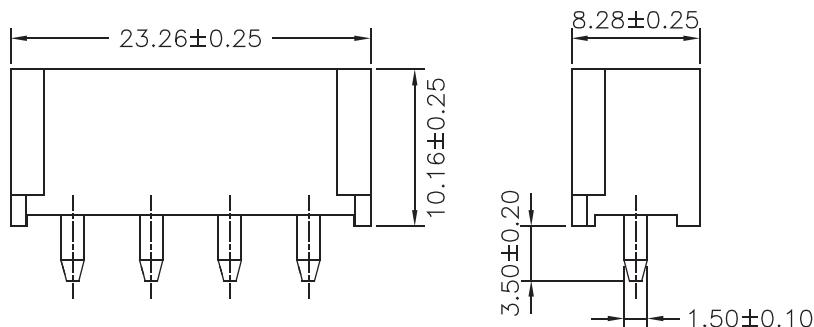
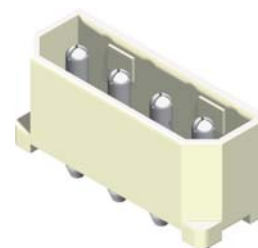
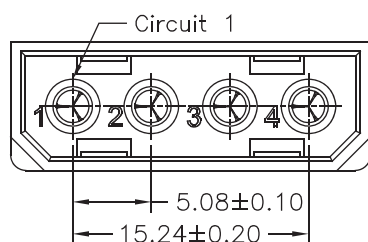
5.08mm Wafer Right Angle / Straight Type

Specifications

Current Rating: 10A AC,DC
 Voltage Rating: 250V AC,DC
 Temperature Range: -25°C to +85°C
 Contact Resistance: 10mΩ Max
 Insulation Resistance: 1000MΩ Min
 Withstanding Voltage: 1500V AC/minute
 Terminal: Brass / Tin Plated
 Material: Nylon 66,UL94V-2



Part No.:5082R-04TW-L

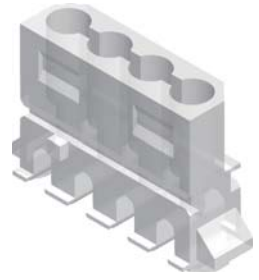
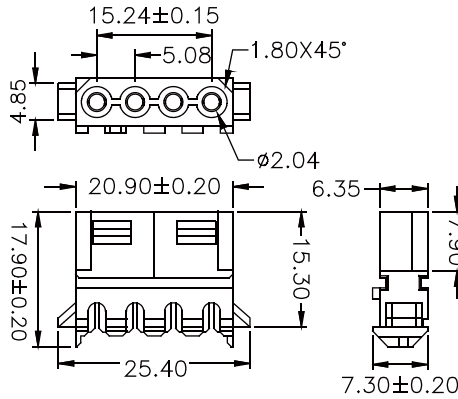


Part No.:5082S-04TW-L

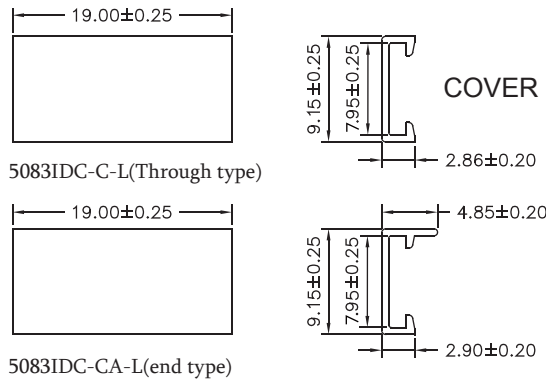


5.08mm Housing IDC Type & Cover

Specifications
 Current Rating: 7A AC,DC
 Voltage Rating: 250V AC,DC
 Temperature Range: -25°C to +85°C
 Contact Resistance: 10mΩ Max
 Insulation Resistance: 1000MΩ Min
 Withstanding Voltage: 1500V
 Terminal: Copper Alloy / Tin Plated
 Material: Nylon 66,UL94V-2



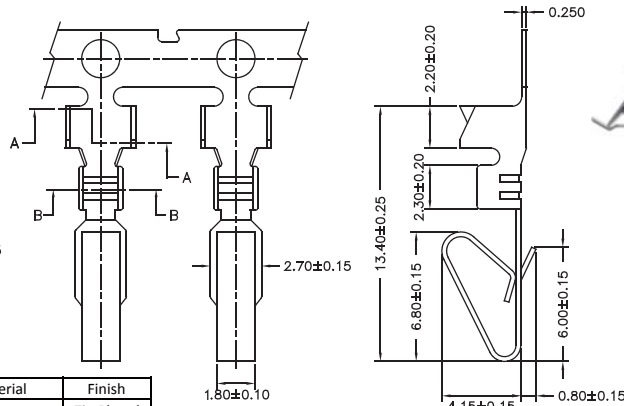
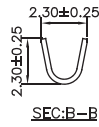
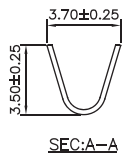
Part No.:5083IDC-04W-L
 18:18 AWG
 20:20 AWG
 22:22 AWG



Part No.:5083IDC-C-L

5.08mm Terminal / Male Housing

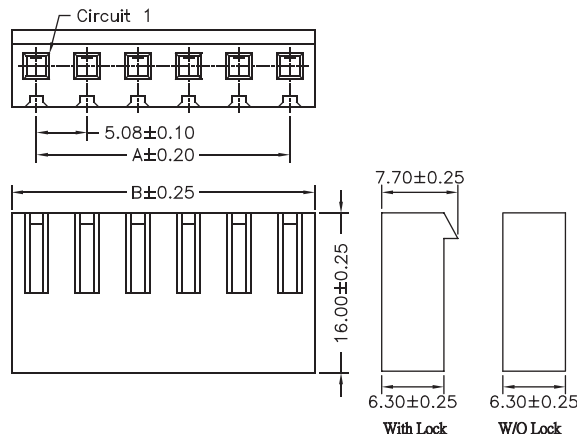
Specifications
 Current Rating: 7A AC,DC
 Voltage Rating: 250V AC,DC
 Temperature Range: -25°C to +85°C
 Contact Resistance: 10mΩ Max
 Insulation Resistance: 1000MΩ Min
 Withstanding Voltage: 1500V AC/minute
 Material: Nylon 66,UL94V-2



Part No.	Wire Range	Insulation O.D.	Material	Finish
3961-TTB-L	#18-#24	2.80mm(Max)	Brass	Tin Plated
3961-TGB-L				Gold Plated

Part No.:3961-T-L

No. of Contacts	Dimensions	
	A	B
2	5.08	10.08
3	10.16	15.16
4	15.24	20.24
5	20.32	25.32
6	25.40	30.40
7	30.48	35.48
8	35.56	40.56
9	40.64	45.64
10	45.72	50.72
11	50.80	55.80
12	55.88	60.88
13	60.96	65.96
14	66.04	71.04
15	71.12	76.12
16	76.20	81.20
17	81.28	86.28
18	86.36	91.36
19	91.44	96.44
20	96.52	101.52



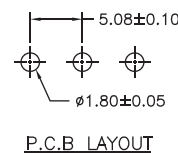
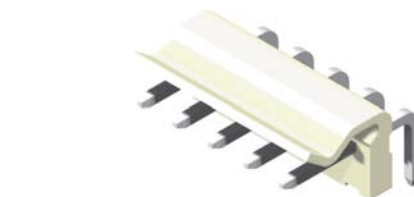
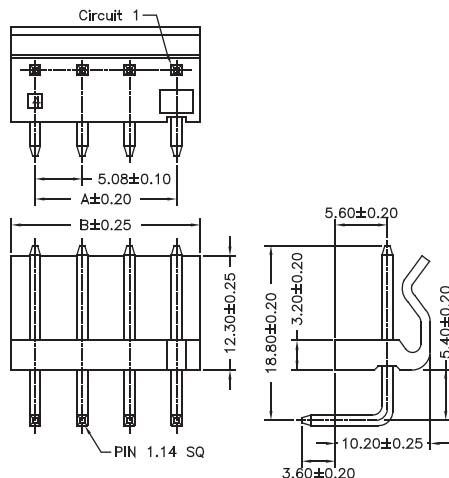
Part No.:5083H-XXW-L
 1:With Lock
 2:W/O Lock



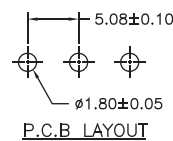
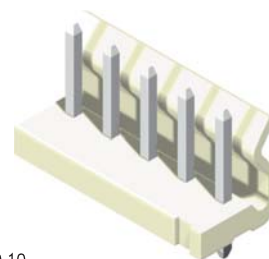
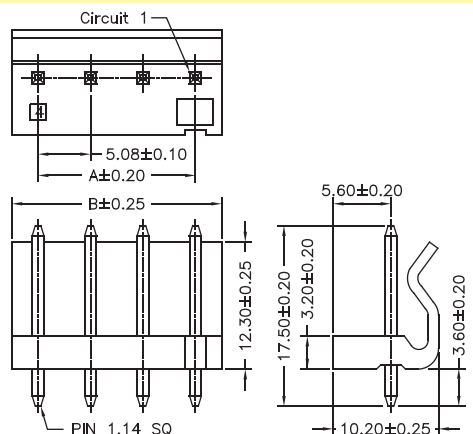
5.08mm Wafer R/A / Straight Type & W/O Ramp R/A / Straight Type

Specifications
 Current Rating: 7A AC,DC
 Voltage Rating: 250V AC,DC
 Temperature Range: -20°C to +85°C
 Contact Resistance: 10mΩ Max
 Insulation Resistance: 1000MΩ Min
 Withstanding Voltage: 1500V AC/minute
 Terminal: Brass / Tin Plated
 Material: Nylon 66,UL94V-2

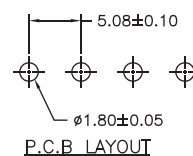
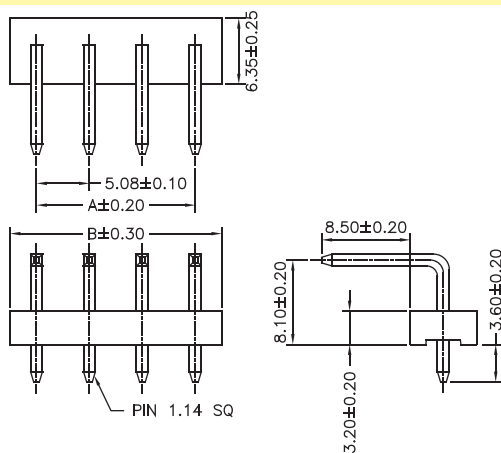
No. of Contacts	Dimensions	
	A	B
2	5.08	10.08
3	10.16	15.16
4	15.24	20.24
5	20.32	25.32
6	25.40	30.40
7	30.48	35.48
8	35.56	40.56
9	40.64	45.64
10	45.72	50.72
11	50.80	55.80
12	55.88	60.88
13	60.96	65.96
14	66.04	71.04
15	71.12	76.12
16	76.20	81.20
17	81.28	86.28
18	86.36	91.36
19	91.44	96.44
20	96.52	101.52



Part No.:5083RA-XXTW-L

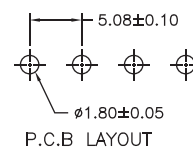
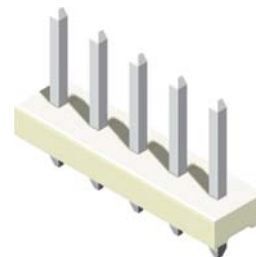
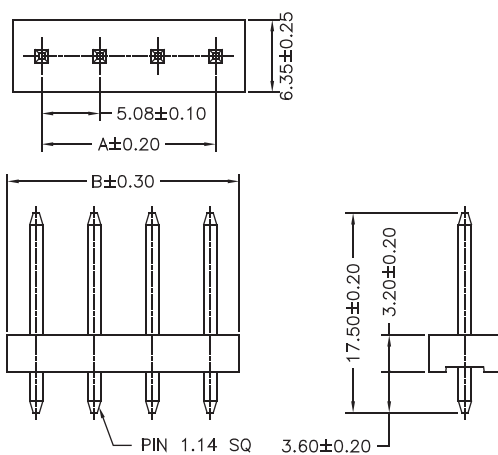


Part No.:5083SA-XXTW-L



Part No.:5083RB-XXTW-L

No. of Contacts	Dimensions	
	A	B
2	5.08	10.16
3	10.16	15.24
4	15.24	20.32
5	20.32	25.40
6	25.40	30.48
7	30.48	35.56
8	35.56	40.64
9	40.64	45.72



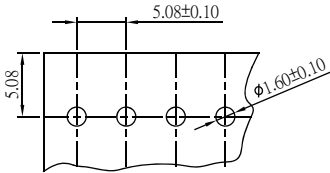
Part No.:5083SB-XXTW-L



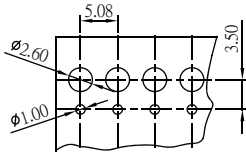
5.08mm Wafer DIP Type

Specifications

Current Rating: 7A AC,DC
 Voltage Rating: 250V AC,DC
 Temperature Range: -40°C to +105°C
 Contact Resistance: 10mΩ Max
 Insulation Resistance: 1000MΩ Min
 Withstanding Voltage: 1500V AC/minute
 Material: Nylon 66,UL94V-2



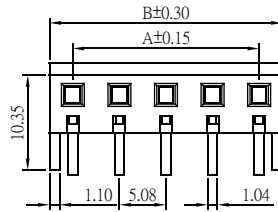
A,C Type



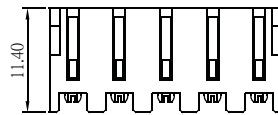
B Type

Recommended PCB Layout
 (PCB TOLERANCE ±0.05)

No. of Contacts	Dimensions	
	A	B
2	5.08	10.16
3	10.16	15.24
4	15.24	20.32
5	20.32	25.40
6	25.40	30.48
7	30.48	35.56
8	35.56	40.64
9	40.64	45.72
10	45.72	50.80
11	50.80	55.88
12	55.88	60.96
13	60.96	66.04
14	66.04	71.12
15	71.12	76.20
16	76.20	81.28
17	81.28	86.36
18	86.36	91.44
19	91.44	96.52
20	96.52	101.60

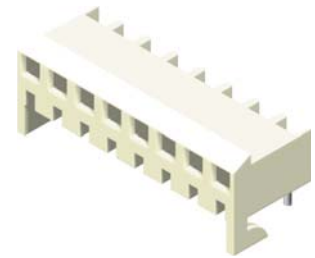


(With Lock)

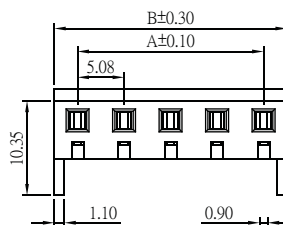


(W/O Lock)

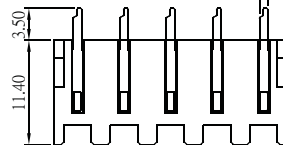
A Type



Part No.:5084A-XX-L



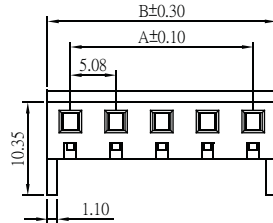
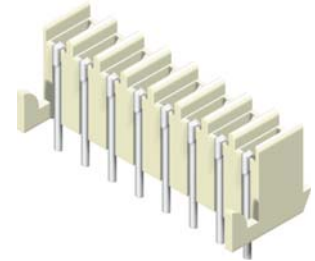
(With Lock)



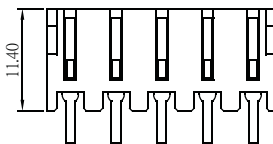
(W/O Lock)

B Type

Part No.:5084B-XX-L



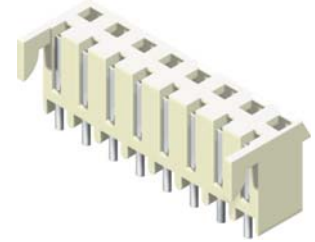
(With Lock)



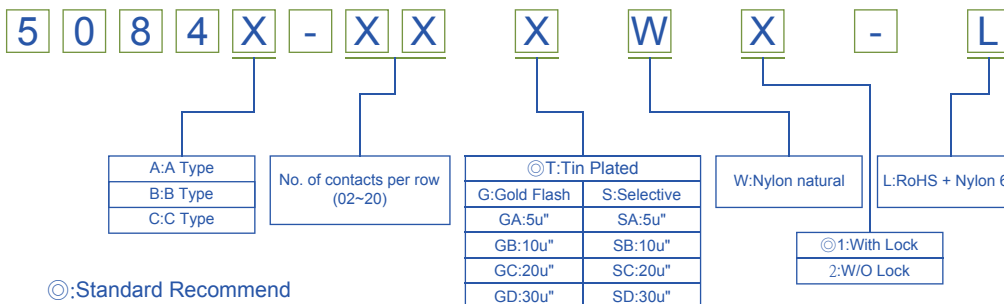
(W/O Lock)

C Type

Part No.:5084C-XX-L



ORDER INFORMATION



Housing Wafer Terminal



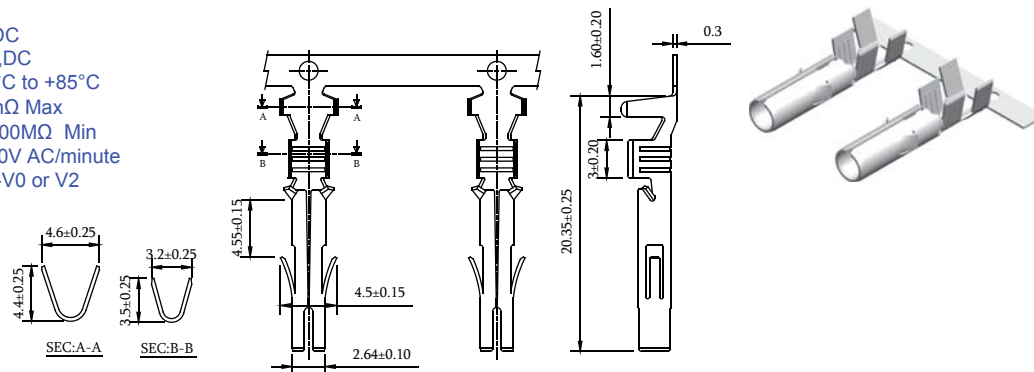
ROHS

CONNECTOR MANUFACTURER

6.35mm Female & Male Terminal / Female & Male Housing

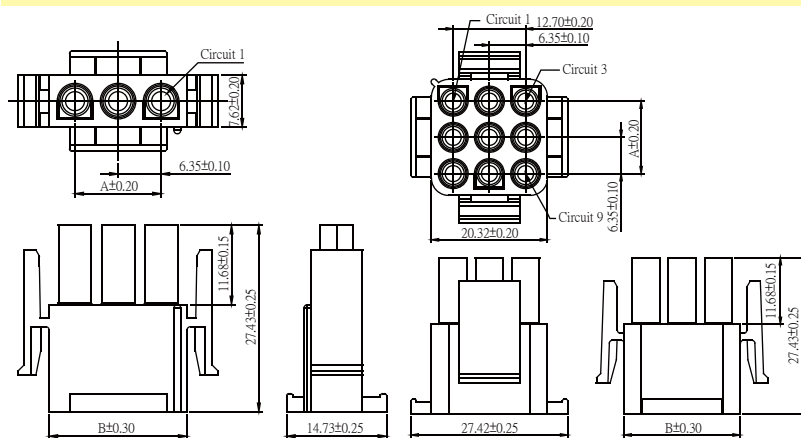
Specifications

Current Rating: 15A AC,DC
 Voltage Rating: 600V AC,DC
 Temperature Range: -25°C to +85°C
 Contact Resistance: 3.5mΩ Max
 Insulation Resistance: 1000MΩ Min
 Withstanding Voltage: 500V AC/minute
 Material: Nylon 66, UL94-V0 or V2



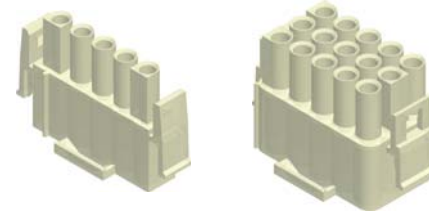
Wire Range	Insulation O.D.	Material	Finish
#14-#20	3.30mm(Max)	Brass	Tin Plated

Part No.:6350-FT-L



6350H-M1XXW-L

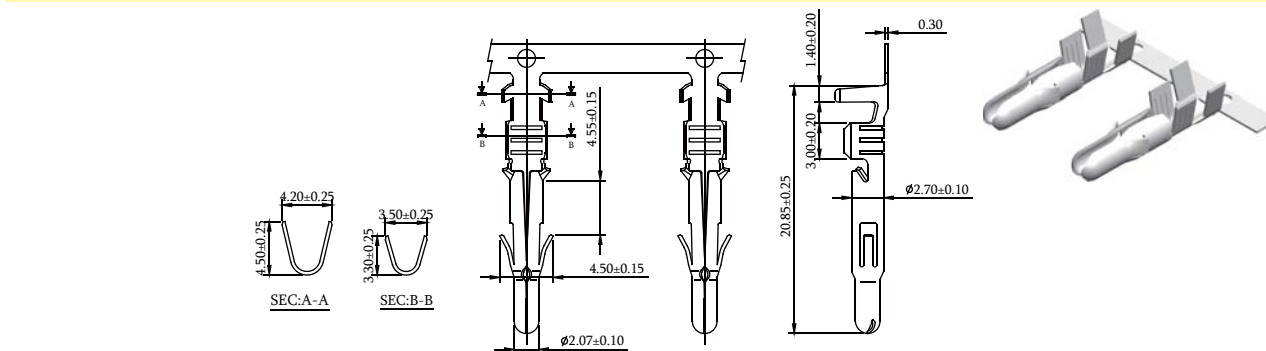
6350H-M3XXW-L



Part No.	Dimensions	
	A	B
6350H-M102W-L	6.35	13.97
6350H-M103W-L	12.70	20.32
6350H-M104W-L	19.05	26.67
6350H-M105W-L	25.40	33.02
6350H-M106W-L	31.75	39.37
6350H-M108W-L	44.45	52.07

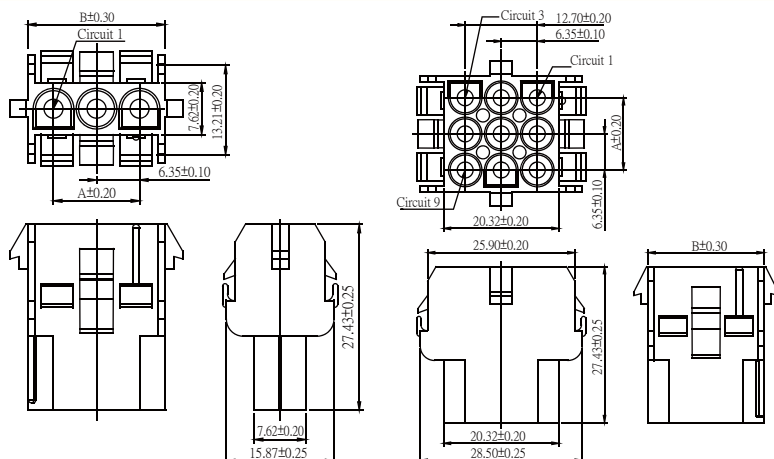
Part No.	Dimensions	
	A	B
6350H-M302W-L	6.35	13.97
6350H-M303W-L	12.70	20.32
6350H-M304W-L	19.05	26.67
6350H-M305W-L	25.40	33.02

Part No.:6350H-MXXXW-L



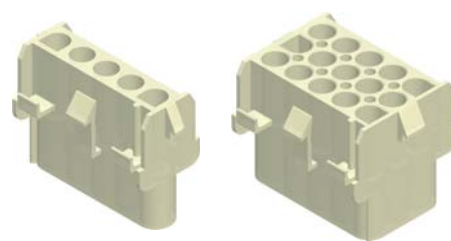
Wire Range	Insulation O.D.	Material	Finish
#14-#20	3.30mm(Max)	Brass	Tin Plated

Part No.:6350-MT-L



6350H-F1XXW-L

6350H-F3XXW-L



Part No.	Dimensions	
	A	B
6350H-F102W-L	6.35	13.97
6350H-F103W-L	12.70	20.32
6350H-F104W-L	19.05	26.67
6350H-F105W-L	25.40	33.02
6350H-F106W-L	31.75	39.37
6350H-F108W-L	44.45	52.07

Part No.	Dimensions	
	A	B
6350H-F302W-L	6.35	14.05
6350H-F303W-L	12.70	20.40
6350H-F304W-L	19.05	26.75
6350H-F305W-L	25.40	33.10

Part No.:6350H-FXXXW-L

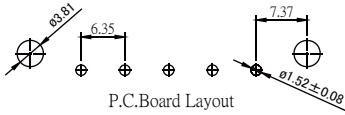
CONNECTORS MANUFACTURER



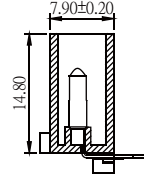
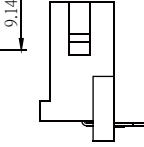
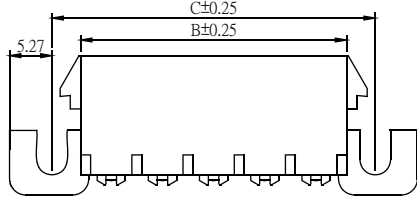
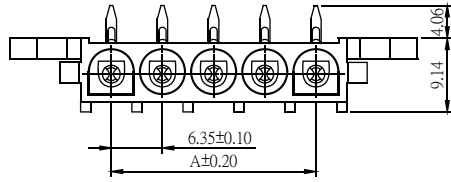
6.35mm Wafer Right Angle / Straight

Specifications

Current Rating: 15A AC,DC
 Voltage Rating: 600V AC,DC
 Temperature Range: -25°C to +85°C
 Contact Resistance: 3.5mΩ Max
 Insulation Resistance: 1000MΩ Min
 Withstanding Voltage: 5000V AC/minute
 Terminal: Brass / Tin Plated
 Material: Nylon 66, UL94-V0 or V2



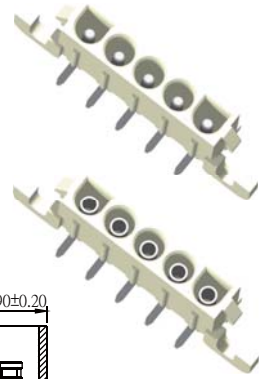
No. of Contacts	Dimensions		
	A	B	C
2	6.35	13.97	21.08
4	19.05	26.67	33.78
6	31.75	39.37	46.48
8	44.45	52.07	59.18
10	57.15	64.77	71.88



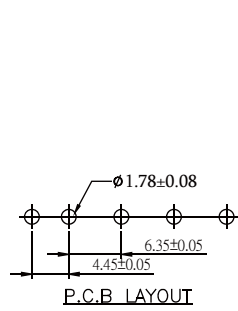
Male Female

Part No.: 6350R-□ 1XXTW-L

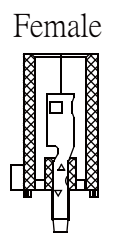
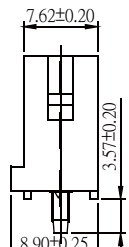
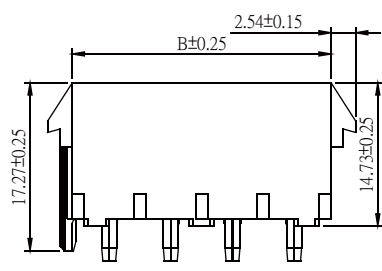
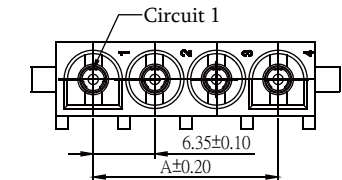
M: Male
F: Female



Housing Wafer Terminal



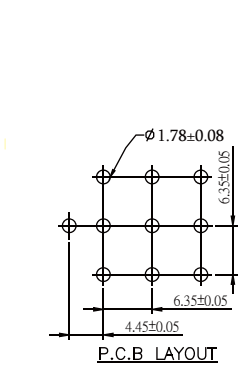
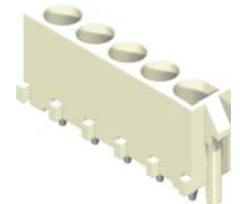
No. of Contacts	Dimensions	
	A	B
2	6.35	13.97
3	12.70	20.32
4	19.05	26.67
5	25.40	33.02
6	31.75	39.37
8	44.45	52.07



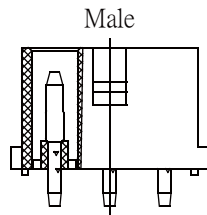
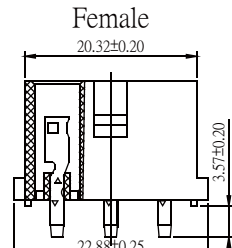
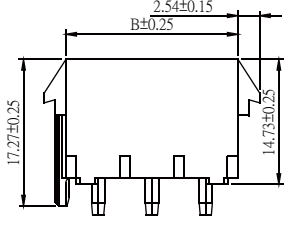
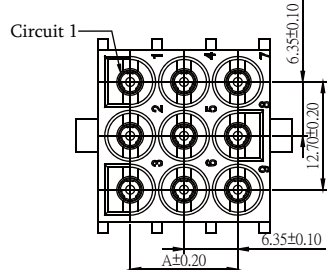
Female Male

Part No.: 6350S-□ 1XXTW□-L

M: Male
F: Female
1: With Peg
2: W/O Peg



No. of Contacts	Dimensions	
	A	B
3x2	6.35	13.97
3x3	12.70	20.32
3x4	19.05	26.67
3x5	25.40	33.02

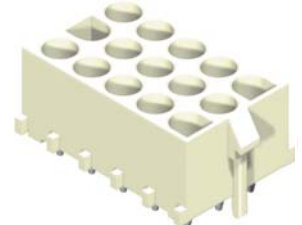


Female

Male

Part No.: 6350S-□ 3XXTW□-L

M: Male
F: Female
1: With Peg
2: W/O Peg



AMTEK CONNECTOR MANUFACTURER

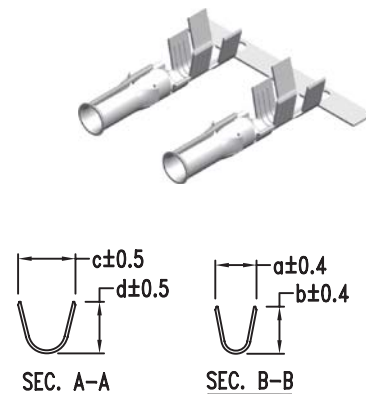
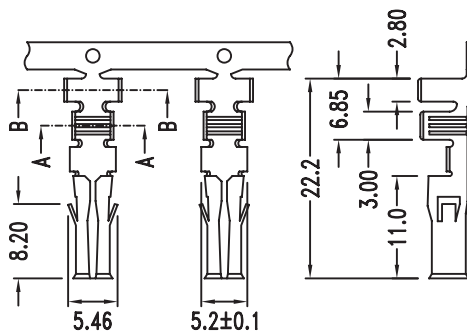


ROHS

8.38mm Female & Male Terminal / Female & Male Housing

Specifications

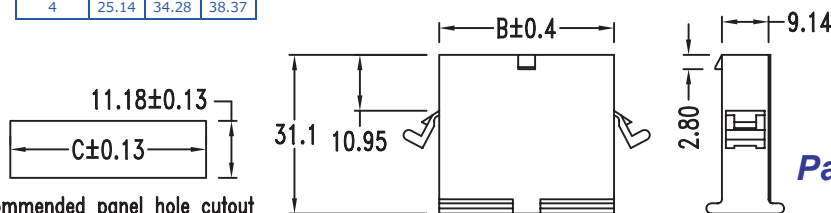
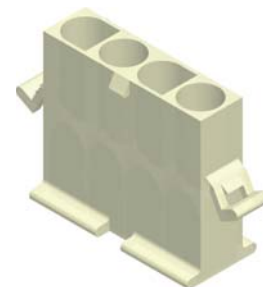
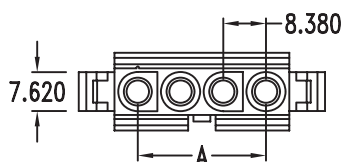
Current Rating: 20A AC,DC
 Voltage Rating: 600V AC,DC
 Temperature Range: -40°C to +105°C
 Contact Resistance: 10mΩ Max
 Withstanding Voltage: 1500V AC/minute
 Material: Nylon 66, UL94V-2



Part No.	Wire Range	Insulation O.D.	Material	Finish	Dim. A	Dim. B	Dim. C	Dim. D
8380-FT-A-L	#16-#18	3.05mm	Brass	Tin Plated	2.80	3.30	4.90	5.00
8380-FT-B-L	#16-#18	4.57mm			2.80	3.30	6.50	5.70
8380-FT-C-L	#10-#14	4.57mm			5.40	5.20	6.50	5.70

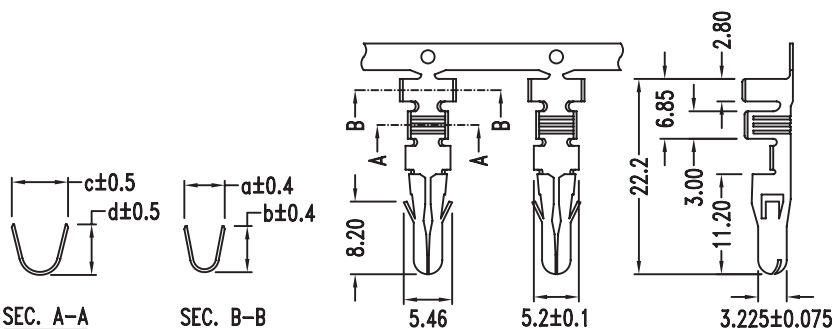
Part No.:8380-FT-L

No. of Contacts	Dimensions		
	A	B	C
1	- - -	9.14	13.23
2	8.38	17.52	21.61
3	16.76	25.90	29.99
4	25.14	34.28	38.37



Recommended panel hole cutout

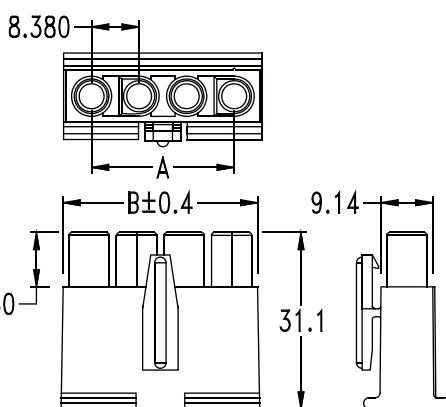
Part No.:8380H-F1XXW-L
 1:With Ear
 2:W/O Ear



Part No.	Wire Range	Insulation O.D.	Material	Finish	Dim. A	Dim. B	Dim. C	Dim. D
8380-MT-A-L	#16-#18	3.05mm	Brass	Tin Plated	2.80	3.30	4.90	5.00
8380-MT-B-L	#16-#18	4.57mm			2.80	3.30	6.50	5.70
8380-MT-C-L	#10-#14	4.57mm			5.40	5.20	6.50	5.70

Part No.:8380-MT-L

No. of Contacts	Dimensions		
	A	B	C
1	- - -	9.14	13.23
2	8.38	17.52	21.61
3	16.76	25.90	29.99
4	25.14	34.28	38.37



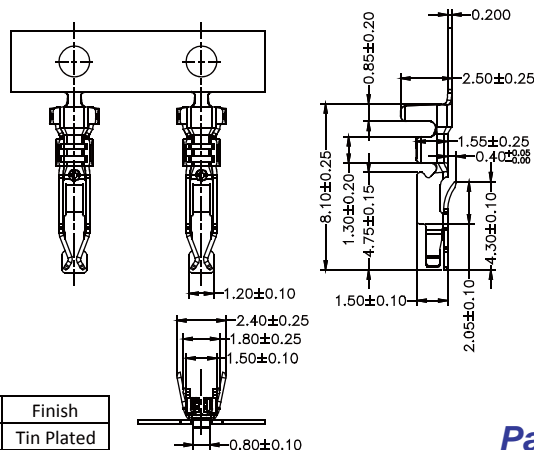
Recommended panel hole cutout

Part No.:8380H-M1XXW-L



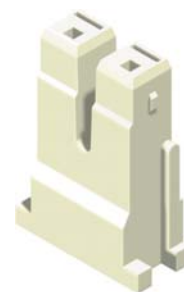
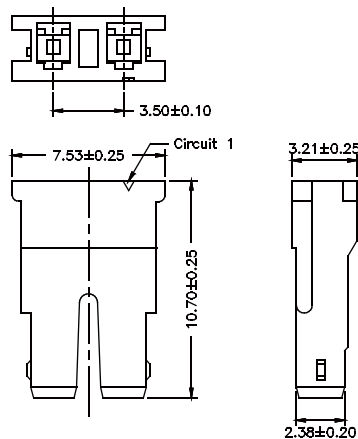
3.5mm LCD Terminal / Housing

Specifications
 Current Rating: 1A AC,DC
 Voltage Rating: 1400V AC,DC
 Temperature Range: -25°C to +85°C
 Contact Resistance: 10mΩ Max
 Insulation Resistance: 1000MΩ Min
 Withstanding Voltage: 3800V AC/minute
 Material:Nylon 66,UL94V-0

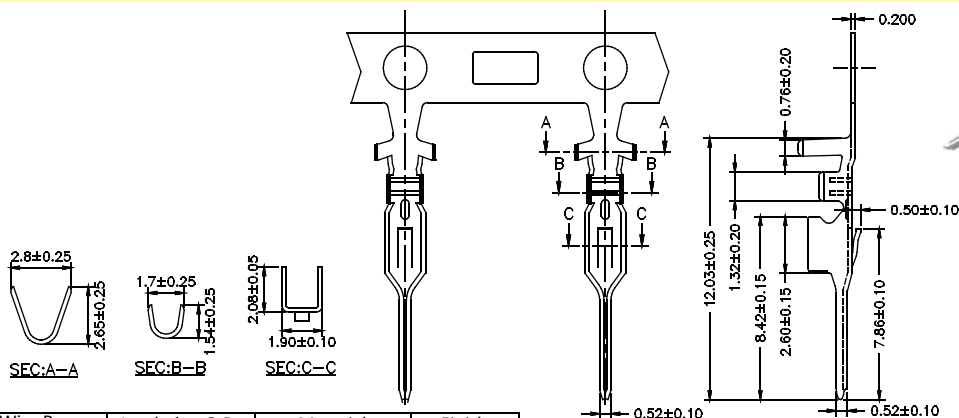


Wire Range	Insulation O.D.	Material	Finish
#24-#28	1.60mm(Max)	Phosphor Bronze	Tin Plated

Part No.:LCD-2PFT-L

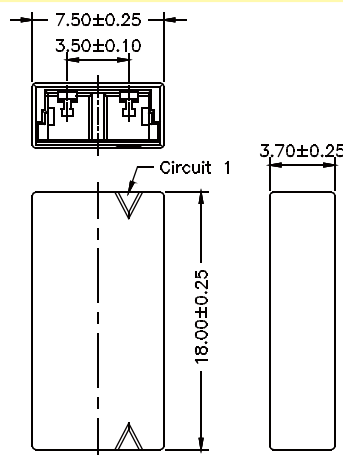


Part No.:LCDH-M2PW-L



Wire Range	Insulation O.D.	Material	Finish
#24-#28	1.80mm(Max)	Phosphor Bronze	Tin Plated

Part No.:LCD-2PMT-L



Part No.:LCDH-F2PW-L

Housing Wafer Terminal

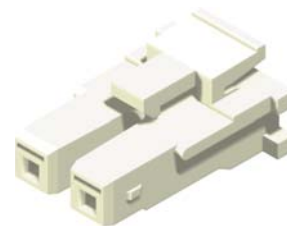
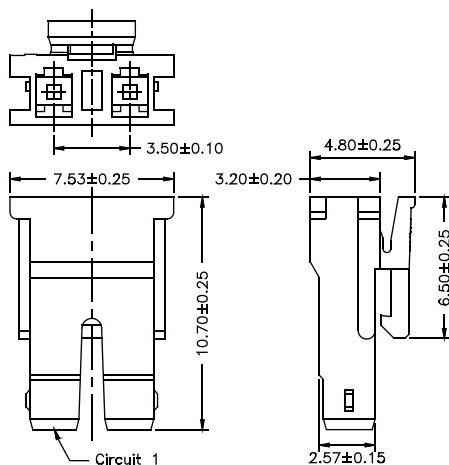


ROHS

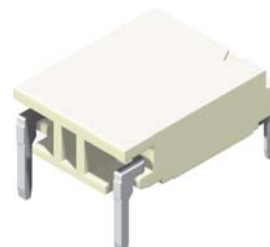
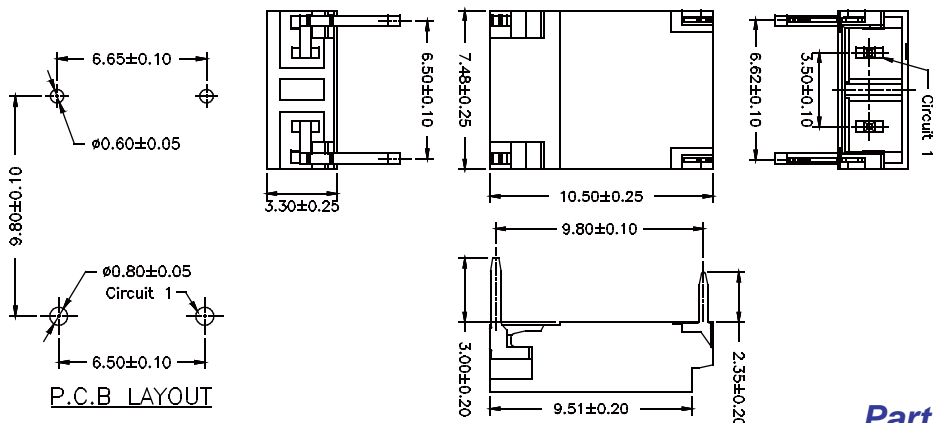
3.5mm LCD Housing / Wafer SMT R/A & DIP Type

Specifications

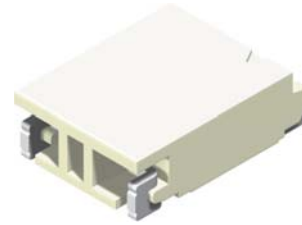
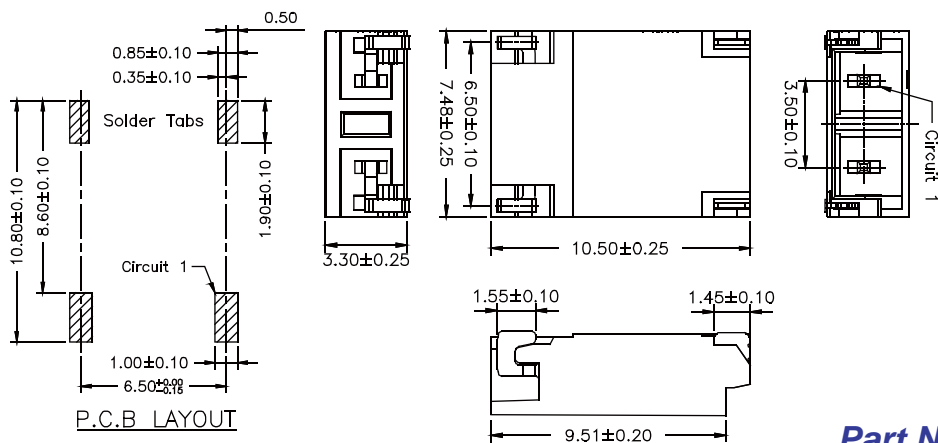
Current Rating: 1A AC,DC
 Voltage Rating: 1400V AC,DC
 Temperature Range: -20°C to +85°C
 Contact Resistance: 10mΩ Max
 Insulation Resistance: 1000MΩ Min
 Withstanding Voltage: 3800V AC/minute
 Terminal: Brass / Tin Plated
 Solder Tabs: Brass / Tin Plated
 Material: Housing:Nylon 66, UL94V-0
 Wafer:Nylon 6T, UL94V-0



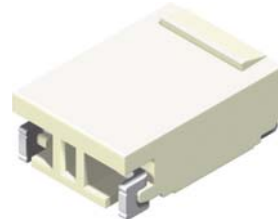
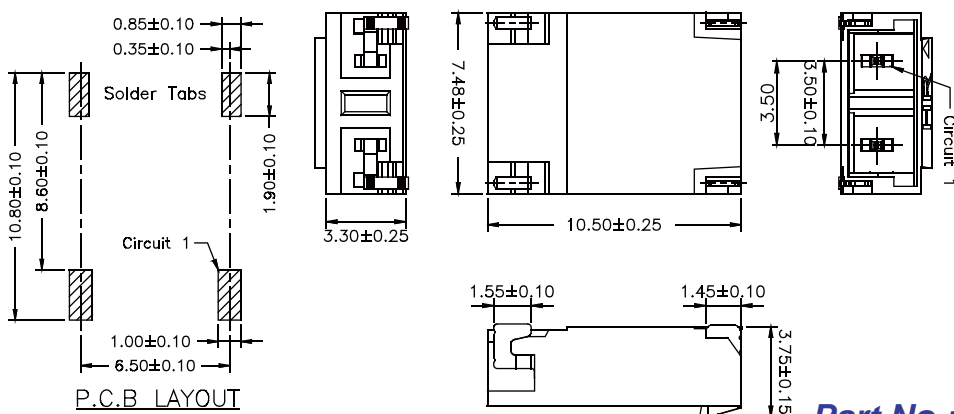
Part No.:LCDHA-2PW-L



Part No.:LCDR-2P2TW-U



Part No.:LCDMR-2P2TW-U



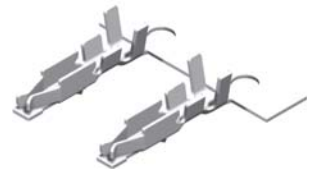
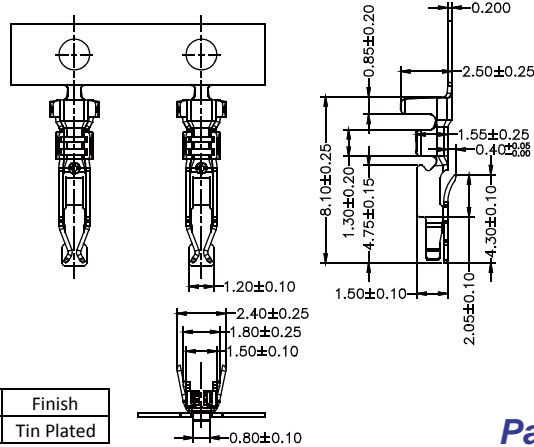
Part No.:LCDMRA-2P2TW-U



3.5mm LCD Terminal / Housing

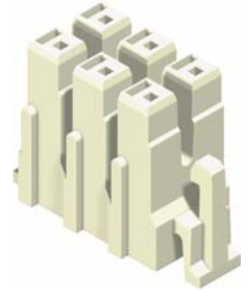
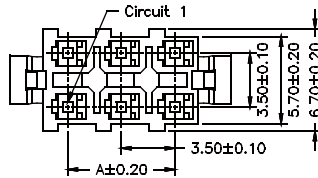
Specifications

Current Rating: 1A AC,DC
 Voltage Rating: 1400V AC,DC
 Temperature Range: -25°C to +85°C
 Contact Resistance: 10mΩ Max
 Insulation Resistance: 1000MΩ Min
 Withstanding Voltage: 3800V AC/minute
 Material:Nylon 66,UL94V-0

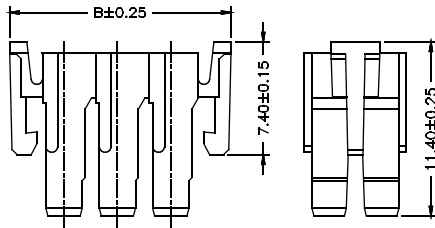


Wire Range	Insulation O.D.	Material	Finish
#24-#28	1.60mm(Max)	Phosphor Bronze	Tin Plated

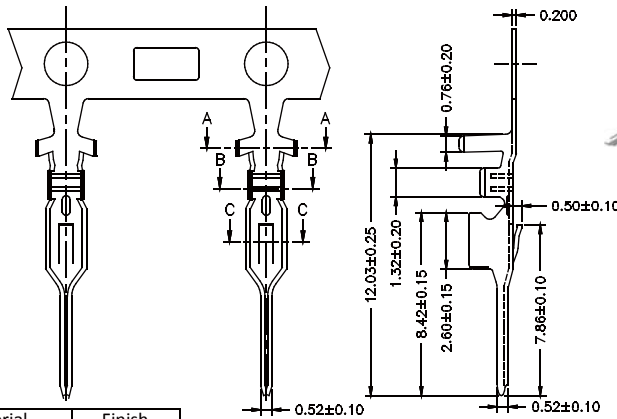
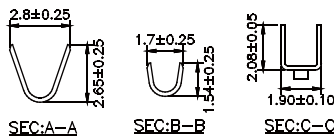
Part No.:LCD-2PFT-L



No. of Contacts	Dimensions	
	A	B
3	7.00	14.00
6	17.50	24.50

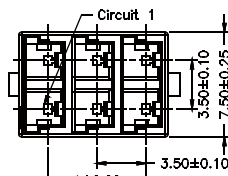


Part No.:LCDH-F2PXXW-L

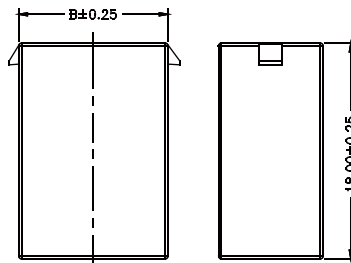


Wire Range	Insulation O.D.	Material	Finish
#24-#28	1.80mm(Max)	Phosphor Bronze	Tin Plated

Part No.:LCD-2PMT-L



No. of Contacts	Dimensions	
	A	B
3	7.00	10.70
6	17.50	21.20



Part No.:LCDH-M2PXXW-L

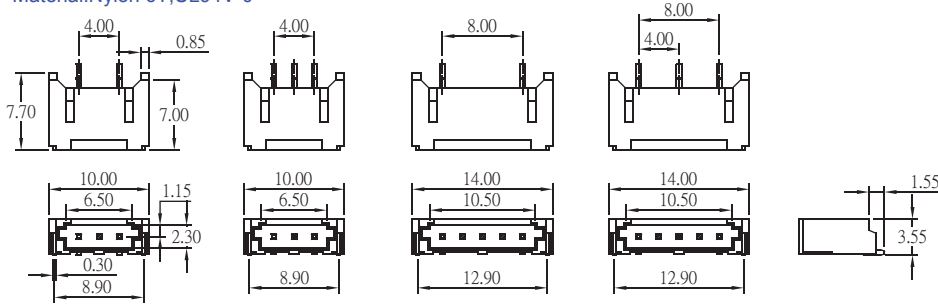
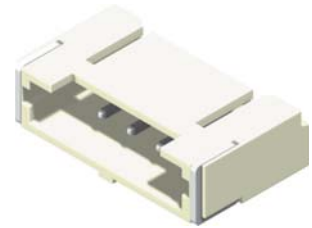
Housing Wafer Terminal



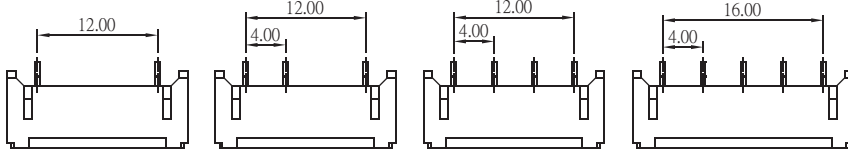
ROHS

LCD Wafer SMT Right Angle / DIP Type

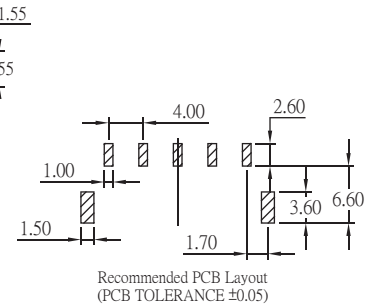
Specifications
 Current Rating: 1A AC,DC
 Voltage Rating: 600V AC,DC
 Temperature Range: -25°C to +85°C
 Contact Resistance: 10mΩ Max
 Insulation Resistance: 1000MΩ Min
 Withstanding Voltage: 1800V AC/minute
 Terminal: Brass / Tin Plated
 Solder Tabs: Brass / Tin Plated
 Material:Nylon 6T,UL94V-0



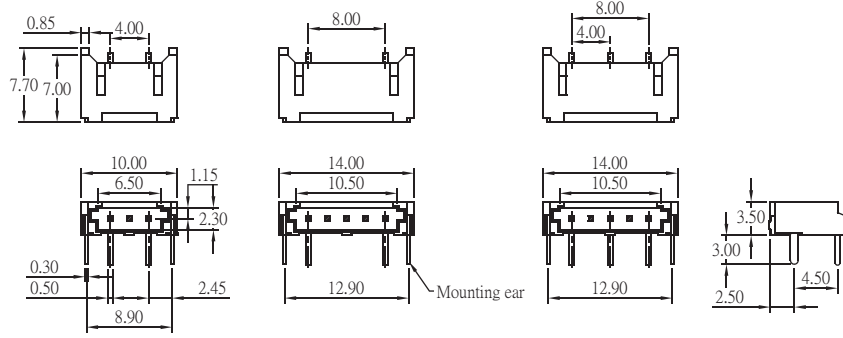
LCDMR-3P2TW-U LCDMR-3P3TW-U LCDMR-5P2TW-U LCDMR-5P3TW-U



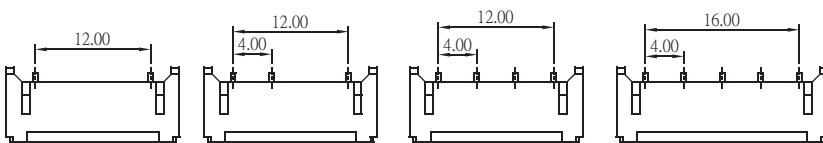
LCDMR-7P2TW-U LCDMR-7P3TW-U LCDMR-7P4TW-U LCDMR-9P5TW-U



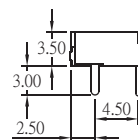
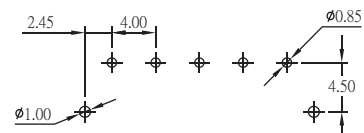
Part No. LCDMR-XPXTW-U



LCDR-3P2TW-U LCDR-5P2TW-U LCDR-5P3TW-U



LCDR-7P2TW-U LCDR-7P3TW-U LCDR-7P4TW-U LCDR-9P5TW-U



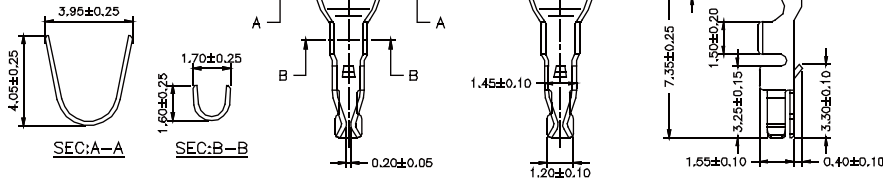
Part No. LCDR-XPXTW-U



4.0mm LCD Terminal / Housing

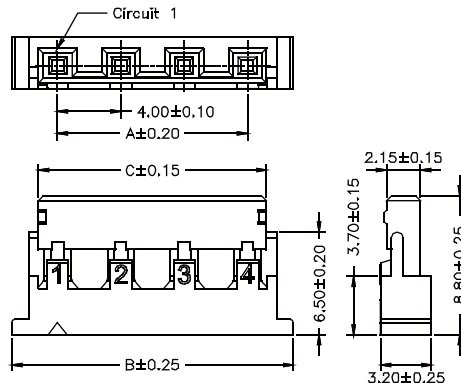
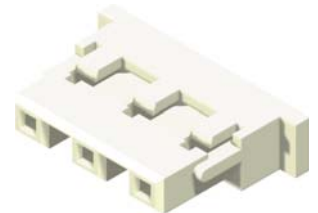
Specifications

Current Rating: 1A AC,DC
 Voltage Rating: 600V AC,DC
 Temperature Range: -25°C to +85°C
 Contact Resistance: 10mΩ Max
 Insulation Resistance: 1000MΩ Min
 Withstanding Voltage: 1800V AC/minute
 Material: Nylon 66,UL94V-0



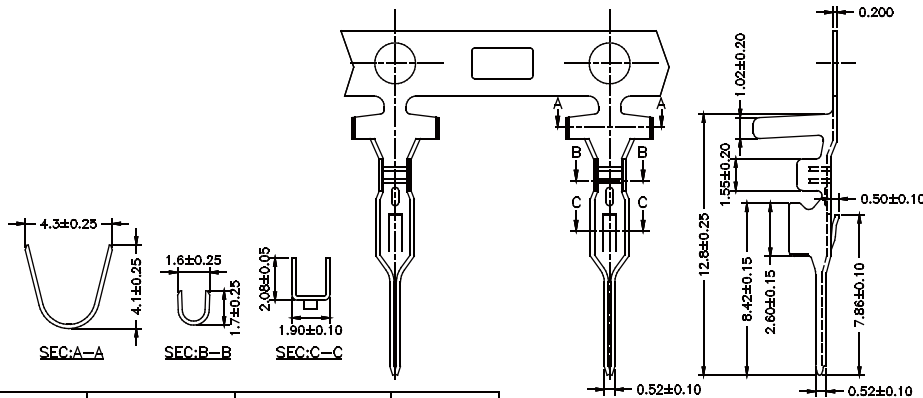
Wire Range	Insulation O.D.	Material	Finish
#22-#28	2.40mm(Max)	Phosphor Bronze	Tin Plated

Part No.:LCD-T-L



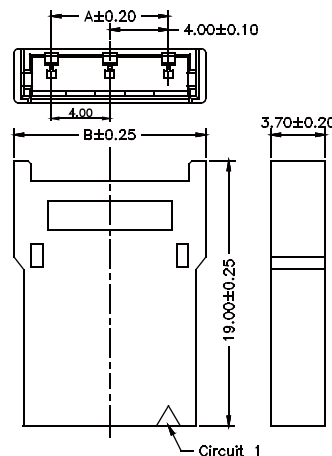
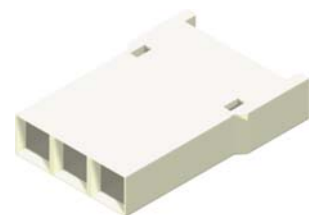
No. of Contacts	Dimensions	
	A	B
2	4.00	9.10
3	8.00	13.10
4	12.00	17.10
5	16.00	21.10

Part No.:LCDH-XXW-L



Wire Range	Insulation O.D.	Material	Finish
#22-#28	2.40mm(Max)	Phosphor Bronze	Tin Plated

Part No.:LCD-MT-L



No. of Contacts	Dimensions		
	A	B	C
2	4.00	9.80	17.80
3	8.00	13.80	33.80
4	12.00	17.80	49.80
5	16.00	21.80	65.80

Part No.:LCDH-MXXW-L

Housing Wafer Terminal



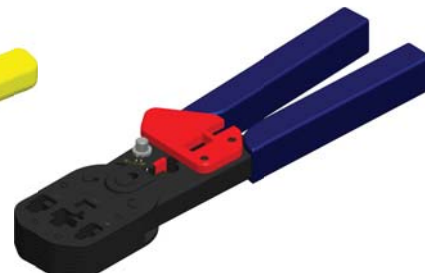
ROHS



Tool-2026-8(11011)



Tool-2093



Tool-2076B

Amtek Terminal P/N:	Crimp Tool P/N:
2500-T	Tool-2026-8(11011)
2501-T	Tool-2026-8(11011)
2502-T	Tool-2093
2503-T	Tool-2093
2504-T	Tool-2026-8(11011)
2505-T	Tool-2093
2506-T	Tool-2093
2509-MT/FT	Tool-2026-8(11011)
2541-T	Tool-2026-8
2542-T	Tool-2026-8(11011)
2545-T	Tool-2026-8
3000-MT/FT	Tool-2093
3961-T	Tool-2093
3962-T	Tool-2026-8(11011)
3966-T	Tool-2026-8(11011)
4200-MT	Tool-2026-8(11011)
5082-FT	Tool-2093

Amtek Modular Plug P/N:	Crimp Tool P/N:
100F/R-4P	Tool-2076B
100F/R-6P	Tool-2076B
100F/R-8P	Tool-2076B
108F/R-6P	Tool-2076B
100A	Tool-2076B
S100-850-F-8P	Tool-2076B
S100F/R-8P	Tool-2076B
S108F/R-6P	Tool-2076B