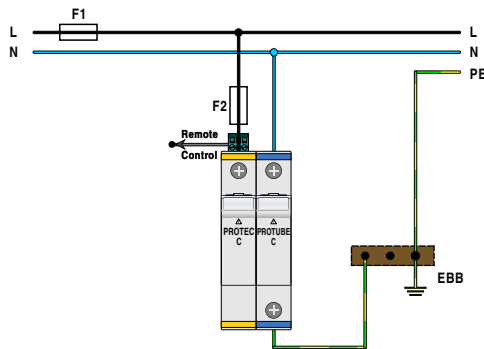


# PROTEC C(R) 80/385 (1+1)

Multi-pole  
Surge Arrester  
 $I_{max} = 40kA$  per pole (8/20)

## TT Network (Single-phase)

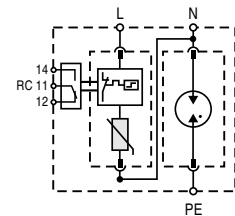


## Technical data

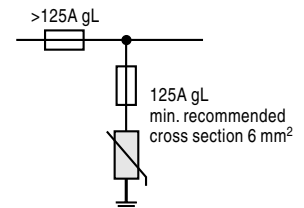
Type	PROTEC C(R) 80/385 (1+1)	
In accordance with	IEC-61643-1	
Category IEC / VDE	II / C	
Max. continuous operating voltage (AC)	$U_C$	385V (L-N) / 255V (N-PE)
Nominal discharge current (8/20)	$I_n$	20kA
Max. discharge current (8/20)	$I_{max}$	40kA
Protection level	$U_p$	1.65kV (L-N) / 1.2kV (N-PE)
Follow current	$I_f$	> 100A <sub>RMS</sub> (N-PE)
Response time	$t_A$	< 25ns (L-N) / 100ns (N-PE)
Residual current at $U_C$	$I_{PE}$	< 1.5mA (L-N)
Thermal protection	YES	
Terminal screw torque	max 4.5Nm	
Back-up fuse (if mains > 125 A)	125A gL	
Short-circuit withstand current	25kA/50Hz	
Temperature range	- 40°C ....+80°C	
Terminal cross section	35mm <sup>2</sup> (solid) / 25mm <sup>2</sup> (stranded)	
Mounting EN 60715	35mm top-hat rail	
Degree of protection	IP 20	
Housing material	thermoplastic; extinguishing degree UL 94 V-0	
Dimensions DIN 43880	2TE	
Remote contacts	YES	
Contact ratings	AC: 250V/0.5A; 125V/3A	
Terminal cross section	max. 1.5mm <sup>2</sup>	
Remote terminal torque	0.25Nm	
Weight per unit	231g	
Ordering code	500 309	
Packaging dimensions (single unit)	109 x 76.5 x 41.5mm	

## Connection diagram

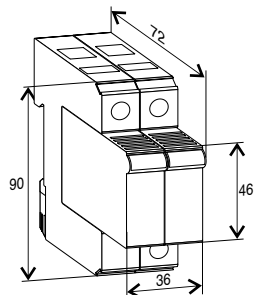
### PROTEC CR 80/385 (1+1)



## Selection of back-up fuse



## Dimensions



## Accessory part for PROTEC C(R) 80/385 (1+1)

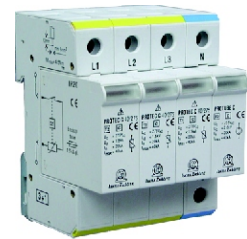
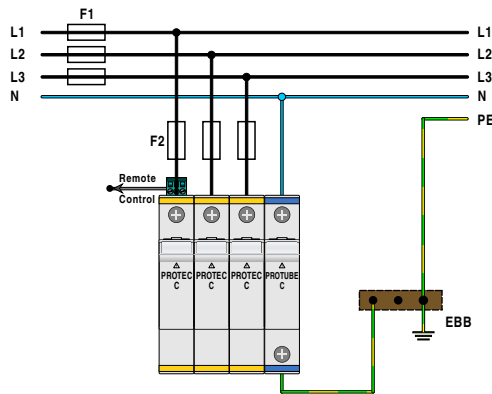
Type	Module PROTEC C(R) 40/385
Ordering code	500 338
Type	Module PROTUBE C 40/255
Ordering code	500 339
Packaging dimensions (12 pcs.)	219 x 62 x 47mm



# PROTEC C(R) 160/385 (3+1)

Multi-pole  
Surge Arrester  
 $I_{max} = 40kA$  per pole (8/20)

## TT Network (Three-phase)

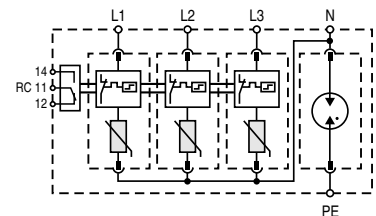


## Technical data

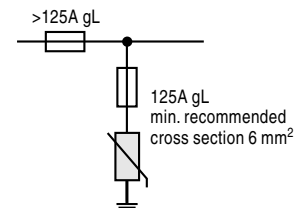
Type	PROTEC C(R) 160/385 (3+1)	
In accordance with	IEC-61643-1	
Category IEC / VDE	II / C	
Max. continuous operating voltage (AC)	$U_C$	385V (L-N) / 255V (N-PE)
Nominal discharge current (8/20)	$I_n$	20kA
Max. discharge current (8/20)	$I_{max}$	40kA
Protection level	$U_p$	1.65kV (L-N) / 1.2kV (N-PE)
Follow current	$I_f$	> 100A <sub>RMS</sub> (N-PE)
Response time	$t_A$	< 25ns (L-N) / 100ns (N-PE)
Residual current at $U_C$	$I_{PE}$	< 1.5mA (L-N)
Thermal protection	YES	
Terminal screw torque	max 4.5Nm	
Back-up fuse (if mains > 125 A)	125A gL	
Short-circuit withstand current	25kA/50Hz	
Temperature range	- 40°C ....+80°C	
Terminal cross section	35mm <sup>2</sup> (solid) / 25mm <sup>2</sup> (stranded)	
Mounting EN 60715	35mm top-hat rail	
Degree of protection	IP 20	
Housing material	thermoplastic; extinguishing degree UL 94 V-0	
Dimensions DIN 43880	4TE	
Remote contacts	YES	
Contact ratings	AC: 250V/0.5A; 125V/3A	
Terminal cross section	max. 1.5mm <sup>2</sup>	
Remote terminal torque	0.25Nm	
Weight per unit	450g	
Ordering code	500 301	
Packaging dimensions (single unit)	109 x 76.5 x 78mm	

## Connection diagram

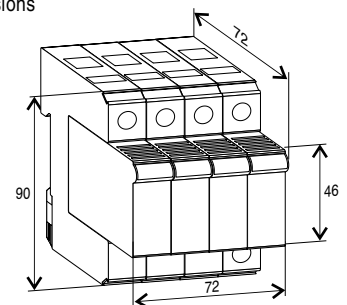
### PROTEC CR 160/xxx (3+1)



## Selection of back-up fuse



## Dimensions



## Accessory part for PROTEC C(R) 160/385 (3+1)

Type	Module PROTEC C(R) 40/385
Ordering code	500 338
Type	Module PROTUBE C 40/255
Ordering code	500 339
Packaging dimensions (12 pcs.)	219 x 62 x 47mm

