

Mini USB/Micro USB/ USB/IEEE/Mini DIN

Connectors

6-1 ~6-9 · Mini USB & Micro USB

6-10 ~6-24 · USB

6-25~6-27 · IEEE 1394

6-28~6-35 · MDJ

6-36~6-39 · DIN JACK & DIN PLUG







M

ini USB/USB/IEEE/Mini DIN Connectors



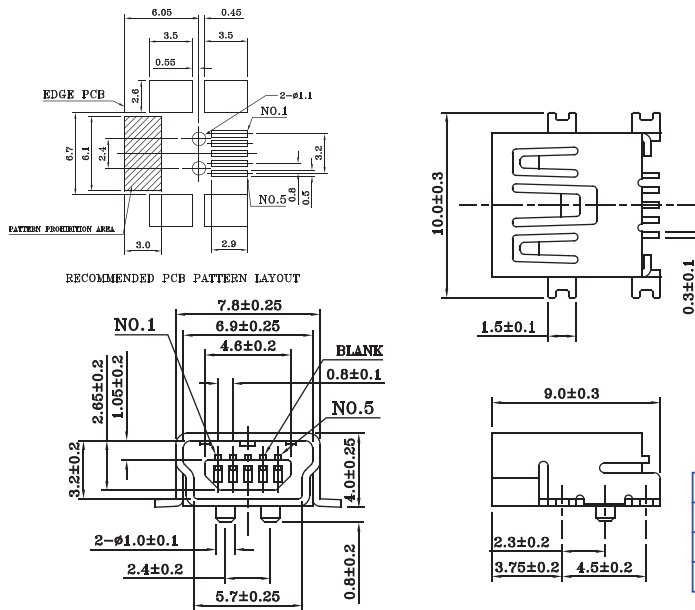
CONNECTORS MANUFACTURER

Mini USB & Micro USB

- 6-1 ▶ Mini USB Female SMT 5P B Type
- 6-1 ▶ Mini USB Female SMT 5P B Type
- 6-1 ▶ Mini USB Female SMT 5P Sink B Type
- 6-2 ▶ Mini USB Female SMT 5P AB Type
- 6-2 ▶ Mini USB Female Dip 90° 5P B Type
- 6-2 ▶ Mini USB Male Solder 5P B Type
- 6-3 ▶ Mini USB Male Solder 5P to 5P B Type
- 6-3 ▶ Mini USB Female SMT Type 8P
- 6-3 ▶ Mini USB Male Solder Type 8P
- 6-4 ▶ Mini USB Female SMT Type 10P
- 6-4 ▶ Mini USB Male Solder Type 10P
- 6-4 ▶ Mini USB Female SMT Type 12P
- 6-5 ▶ Mini USB Male Solder Type 12P
- 6-5 ▶ Mini USB Female SMT Type 14P
- 6-5 ▶ Mini USB Male Solder Type 14P
- 6-6 ▶ Micro USB Male Solder 5P B Type
- 6-6 ▶ Micro USB Male Solder 5P B Type
- 6-6 ▶ Micro USB Male Solder 5P B Type
- 6-7 ▶ Micro USB Female AB Type SMT 5P
- 6-7 ▶ Micro USB Female B Type SMT 5P
-  6-8 ▶ Micro USB 3.0 Female AB Type SMT 10P
-  6-8 ▶ Micro USB 3.0 Female AB Type SMT 10P
-  6-9 ▶ Micro USB 3.0 Female B Type SMT 10P
-  6-9 ▶ Micro USB 3.0 Female B Type SMT 10P



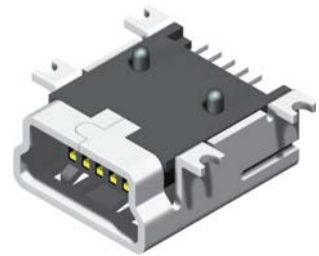
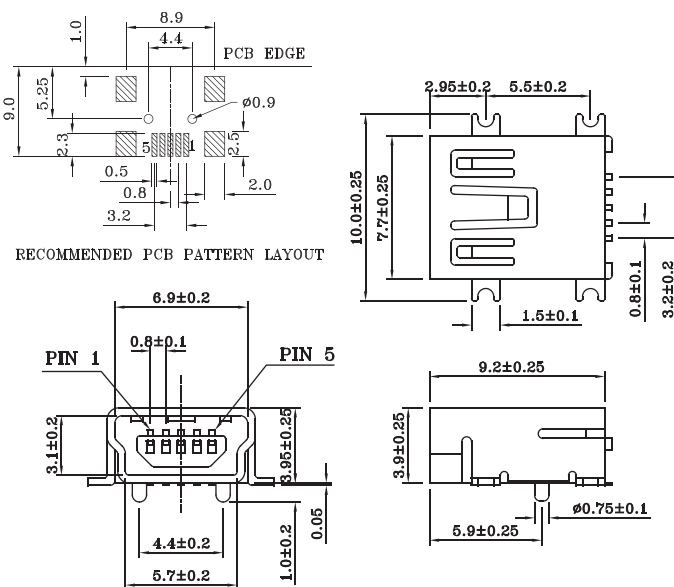
Mini USB Female SMT 5P B Type



Part No.:MUSB-BS-5-U

No.	Name	Qty	Material	Remarks & Thickness	Finish
1	Housing	1	Nylon 9T G.F		Black
2	Pin Term.	5	Phos. Bronze t:0.25mm	Nt:1-1.5u;Tin:3u. Gold:30u	Gold/Tin Plated
3	Shell	1	Brass t:0.4	Ni:2-3u	Nickel Plated

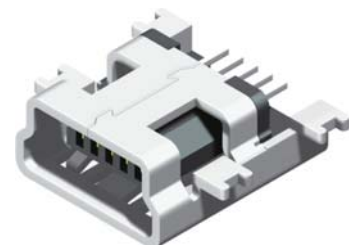
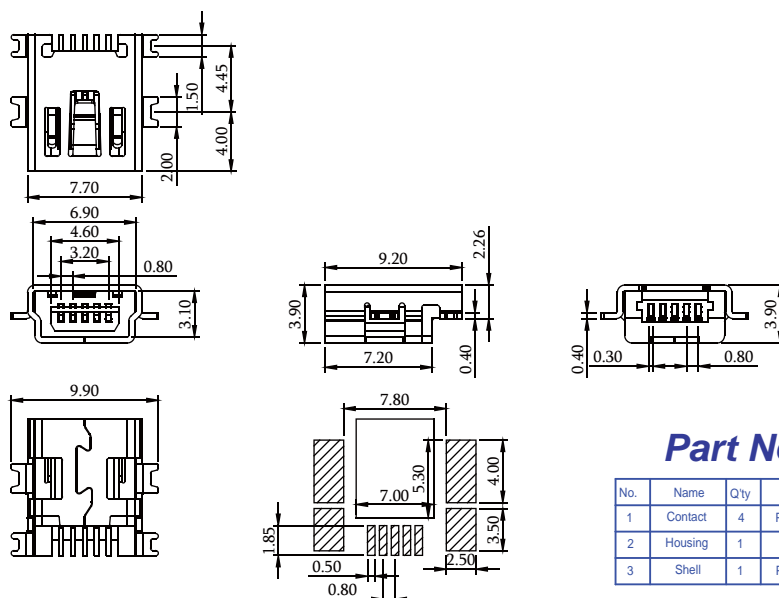
Mini USB Female SMT 5P B Type



Part No.:MUSB-BS-5B-U

No.	Name	Qty	Material	Remarks & Thickness	Finish
1	Housing	1	LCP		Black
2	Pin Term.	5	Phos. Bronze t:0.25mm	Nt:1-1.5u;Tin:3u. Gold:30u	Gold/Tin Plated
3	Shell	1	Brass t:0.4	Ni:2-3u	Nickel Plated

Mini USB Female SMT 5P Sink B Type



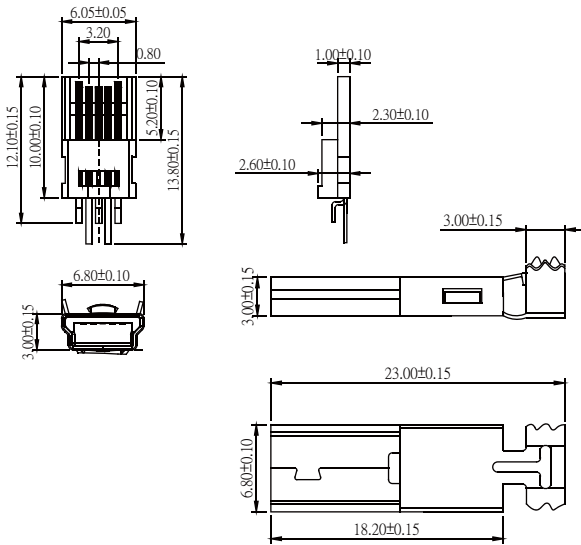
Part No.:MUSB-BS-5C1-U

No.	Name	Qty	Material	Remarks & Thickness	Finish
1	Contact	4	Phosphor Bronze	T=0.25mm	Gold / Tin Plated
2	Housing	1	Hi-Temp.	UL 94-VO	Gray
3	Shell	1	Phosphor Bronze	T=0.40mm	Nickel Plated

Mini USB

ROHS

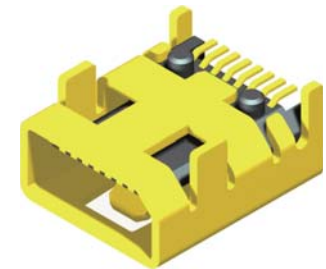
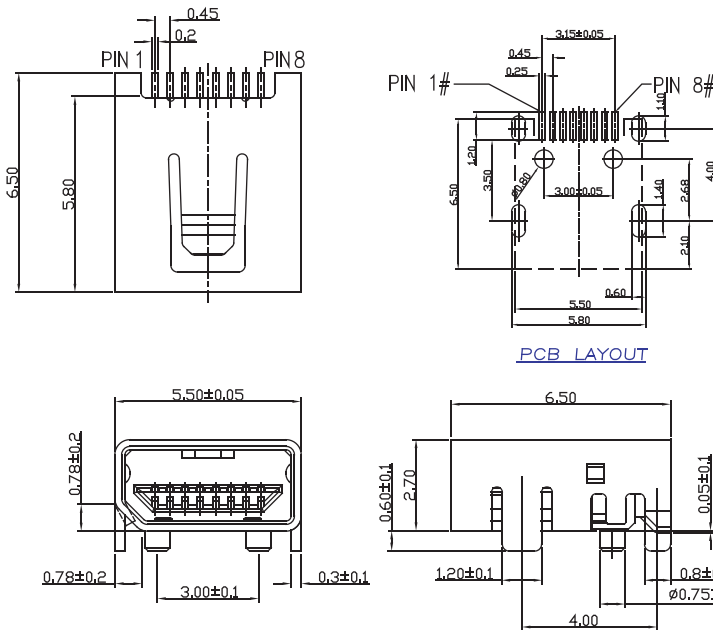
Mini USB Male Solder 5P to 5P B Type



No.	Name	Q'ty	Material	Remarks & Thickness	Finish
2	Contact	4	Brass	T=0.25mm	Gold Flash
1	Housing	1	P.B.T	UL 94-V0	Black

Part No.:MUSB-M5S5-BB-L

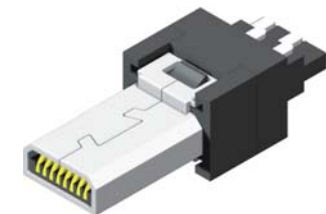
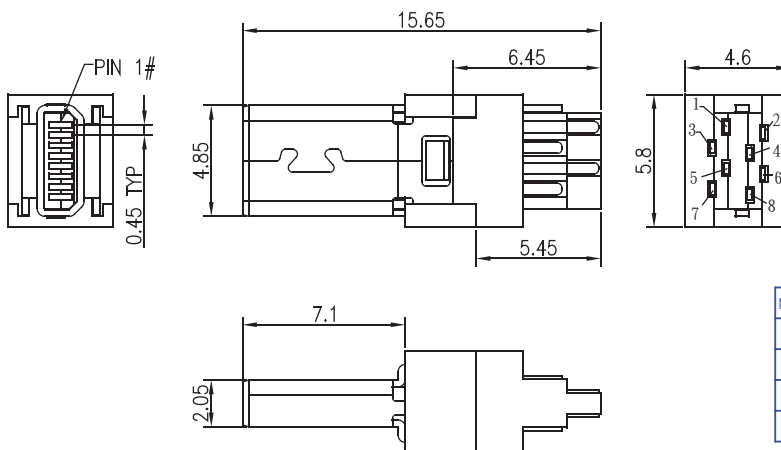
Mini USB Female SMT Type 8P



No.	Description	Q'ty	Material	Treatment
1	Shell	1	Copper Alloy	Gold Flash all over
2	Housing	1	Hi-Temperature Thermoplastic UL 94V-0	Molded Black
3	Contact	8	Copper Alloy	Contact Area: AU 10u" Min Plating Solderable Area: AU Flash Plating

Part No.:MUSB-F108M-U

Mini USB Male Solder Type 8P



No.	Description	Qty	Material	Treatment
1	Shell	1	Copper Alloy	Nickel
2	Back Housing	1	PBT	Molded Black
3	Front-Shell	1	LCP	Molded Black
4	Contact	8	Phosphor Bronze	Contact Area: AU 10u" Min Plating

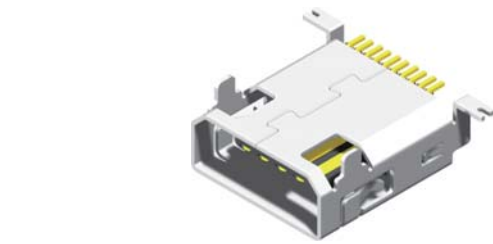
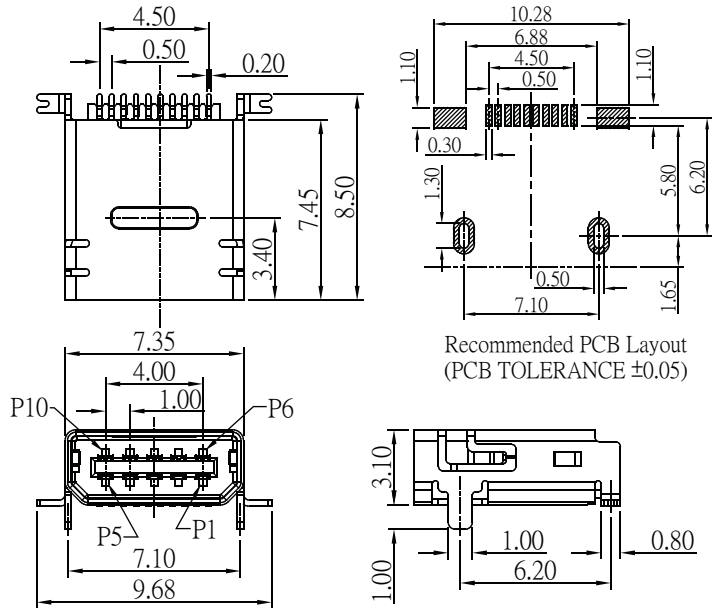
Part No.:MUSB-M108S-U

Mini USB



ROHS

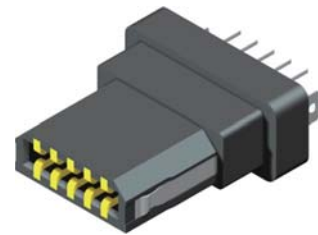
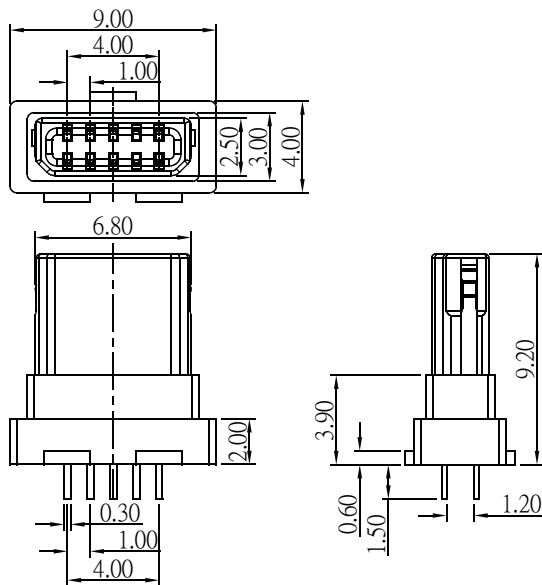
Mini USB Female SMT Type 10P



No.	Parts	QTY	
1	Housing	1	LCP(UL94-V0)Black
2	Contact Pin	10	Copper T=0.15 Under Plated 50u" Min. Nickel Over All Gold Over All, Gold Plated in Contact Area
3	Shell Cover	1	Copper T=0.25 Ni Over All

Part No.:MUSB-F10M-U

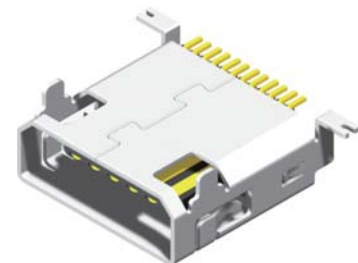
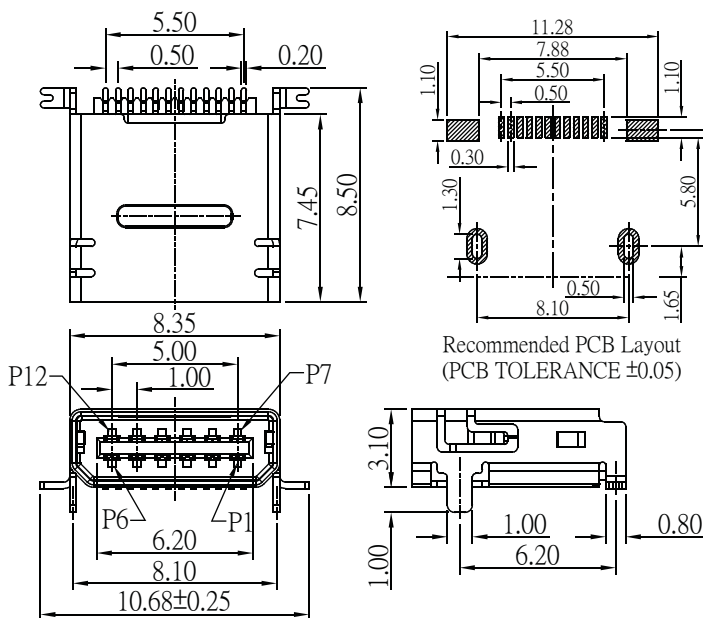
Mini USB Male Solder Type 10P



No.	Name	QTY	Material	Remarks & Thickness	Finish
1	Housing	1	PBT	UL94-V0	Black
2	Contact Pin	10	Phosphor Bronze	T=0.2mm	Gold/Tin
3	Latch	2	Phosphor Bronze	T=0.2mm	Tin
4	Cover	1	PBT	UL94-V0	Black

Part No.:MUSB-M10S-L

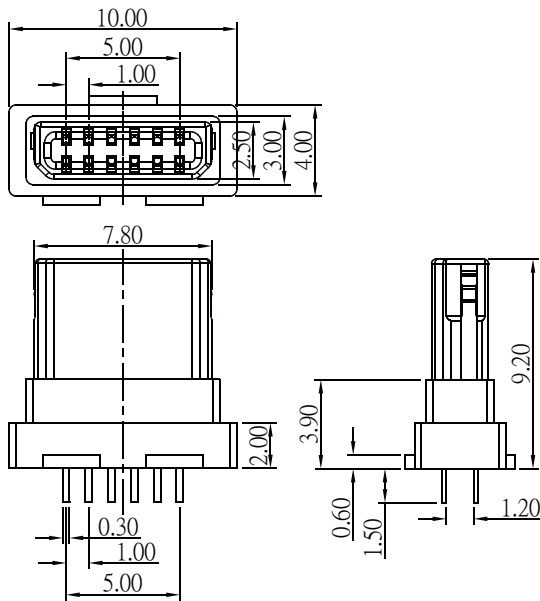
Mini USB Female SMT Type 12P



Part No.:MUSB-F12M-U

No.	Parts	QTY	
1	Housing	1	Nylon 9T(UL94-V0)Black
2	Contact Pin	12	Copper T=0.2 Under Plated 50u" Min. Nickel Over All Gold Over All, Gold Plated in Contact Area
3	Shell Cover	1	Copper T=0.25 Ni Over All

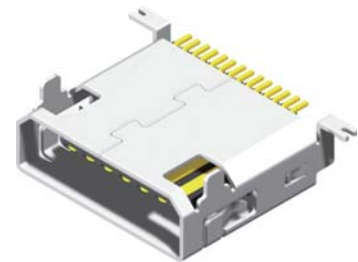
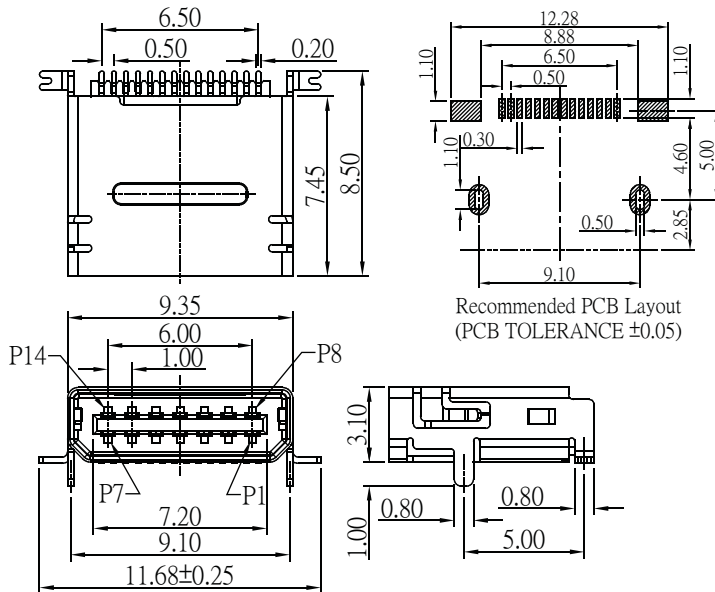
Mini USB Male Solder Type 12P



Part No.:MUSB-M12S-L

No.	Name	QTY	Material	Remarks & Thickness	Finish
1	Housing	1	PBT	UL94-V0	Black
2	Contact Pin	12	Phosphor Bronze	T=0.2mm	Gold/Tin
3	Latch	2	Phosphor Bronze	T=0.2mm	Tin
4	Cover	1	PBT	UL94-V0	Black

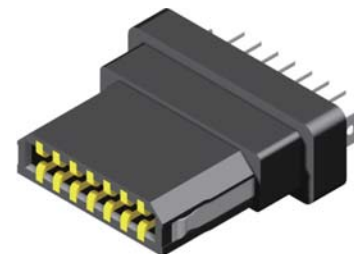
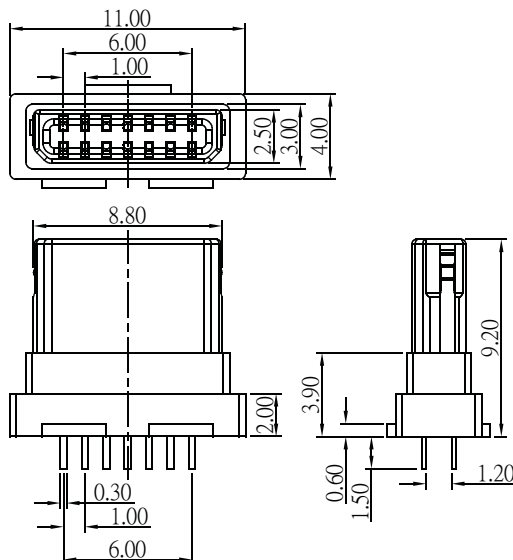
Mini USB Female SMT Type 14P



Part No.:MUSB-F14M-U

No.	Parts	QTY	
1	Housing	1	LCP(UL94-V0)Black
2	Contact Pin	14	Copper T=0.2 Under Plated 50u* Min. Nickel Over All Gold Over All, Gold Plated in Contact Area
3	Shell Cover	1	Copper T=0.25 Ni Over All

Mini USB Male Solder Type 14P



Part No.:MUSB-M14S-L

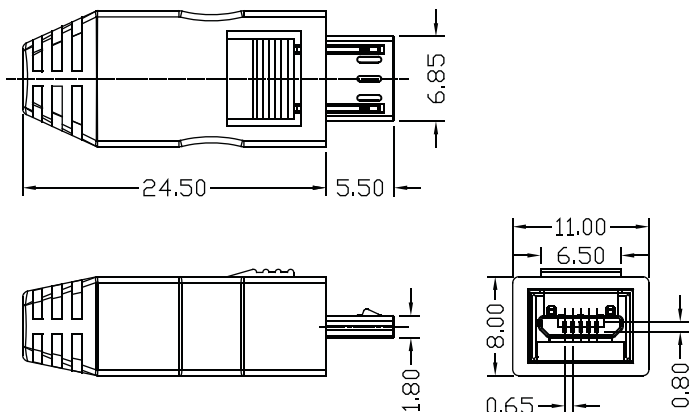
No.	Name	QTY	Material	Remarks & Thickness	Finish
1	Housing	1	PBT	UL94-V0	Black
2	Contact Pin	14	Phosphor Bronze	T=0.2mm	Gold/Tin
3	Latch	2	Phosphor Bronze	T=0.2mm	Tin
4	Cover	1	PBT	UL94-V0	Black

Mini USB



ROHS

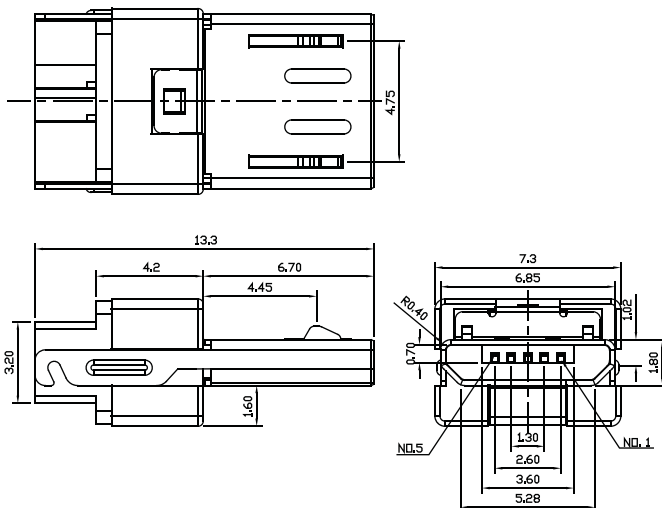
Micro USB Male Solder 5P B Type



Part No.:MIUSBA-M5S-L

No.	Name	Qty	Material	Remarks & Thickness	Finish
1	Shell	1	Stainless		
2	Contact	5	Phosphor Bronze		Gold Flash all over
3	Housing	1	Nylon	UL 94-V0	White
4	Hood	1	Nylon 66	UL 94-V0	Black

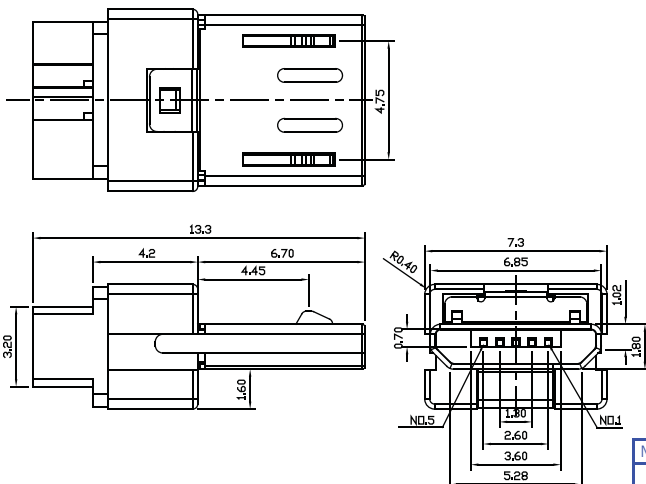
Micro USB Male Solder Type 5P B Type



Part No.:MIUSB-M5S1B-U

No.	Name	Material	Finish	Q'TY	Remark
1	Housing	LCP+GF30%	Black	1	
2	Pin Term.	PBS T=0.20	Tin/Gold Plated	5	Ni:80-120u"; Gold:30u" Tin:120-200u"
3	Shell	Stainless T=0.20	Nichel Plated	1	Ni:80-120u"
4	Cover	LCP+GF30%	Black	1	
5	Spring	Stainless T=0.40		1	

Micro USB Male Solder Type 5P B Type

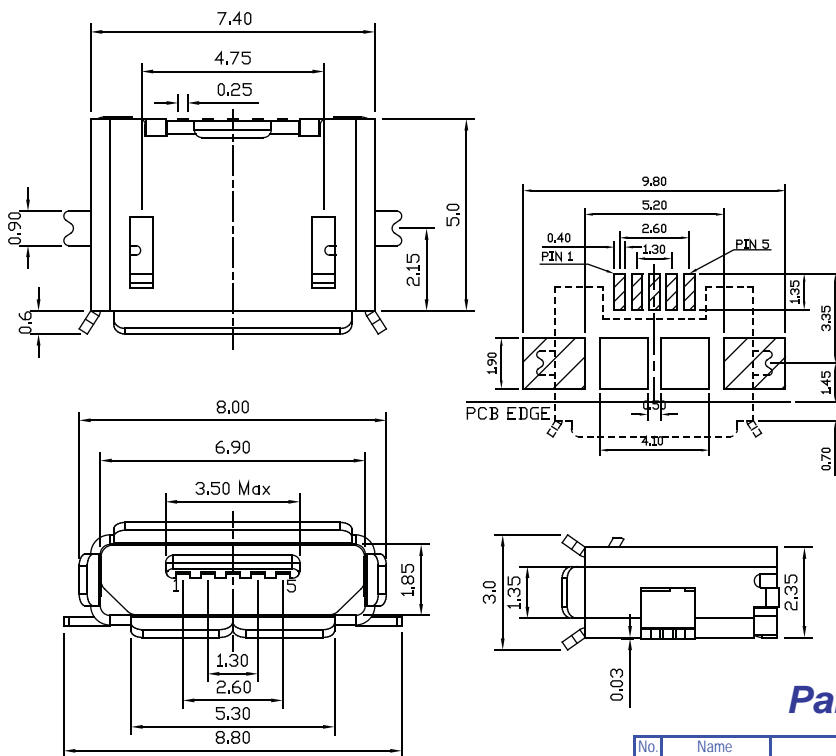


Part No.:MIUSB-M5S2B-U

No.	Name	Material	Finish	Q'TY	Remark
1	Housing	LCP+GF30%	Black	1	
2	Pin Term.	PBS T=0.20	Tin/Gold Plated	5	Ni:80-120u"; Gold:30u" Tin:120-200u"
3	Shell	Stainless T=0.20	Nickel Plated	1	Ni:80-120u"
4	Cover	LCP+GF30%	Black	1	
5	Spring	Stainless T=0.40		1	



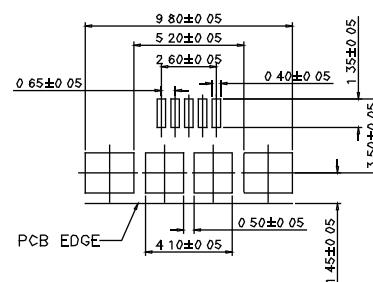
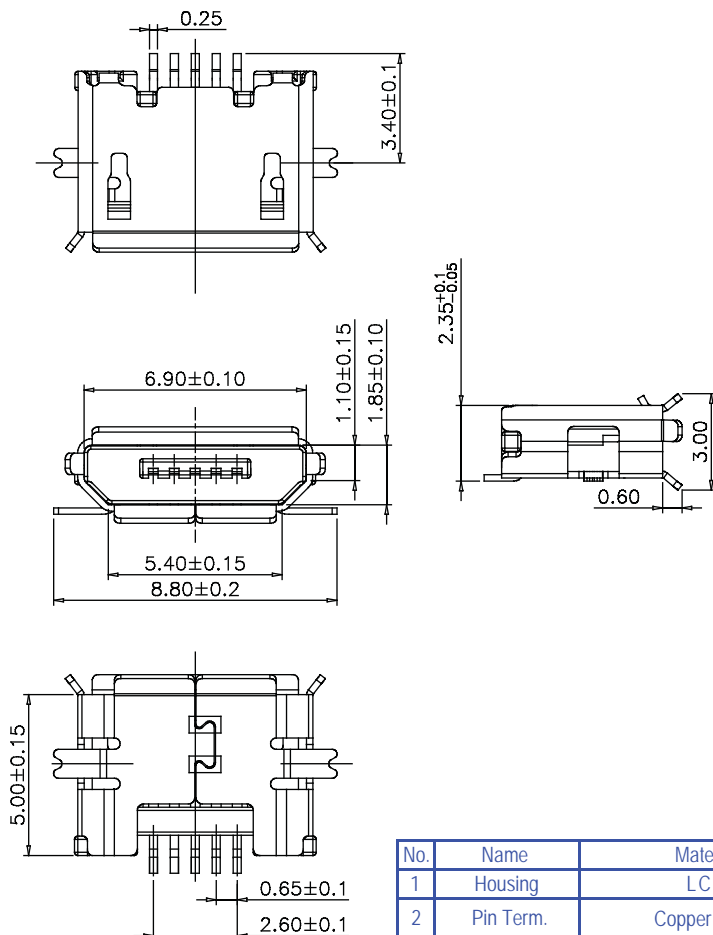
Micro USB Female AB Type SMT 5P



Part No.:MIUSB-F5M-ABB-U

No.	Name	Material	Finish	Q'TY	Remark
1	Housing	LCP+GF30%	Black	1	
2	Pin Term.	Copper Alloy T=0.20	Gold Plated	5	Gold: 30u*
3	Shell	Stainless T=0.20	Nickel Plated	1	Ni:80-120u*

Micro USB Female B Type SMT 5P



Part No.:MIUSB-F5M-BB-U

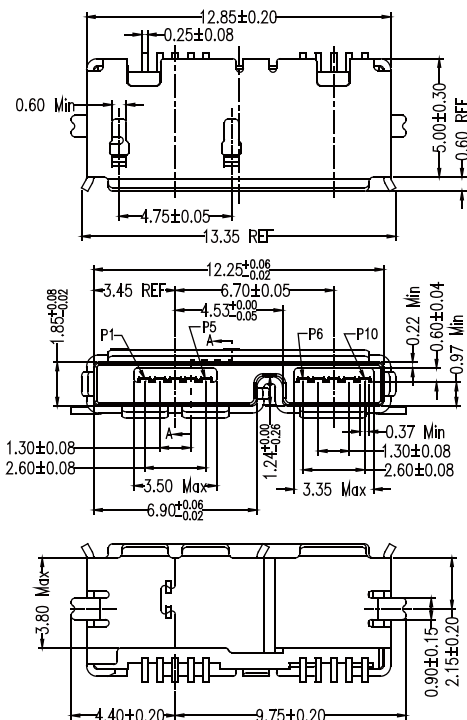
No.	Name	Material	Finish	Q'TY	Remark
1	Housing	LCP	Black	1	
2	Pin Term.	Copper Alloy	Gold Plated	5	Gold
3	Shell	SUS		1	

Micro USB

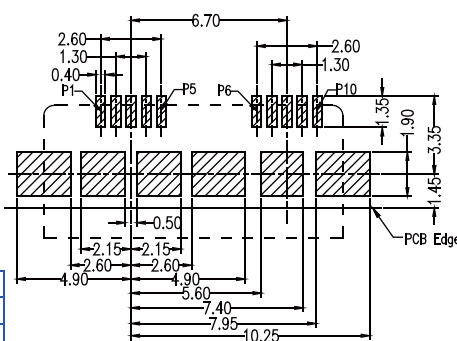
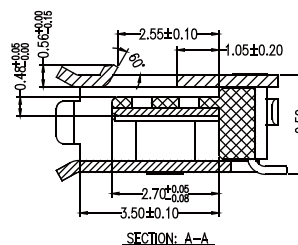
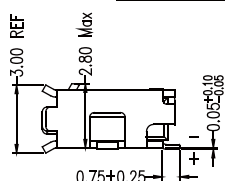


RoHS

Micro USB 3.0 Female AB Type SMT 10P



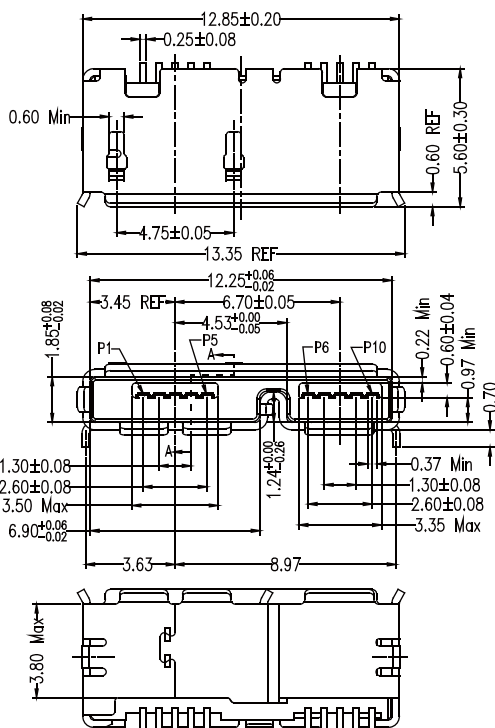
Pin Number	Signal Name
1	VBUS
2	D-
3	D+
4	ID
5	GND
6	MicA_SSTX-
7	MicA_SSTX+
8	GND_DRAIN
9	MicA_SSRX-
10	MicA_SSRX+



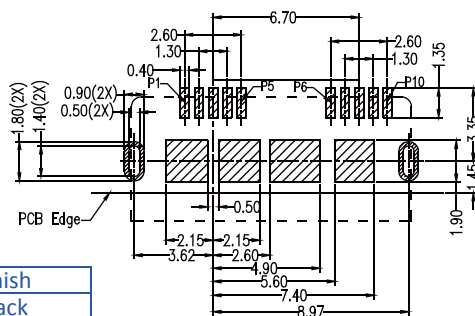
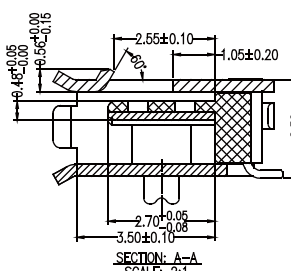
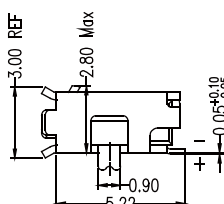
Part No.:MIUSB-F10M-ABB-3.0-U

No.	Name	Q'ty	Material	Remarks & Thickness	Finish
1	Housing	1	LCP	UL94V-0	Black
2	Contact	10	Phosphor Bronze	T=0.20mm	Gold / Tin Plated
3	Shell	1	Stainless Steel	T=0.30mm	Nickel Plated

Micro USB 3.0 Female AB Type SMT 10P



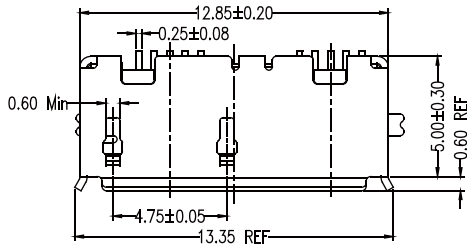
Pin Number	Signal Name
1	VBUS
2	D-
3	D+
4	ID
5	GND
6	MicA_SSTX-
7	MicA_SSTX+
8	GND_DRAIN
9	MicA_SSRX-
10	MicA_SSRX+



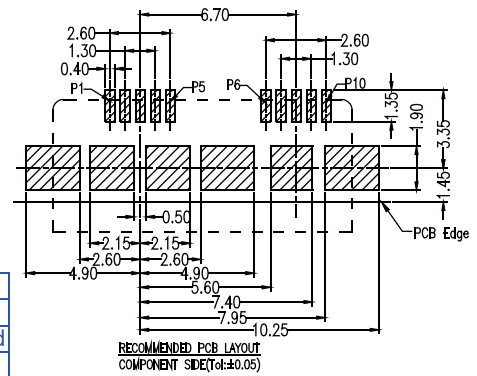
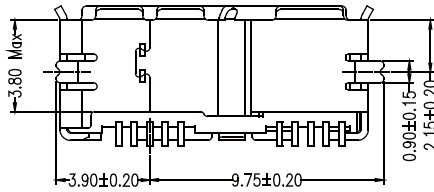
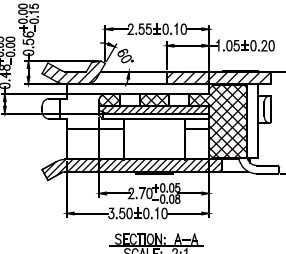
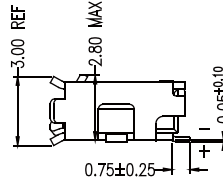
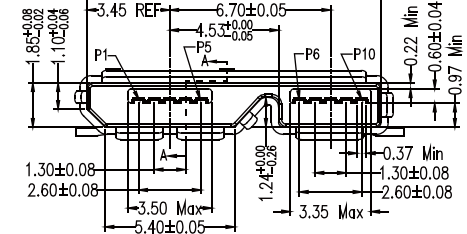
Part No.:MIUSB-F10M-AB1B-3.0-U

No.	Name	Q'ty	Material	Remarks & Thickness	Finish
1	Housing	1	LCP	UL94V-0	Black
2	Contact	10	Phosphor Bronze	T=0.20mm	Gold / Tin Plated
3	Shell	1	Stainless Steel	T=0.30mm	Nickel Plated

Micro USB 3.0 Female B Type SMT 10P



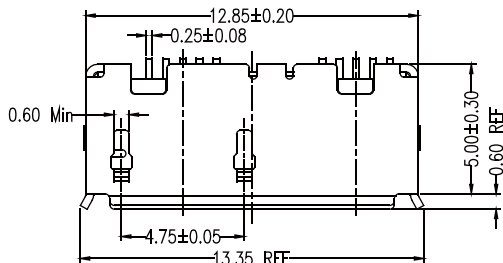
Pin Number	Signal Name
1	VBUS
2	D-
3	D+
4	ID
5	GND
6	MicA_SSTX-
7	MicA_SSTX+
8	GND_DRAIN
9	MicA_SSRX-
10	MicA_SSRX+



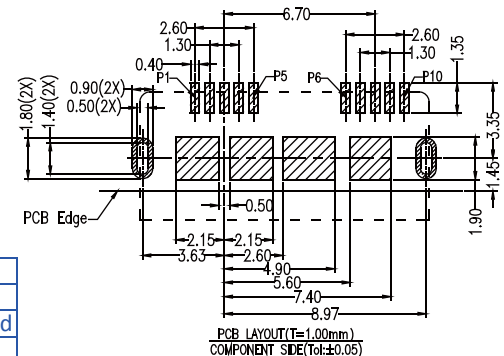
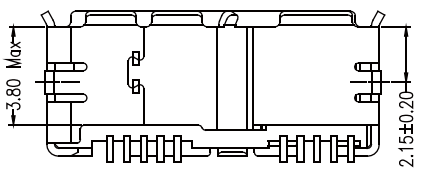
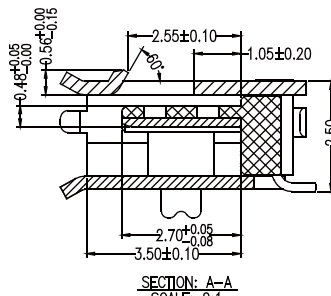
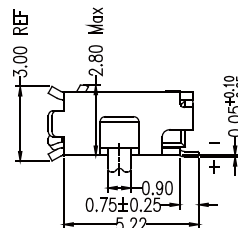
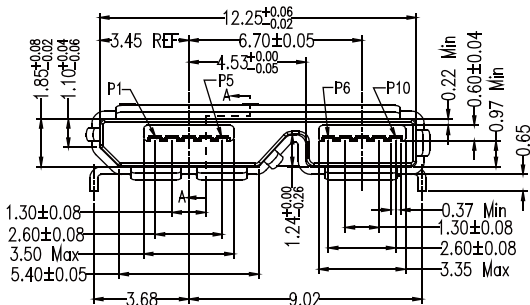
Part No.:MIUSB-F10M-BB-3.0-U

No.	Name	Q'ty	Material	Remarks & Thickness	Finish
1	Housing	1	LCP	UL94V-0	Black
2	Contact	10	Phosphor Bronze	T=0.20mm	Gold / Tin Plated
3	Shell	1	Stainless Steel	T=0.30mm	Nickel Plated

Micro USB 3.0 Female B Type SMT 10P



Pin Number	Signal Name
1	VBUS
2	D-
3	D+
4	ID
5	GND
6	MicA_SSTX-
7	MicA_SSTX+
8	GND_DRAIN
9	MicA_SSRX-
10	MicA_SSRX+



Part No.:MIUSB-F10M-B1B-3.0-U

No.	Name	Q'ty	Material	Remarks & Thickness	Finish
1	Housing	1	LCP	UL94V-0	Black
2	Contact	10	Phosphor Bronze	T=0.20mm	Gold / Tin Plated
3	Shell	1	Stainless Steel	T=0.30mm	Nickel Plated

M
icro USB

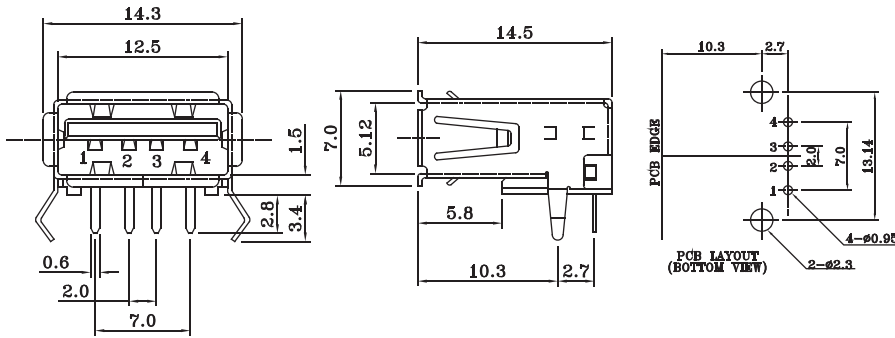
Pb
ROHS

USB

- 6-10 ▶ USB Female Dip 90° A Type
- 6-10 ▶ USB Female Dip Upright A Type
- 6-10 ▶ USB Female Dip 180° A Type
- 6-11 ▶ USB Female SMT 90° A Type
- 6-11 ▶ USB Female SMT 90° A Type With Peg
- 6-11 ▶ USB Female Dip Upright A Type
- 6-12 ▶ USB 3.0 Female Dip 90° A Type
- 6-12 ▶ USB 3.0 Female Dip 180° A Type
- 6-12 ▶ USB 3.0 Male Solder A Type
- 6-13 ▶ USB 3.0 Female Solder A Type
- 6-13 ▶ USB 3.0 Female 2 Ports A Type
- 6-14 ▶ USB Male SMT 90° Sink A Type
- 6-14 ▶ USB Male SMT 90° A Type
- 6-14 ▶ USB Male Dip 90° A Type
- 6-15 ▶ USB Male Dip 90° A Type
- 6-15 ▶ USB Female Reverse Flat Dip 90° A Type
- 6-16 ▶ USB Female Reverse Flat Dip 90° A Type
- 6-16 ▶ USB Male Break SMT / Y Leg A Type
- 6-17 ▶ USB Male Reverse Flat Dip 90° A Type
- 6-17 ▶ USB Male Reverse Flat SMT A Type
- 6-18 ▶ USB Female 2 Port A Type
- 6-18 ▶ USB Female 2 Ports Dip 180° A Type
- 6-19 ▶ USB Female 3 Ports A Type
- 6-19 ▶ USB Female 4 Ports A Type
- 6-20 ▶ USB Female Solder A Type
- 6-20 ▶ USB Male Solder A Type
- 6-21 ▶ USB 3.0 Female Dip 90° B Type
- 6-21 ▶ USB 3.0 Male Solder B Type
- 6-22 ▶ USB Female Dip 90° B Type
- 6-22 ▶ USB Female Dip 90° B Type
- 6-22 ▶ USB Female Dip 90° Flat B Type
- 6-23 ▶ USB Female Dip 180° B Type
- 6-23 ▶ USB Female SMT 90° B Type
- 6-23 ▶ USB Female SMT 180° B Type
- 6-24 ▶ USB Female Solder B Type
- 6-24 ▶ USB Male Solder B Type



USB Female Dip 90° A Type

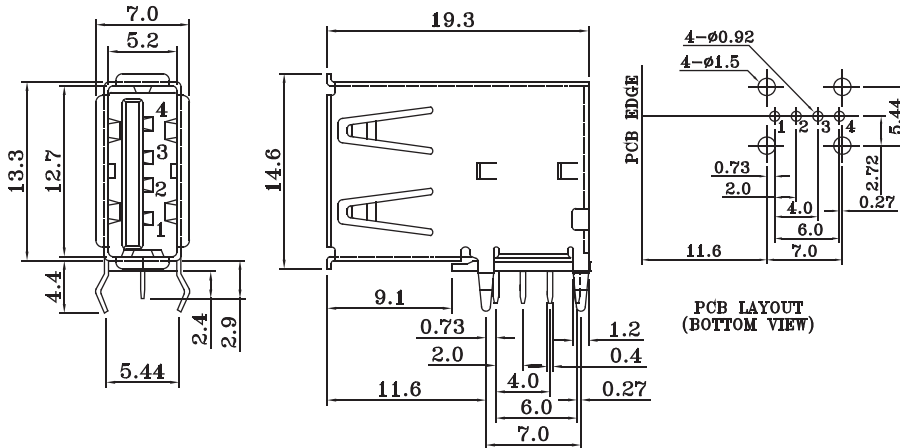


Part No.: USB-001-A -L

B:Black W:White

No.	Name	Q'ty	Material	Remarks & Thickness	Finish
1	Housing	1	PBT G.F.		White/Black
2	Pin Term.	4	Copper Alloy T:0.25	Gold:1-3u" NT:40-60 Tin:120u" (100% Pure Tin of Lead Free Plating)	Gold/Tin Plating

USB Female Dip Upright A Type

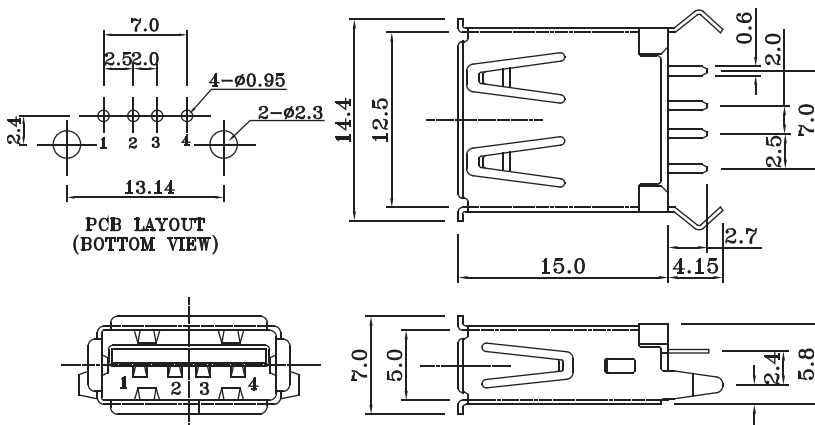


Part No.: USB-001V-A -L

B:Black W:White

No.	Name	Q'ty	Material	Remarks & Thickness	Finish
1	Housing	1	PBT G.F.		White/Black
2	Pin Term.	4	Copper Alloy T:0.25	Ni:1-1.5u; Tin:3u; Gold:1-3u"	Gold/Tin Plated
3	Bottom Cover	1	PBT G.F.		White

USB Female Dip 180° A Type

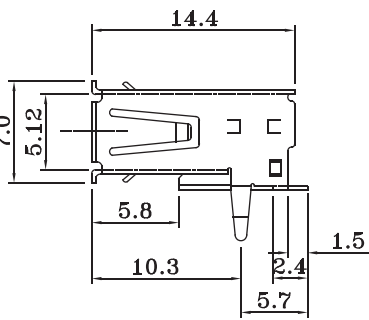
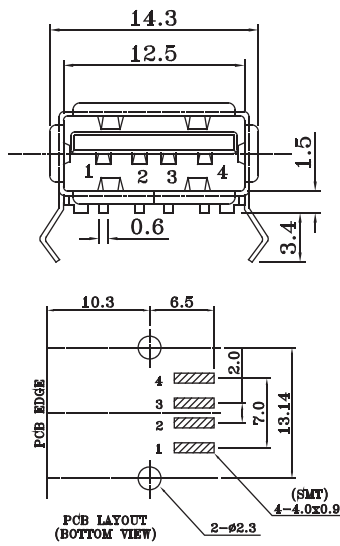


Part No.: USB-001K-A -L

B:Black W:White

No.	Name	Q'ty	Material	Remarks & Thickness	Finish
1	Housing	1	PBT G.F.		White/Black
2	Pin Term.	4	Copper Alloy T:0.25	Ni:1-1.5u; Tin:3u; Gold:1-3u"	Gold/Tin Plated
3	Bottom Cover	1	PBT G.F.		White

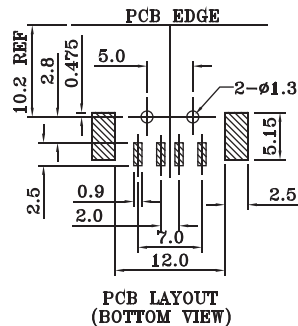
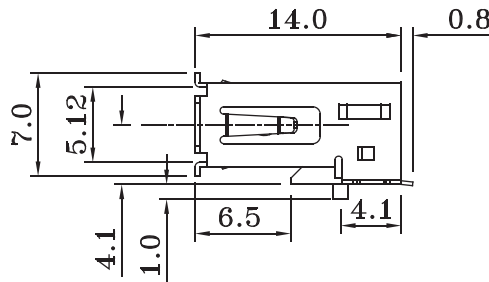
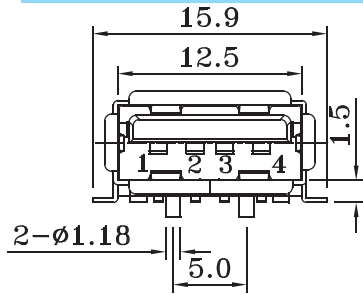
USB Female SMT 90°A Type



Part No.: USB-001H-A -U
B:Black W:White

No.	Name	Q'ty	Material	Remarks & Thickness	Finish
1	Housing	1	Nylon 9T G.F.		White/Black
2	Pin Term.	4	Copper Alloy T:0.25	Ni:1-1.5u;Tin:3u;Gold:1-3u**	Gold/Tin Plated

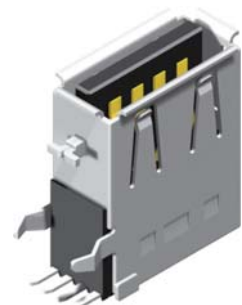
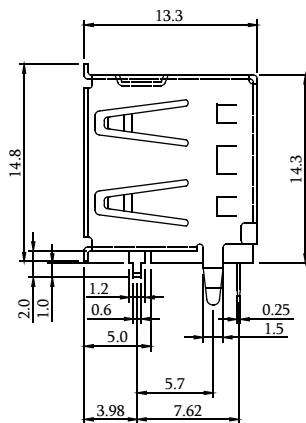
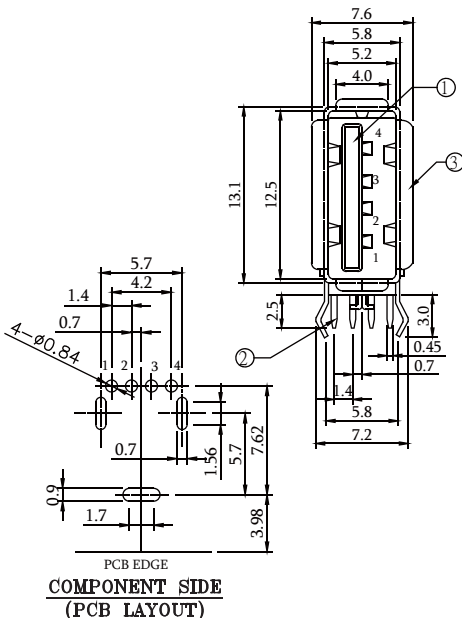
USB Female SMT 90°A Type With Peg



Part No.: USB-001FA-A1 -U
B:Black W:White

No.	Name	Qty	Material	Remarks & Thickness	Finish
1	Housing	1	Nylon 9T G.F.		Black
2	Pin Term.	4	Copper Alloy T:0.25	Ni:1-1.5u;Tin:3u;Gold:1-3u**	Gold/Tin Plated

USB Female Dip Upright A Type



Part No.: USB-001VF-A -U
B:Black W:White

No.	Name	Q'ty	Material	Remarks & Thickness	Finish
1	Housing	1	Nylon 9T G.F.		White/Black
2	Pin Term.	4	PBS T:0.25	Ni:1-1.5u;Tin:3u;Gold:1-3u**	Gold/Tin Plated



CONNECTORS MANUFACTURER

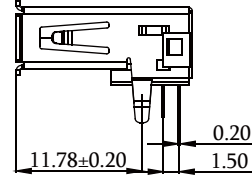
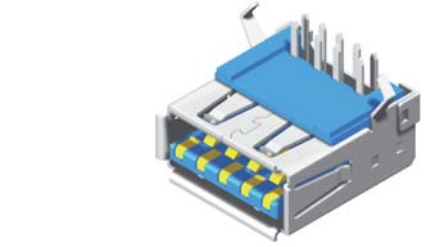
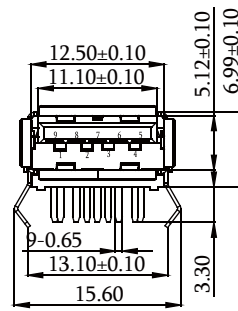
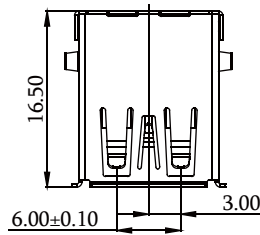
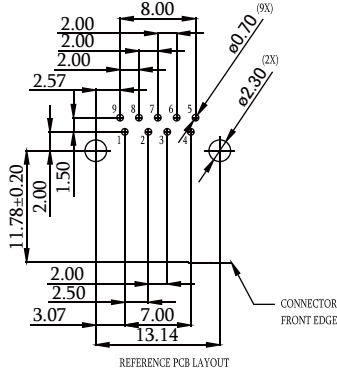
USB 3.0 Female Dip 90° A Type

Specification

- 1.Contact Resistance: 30 m Ohm Max.
- 2.Withstanding Voltage: 500V AC For 1 Minute.
- 3.Insulation Resistance: 100 MEGA ohms MIN.

Material and Finish

1. Insulator Material: PBTUL94-V0, Blue
2. Contact Material: Brass (C2680-H) T=0.20
3. Contact Area Plated: Gold 1-30u" Plated Over Nickel 50u"
4. Solder Area Plated: Tin Plated (80u" Min Lead Free)
5. Connector Shell Material: Brass or SPCC T=0.30
6. Connector Shell Plated: Nickel 80u" Plated Over Cu 50u"



Part No.: USB-001-AU-3.0-L

USB 3.0 Female Dip 180° A Type

1. ELECTRICAL:

- 1.1 CONTACT RESISTANCE : 30 MILLIOHMS MAX.
- 1.2 DIELECTRIC WITHSTANDING VOLTAGE : 500 VAC FOR 1 MINUTE.
- 1.3 INSULATION RESISTANCE : 1000 MEGAOHMS MIN. AT 500 VDC

2. MECHANICAL:

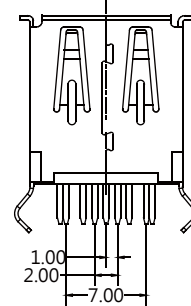
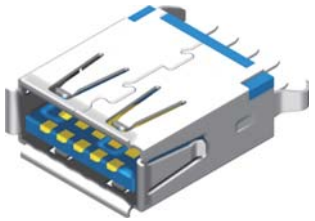
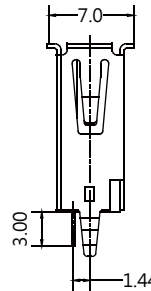
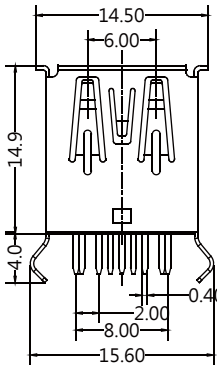
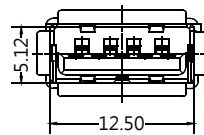
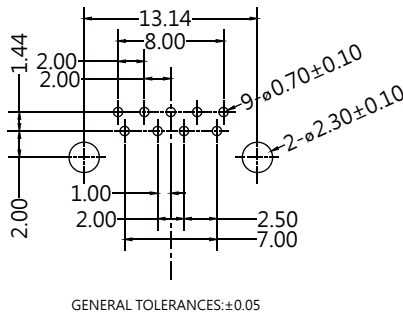
- 2.1 DURABILITY : 5000 CYCLES MIN.
- 2.2 MATING FORCE 3.5KGF MAX. UNMATING FORCE 1.0KGF MIN.

3. ENVIRONMENTAL:

- OPERATION TEMPERATURE : -25°C~+85°C

4. CONTACT FINISH:

- SELECTIVE 15u" COLD PLATED OVER NICKEL



Part No.: USB-001K-AU-3.0-L

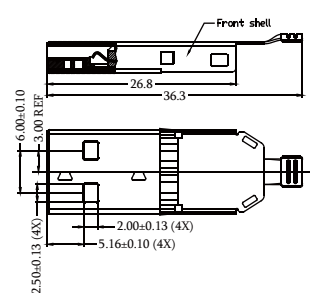
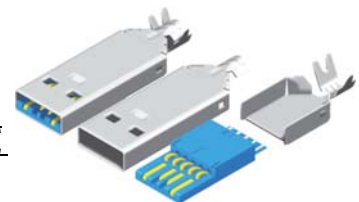
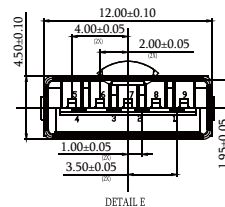
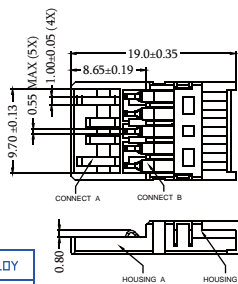
USB 3.0 Male Solder A Type

Specification

- 1.Contact Resistance: 30 m Ohm Max.
- 2.Withstanding Voltage: 500V AC For 1 Minute.
- 3.Insulation Resistance: 100 MEGA ohms MIN.

Material and Finish

1. Insulator Material: PBTUL94-V0, Blue
2. Contact Material: Phosphor Bronze (C5191-EH) T=0.25 / Brass (C2680-H) T=0.20
3. Contact Area Plated: Gold 1-30u" Plated Over Nickel 50u"
4. Solder Area Plated: Tin Plated (80u" Min Lead Free)
5. Connector Shell Material: Brass or SPCC T=0.30
6. Connector Shell Plated: Nickel 80u" Plated Over Cu 50u"



④	Contact B	5	COPPER ALLOY
③	Contact A	4	COPPER ALLOY
②	Housing B	1	THERMOPLASTIC
①	Housing A	1	THERMOPLASTIC
ITEM	PART NAME	Q'TY	MATERIALS

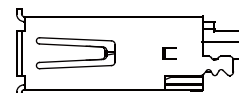
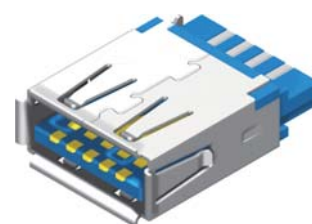
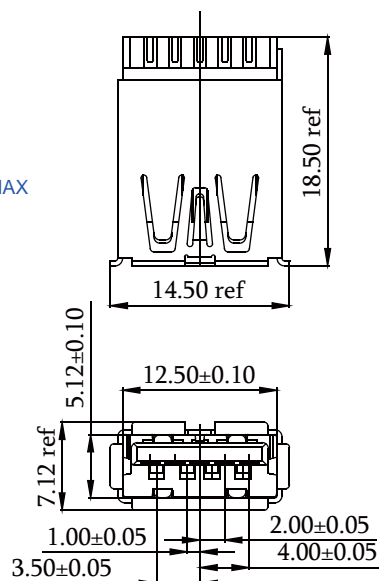
Part No.: USB-MSLA-AU-3.0-L

USB Comm. Series

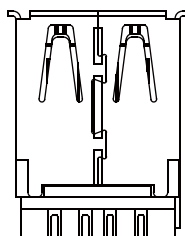
ROHS

USB 3.0 Female Solder A Type

- 1.MECHANICAL:
 MATING: 35N MAX.
 WITHDRAWAL: 10N MIN.
 DURABILITY: 1500 CYCLES MIN.
- 2.ELECTRICAL:
 CURRENT: 100mA MAX
 VOLTAGE: 20mV MAX
 WITHSTANDING VOLTAGE: 100V AC
 CONTACT RESISTANCE: 30 mΩ MAX/50mΩ MAX
 INSULATION RESISTANCE: 1000MΩ MIN



ITEM	PART NAME	Q'TY	Material
1	HOUSING	1	PBT+30%GF,BLUE
2	COVER	1	PBT+30%GF,BLUE
3	CONTACT1	4	C5191,GOLD 15U'
4	CONTACT2	5	C2680,GOLD 15U'



Part No.:USB-FS-AU-3.0-L

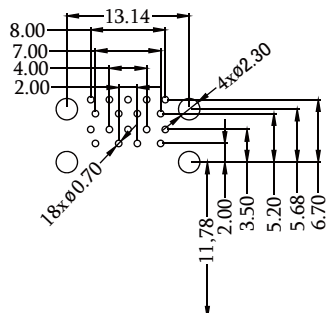
USB 3.0 Female 2 Ports A Type

Specifications:

- Contact Resistance: 30 m Ohm Max.
- Withstanding Voltage: 500V AC For 1 Minute.
- Insulation Resistance: 100 MEGA ohms MIN.

Material and Finish:

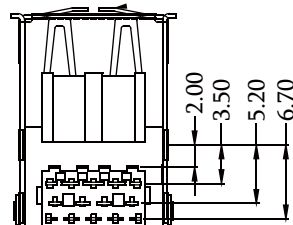
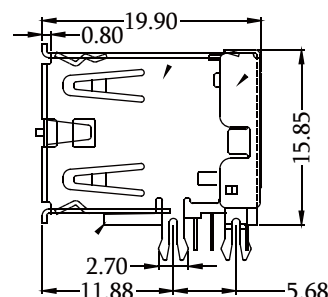
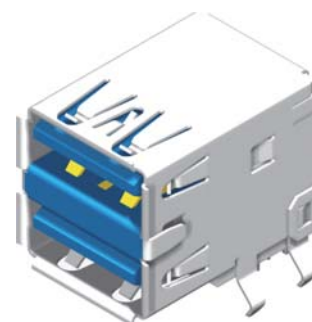
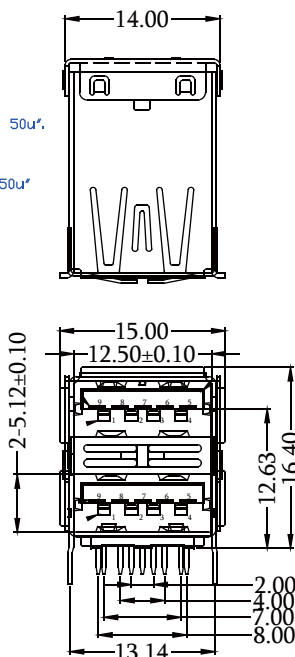
- Insulator Material: PBT UL94-V0,Blue
- Contact Material: Brass (C2680-H) T=0.20.
- Contact Area Plated: Gold 1~30u' Plated Over Nickel 50u'.
- Solder Area Plated: Tin Plated(80u' min Lead Free)
- Connector Shell Material: Brass or SPCC T=0.30
- Connector Shell Plated: Nickel 80u' Plated Over Cu 50u'
- Packaging: Tray.



RECOMMENDED P.C.B LAYOUT (COMPONENT SIDE)

PCB THICKNESS:±0.05
 DEF AULT TOLERANCE:±0.05

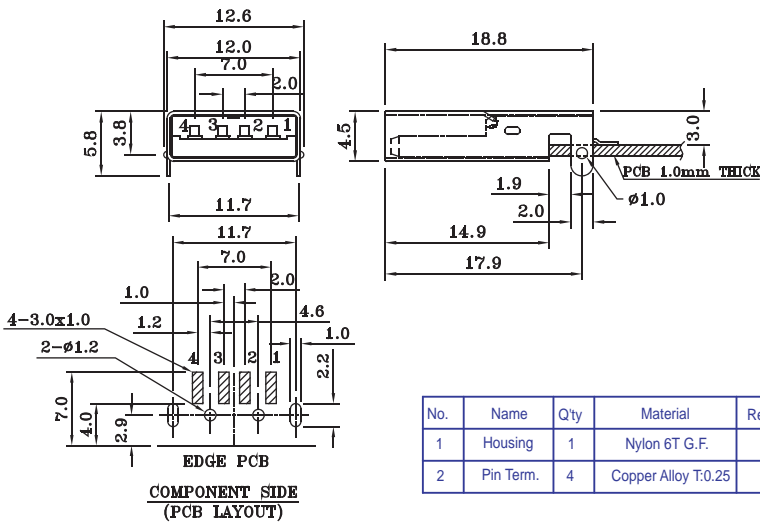
ITEM	TITLE	MATERIAL	QTY
1.	4PINShort Contact	C5191-H	1
2.	4PINLong Contact	C5191-H	1
3.	5PINShort Contact	C2680-EH	1
4.	5PINLong Contact	C2680-EH	1
5.	Ground Finger	SUS301	1
6.	Rear Shell	SPCC / Nickel 80u"-100u"	1
7.	Organizer		1
8.	Frame	PBT UL 94V-0, Blue	1
9.	MOD ING		2



Part No.:USB-002-AU-3.0-L



USB Male SMT 90° A Type

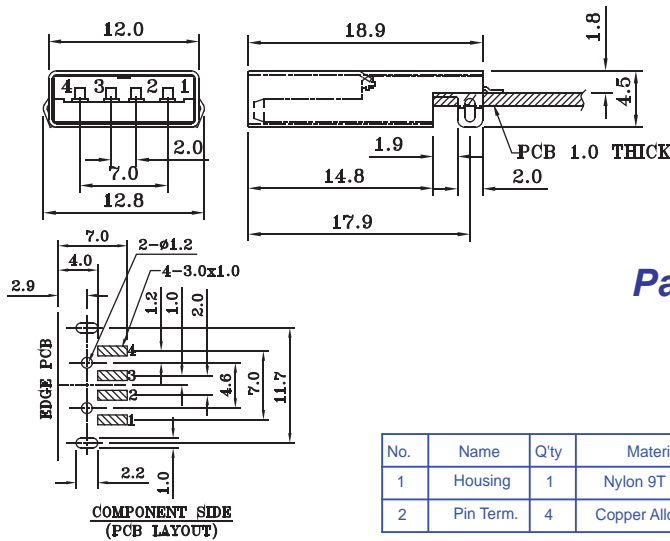


Part No.: **USB-001MS-A** -U

B:Black W:White

No.	Name	Q'ty	Material	Remarks & Thickness	Finish
1	Housing	1	Nylon 6T G.F.		White/Black
2	Pin Term.	4	Copper Alloy T:0.25	Ni:1-1.5u;Tin:3u. Gold:1-3u"	Gold/Tin Plated

USB Male SMT 90° Sink A Type

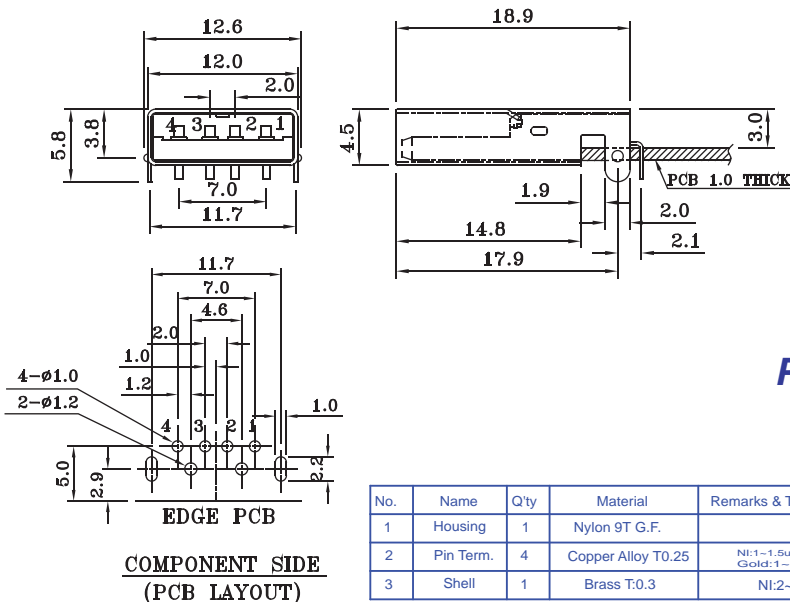


Part No.: **USB-001MSK1-A1** -U

B:Black W:White

No.	Name	Q'ty	Material	Remarks & Thickness	Finish
1	Housing	1	Nylon 9T G.F.		White/Black
2	Pin Term.	4	Copper Alloy T0.25	Ni:1-1.5u;Tin:3u. Gold:1-3u"	Gold/Tin Plated

USB Male Dip 90° A Type



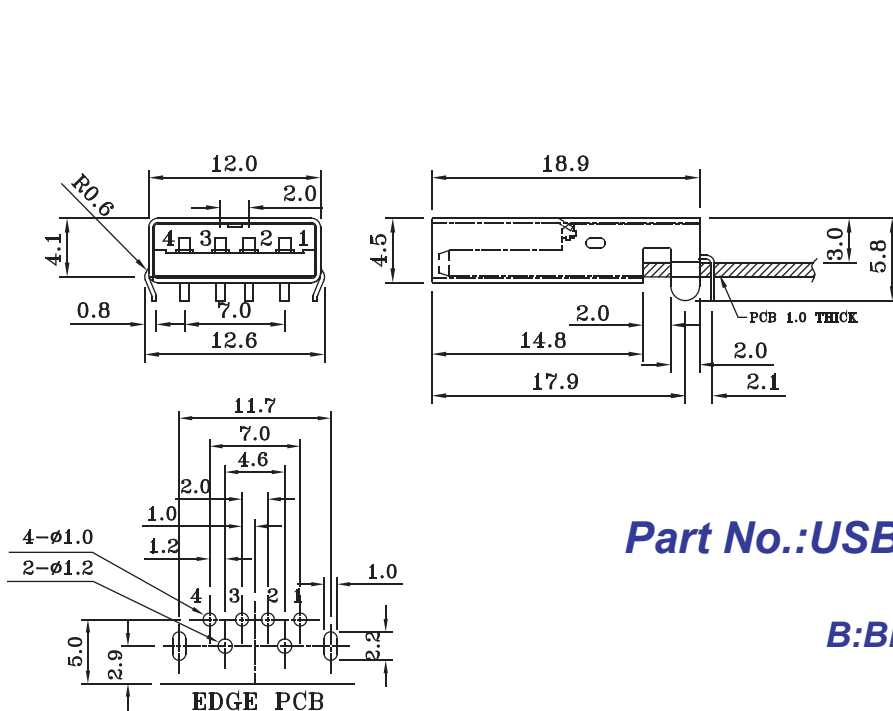
Part No.: **USB-001MD-A** -U

B:Black W:White

No.	Name	Q'ty	Material	Remarks & Thickness	Finish
1	Housing	1	Nylon 9T G.F.		White/Black
2	Pin Term.	4	Copper Alloy T0.25	Ni:1-1.5u;Tin:3u. Gold:1-3u"	Gold/Tin Plated
3	Shell	1	Brass T0.3	Ni:2-3u	Nickel Plated



USB Male Dip 90° A Type



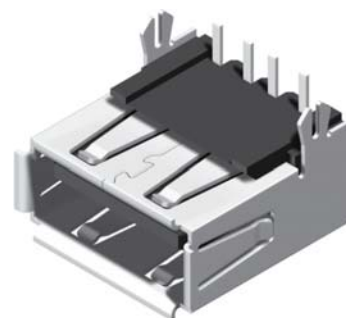
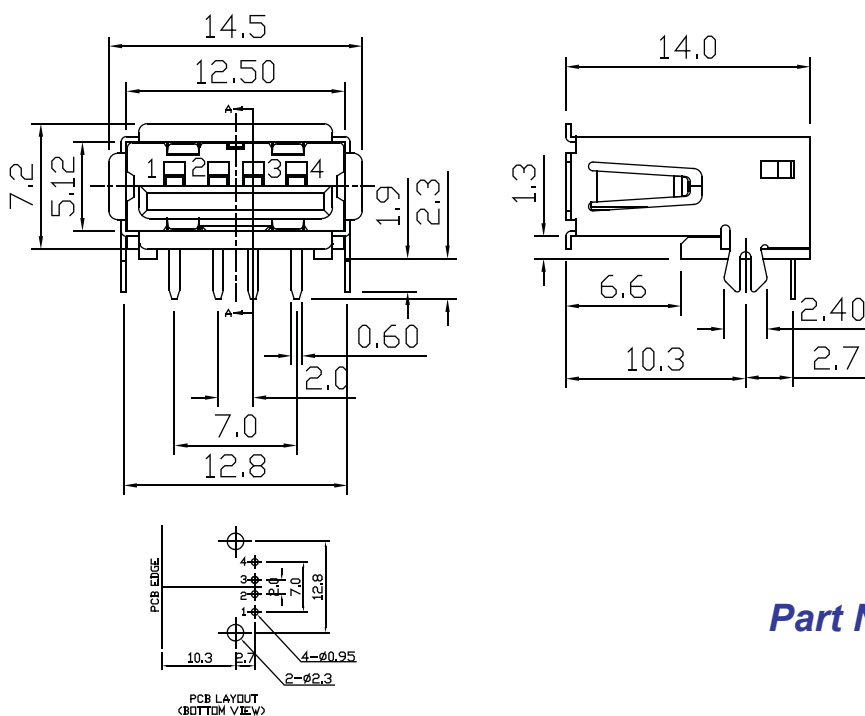
Part No.:USB-001MDK-A -U

B:Black W:White

**COMPONENT SIDE
(PCB LAYOUT)**

No.	Name	Q'ty	Material	Remarks & Thickness	Finish
1	Housing	1	Nylon 9T G.F.		White/Black
2	Pin Term.	4	Copper Alloy T0.25	Ni:1-1.5u; Tin:3u. Gold:1-3u"	Gold/Tin Plated

USB Female Reverse Flat Dip 90° A Type



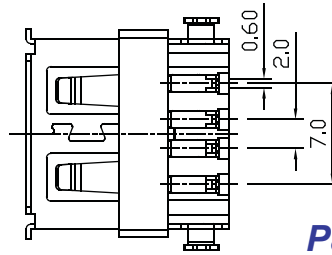
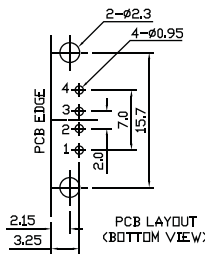
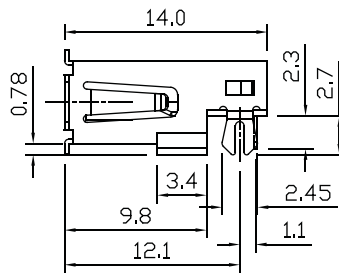
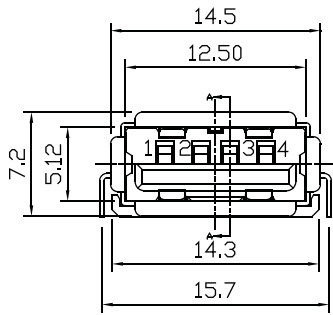
Part No.:USB-001RD-A -L

B:Black W:White

No.	Name	Material	Finish	Q'TY	Remark
1	Housing	PBT G.F.	Black/White	1	
2	Terminal	Phos. Bronze T=0.25	Gold/Tin Plated	4	Gold:1-3- μ m; Ni:40-60- μ m; Tin:120- μ m (100% Pure Tin of Lead Free Plating)



USB Female Reverse Flat Dip 90° A Type

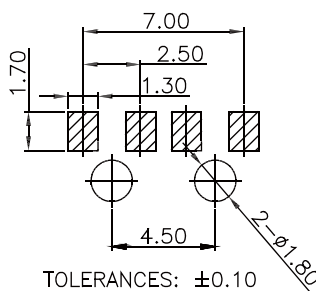
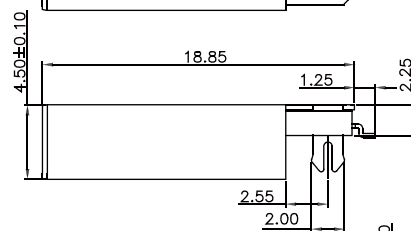
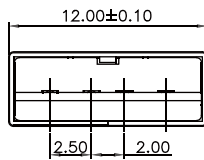
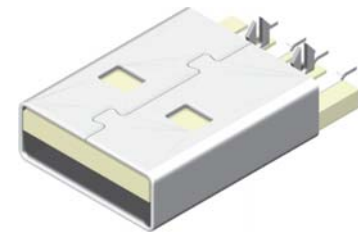
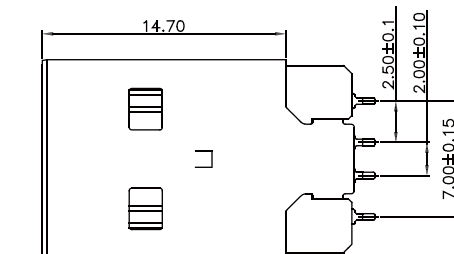


Part No.: **USB-001RD-A1**  -L

B:Black W:White

No.	Name	Material	Finish	Q'TY	Remark
1	Housing	PBT G.F.	Black/White	1	
2	Terminal	Phos. Bronze T=0.25	Gold/Tin Plated	4	Gold:1-3 μ m, Ni:40-60 μ m ; Tin:120 μ m (100% pure Tin of lead free plating)

USB Male Break SMT / Y Leg A Type



TOLERANCES: ± 0.10
RECOMMEND PCB LAYOUT

Part No.: **USB-001Y-AW-U**

W:White

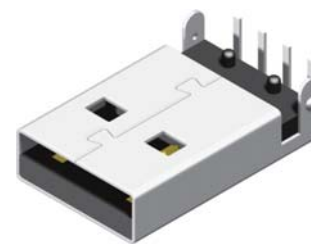
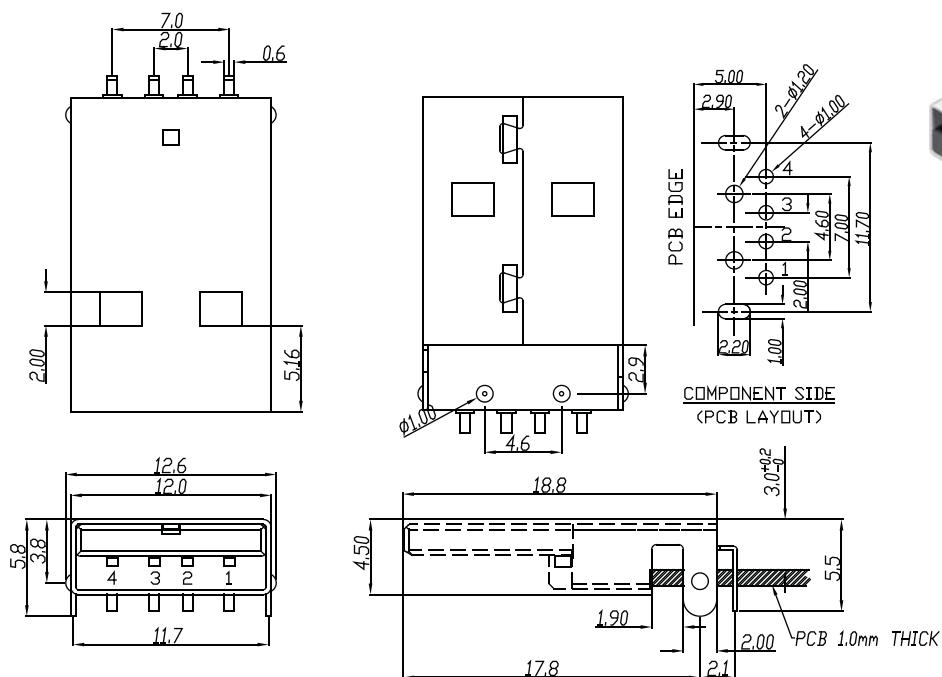
No.	Name	Q'ty	Material	Remarks & Thickness	Finish
1	Housing	1	Nylon 6T		White
2	Pin Term.	4	Copper Alloy	Ni:1-1.5u;Tin:3u. Gold:1-3u"	Gold/Tin Plated

U SB Comm. Series



ROHS

USB Male Reverse Flat Dip 90° A Type

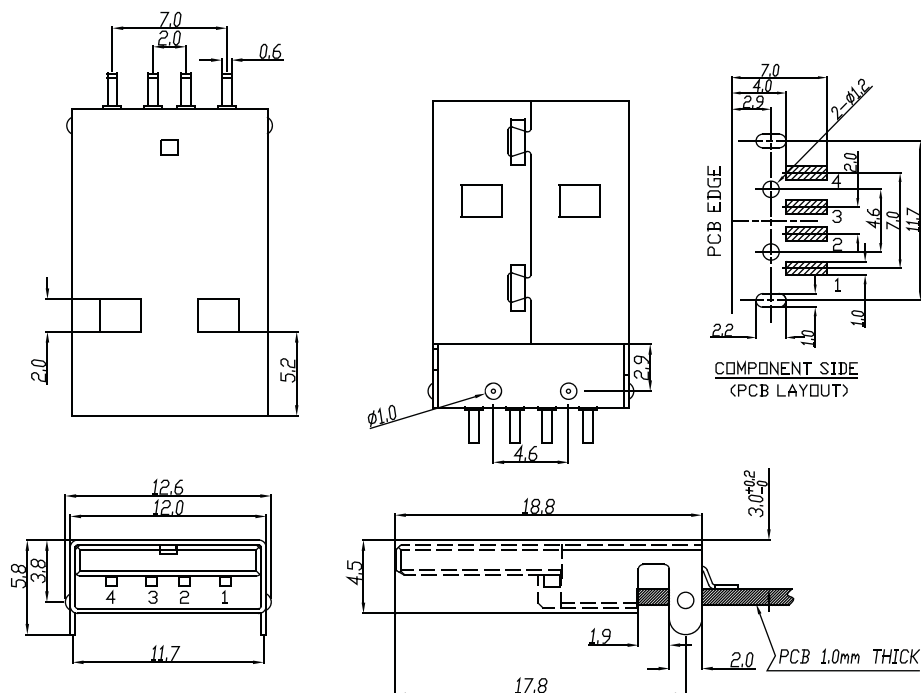


No.	Name	Material	Finish	Remark	QTY
1	Housing	Nylon 9T G.F.	Black/White		1
2	Pin Term.	Brass EH T=0.25 mm	Gold/Tin Plated	Gold:1-3u"; Ni:40-60u"; Tin:120u" (100% pure Tin of lead free plating)	4

Part No.: USB-001MRD-A S-U

B:Black W:White

USB Male Reverse Flat SMT A Type



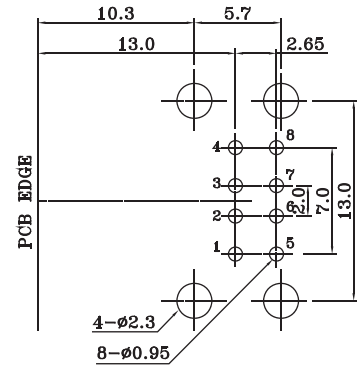
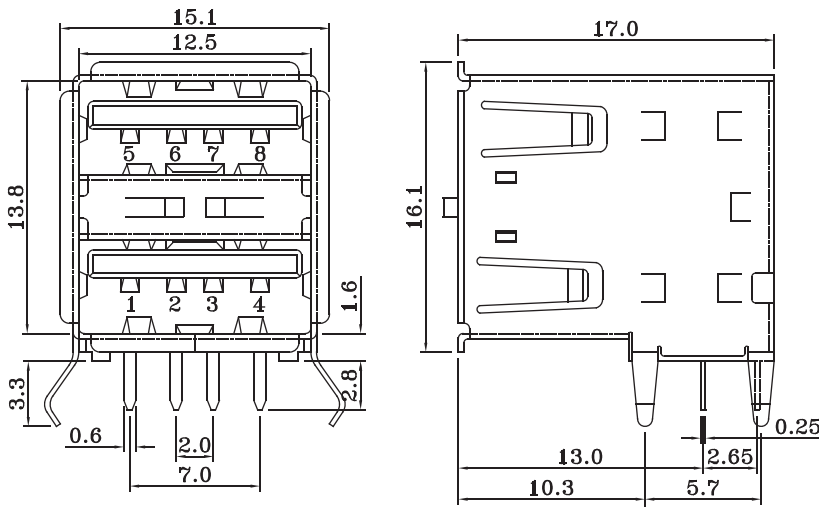
No.	Name	Material	Finish	Remark	QTY
1	Housing	Nylon 9T G.F.	Black/White		1
2	Pin Term.	Brass EH T=0.25 mm	Gold/Tin Plated	Gold:1-3u"; Ni:40-60u"; Tin:120u" (100% pure Tin of lead free plating)	4

Part No.: USB-001MRS-A S-U

B:Black W:White



USB Female 2 Ports A Type



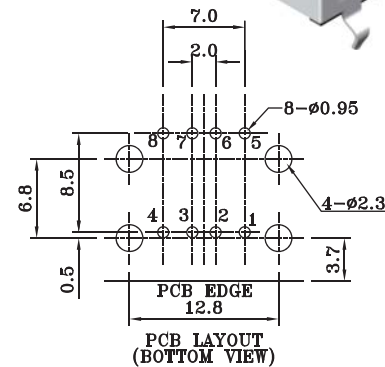
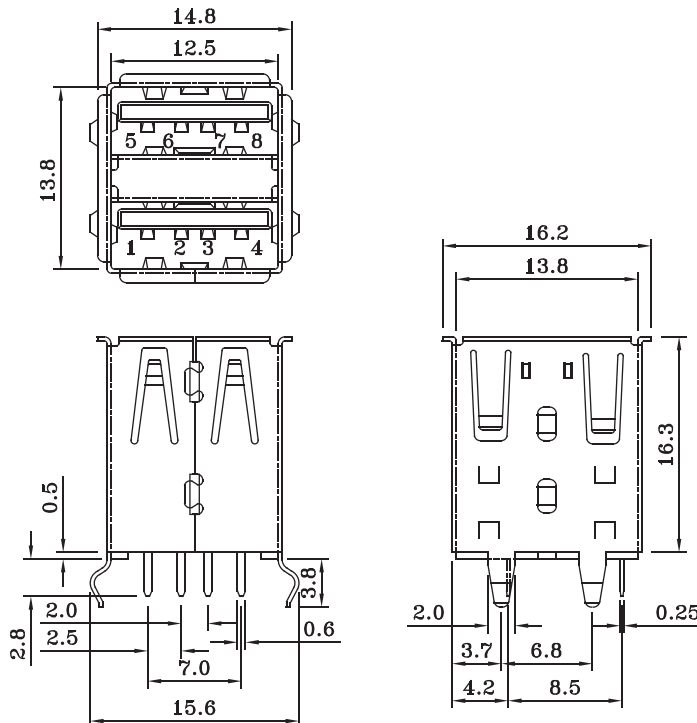
PCB LAYOUT (BOTTOM VIEW)

No.	Name	Qty	Material	Remarks & Thickness	Finish
1	Housing	1	PBT G.F.		White/Black
2	Pin Term.	8	Copper Alloy T:0.25	Ni:1-5u ; Tin:3u. Gold:1-3u*	Gold/Tin Plated

Part No.:USB-002-A -L

B:Black W:White

USB Female 2 Ports Dip 180°A Type



PCB LAYOUT (BOTTOM VIEW)

No.	Name	Qty	Material	Remarks & Thickness	Finish
1	Housing	1	PBT G.F.		White/Black
2	Pin Term.	8	Copper Alloy T:0.25	Ni:1-5u ; Tin:3u. Gold:1-3u*	Gold/Tin Plated
3	Spacer	2	PC		Natural

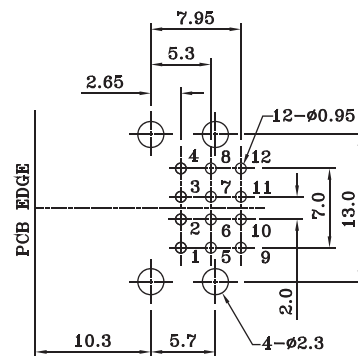
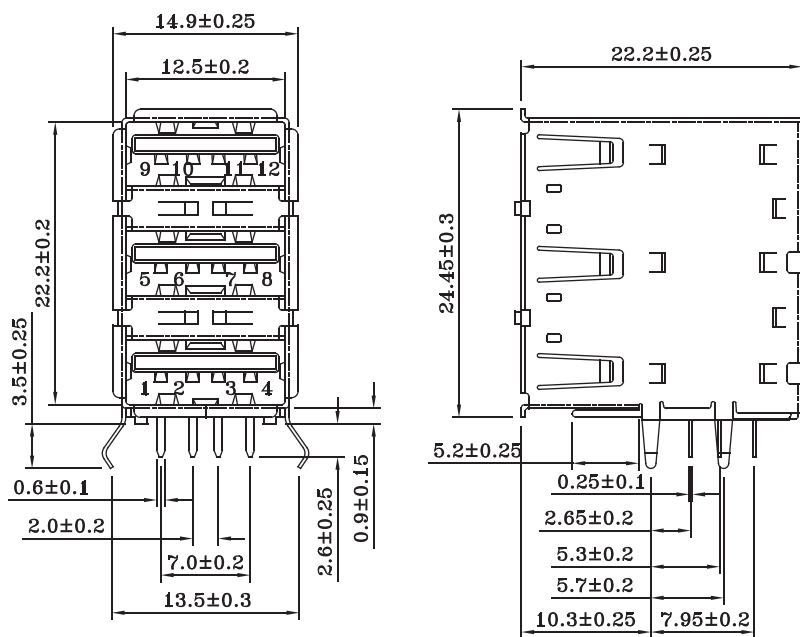
Part No.:USB-002K-A1 -L

B:Black W:White

USB Comm. Series



USB Female 3 Ports A Type

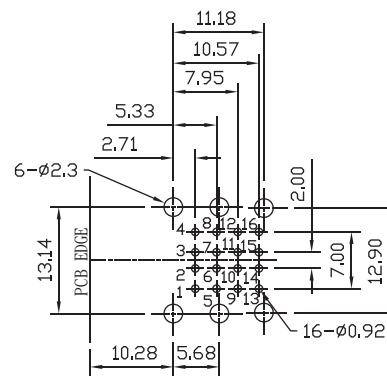
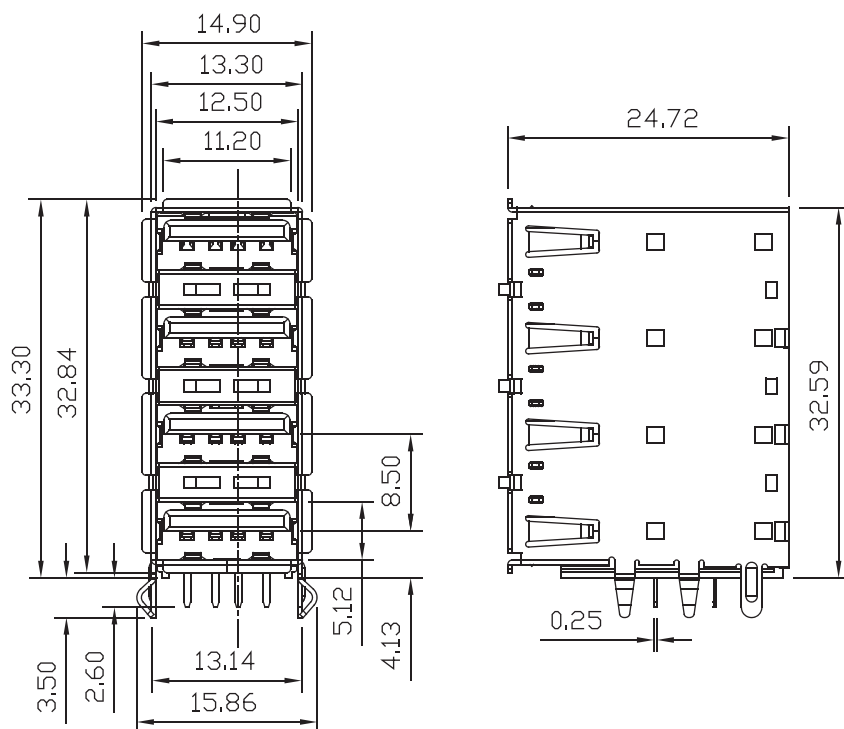


No.	Name	Q'ty	Material	Remarks & Thickness	Finish
1	Housing	1	P.B.T		White/Black
2	Pin Term.	12	Copper Alloy	Ni-1-5µ; Tin-3µ; Gold-1-3µ	Gold/Tin Plated
3	Bottom Cover	1	Nylon		Black

Part No.: **USB-003-A** -L

B:Black W:White

USB Female 4 Ports A Type



BOTTOM VIEW
RECOMMENDED PCB LAYOUT

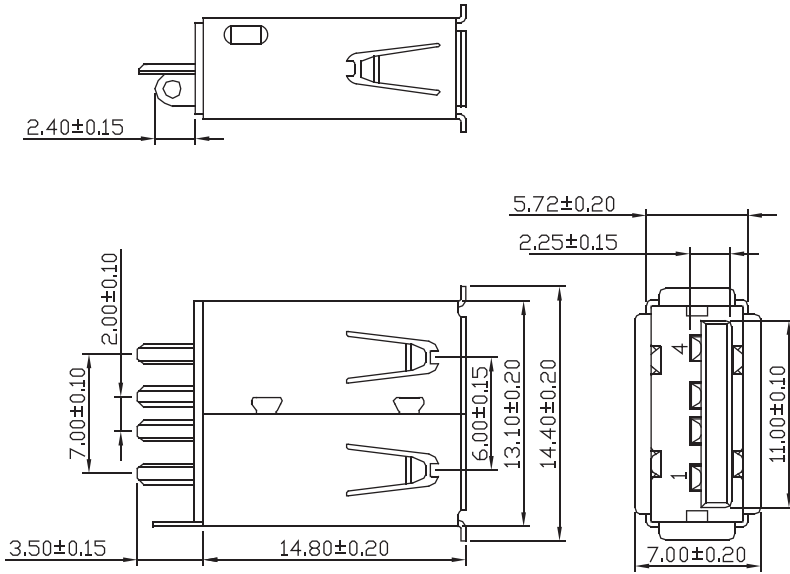
No.	Name	Q'ty	Material	Finish
1	Housing	1	PBT	Black
2	Pin Term. 1-2Port	8	Copper Alloy	Gold/Tin Plated
3	Pin Term. 3-4Port	8	Copper Alloy(C7025)	Gold/Tin Plated
4	Spacer	1	PBT	Black

Part No.: **USB-004-A** -L

B:Black W:White



USB Female Solder A Type

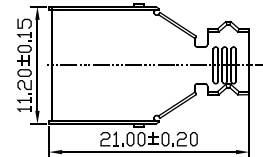
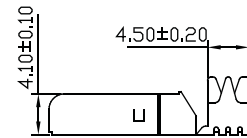
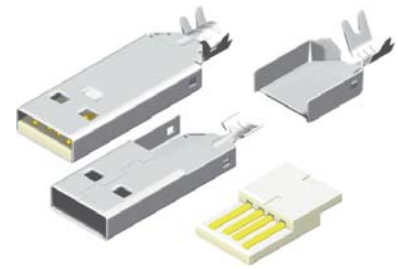
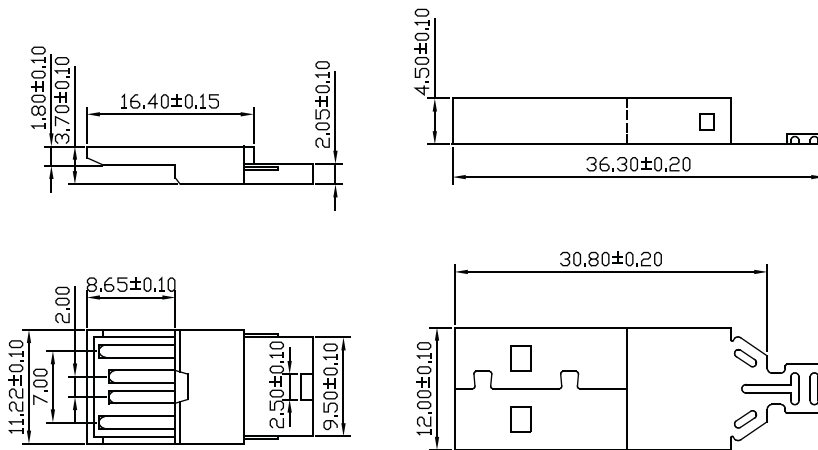


No.	Name	Q'ty	Material	Remarks & Thickness	Finish
1	Contact	4	Copper Alloy	T=0.25mm	Gold Flash all over
2	Housing	1	PBT	UL 94-V0	Ivory/Black

Part No.: **USB-FS-A** **-L**

B:Black W:White

USB Male Solder A Type



No.	Name	Q'ty	Material	Remarks & Thickness	Finish
1	Contact	4	Copper Alloy	T=0.25mm	Gold Flash all over
2	Housing	2	PBT	UL 94-V0	White / Black

Part No.: **USB-MSL-A** **-L**

B:Black W:White

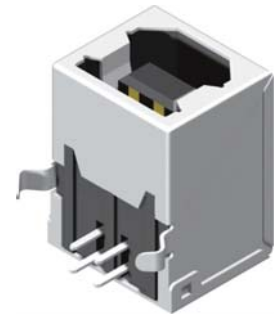
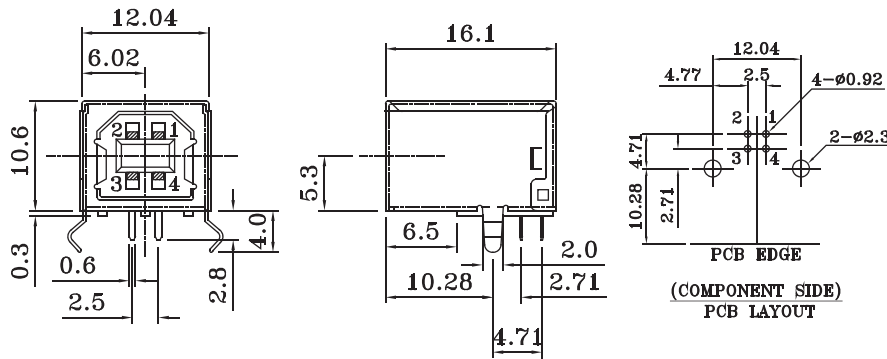
U SB Comm. Series



AMTEK CONNECTOR MANUFACTURER



USB Female Dip 90° B Type

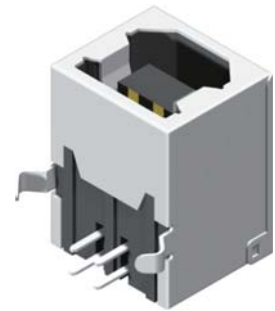
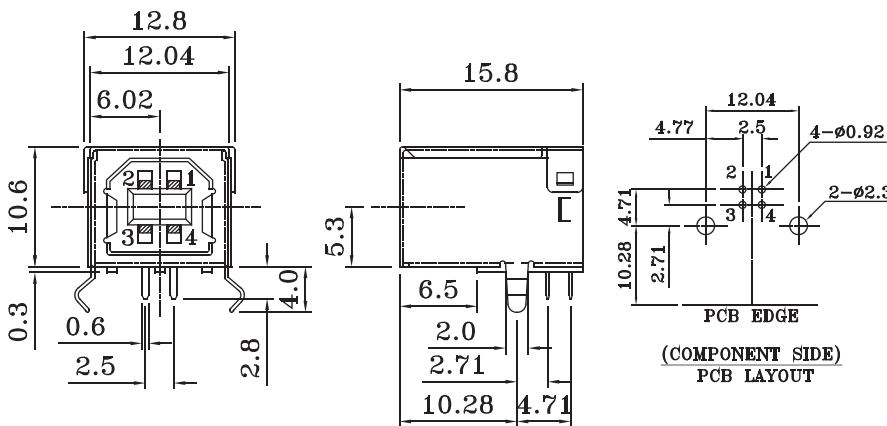


Part No.: USB-001-B -L

B:Black W:White

No.	Name	Qty	Material	Remarks & Thickness	Finish
1	Housing	1	PBT G.F.		White/Black
2	Pin Term.	4	Copper Alloy T:0.25	Ni:1-1.5u ; Tin:3u ; Gold:1-3u*	Gold/Tin Plated

USB Female Dip 90° B Type

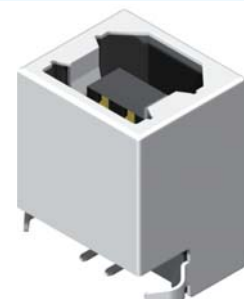
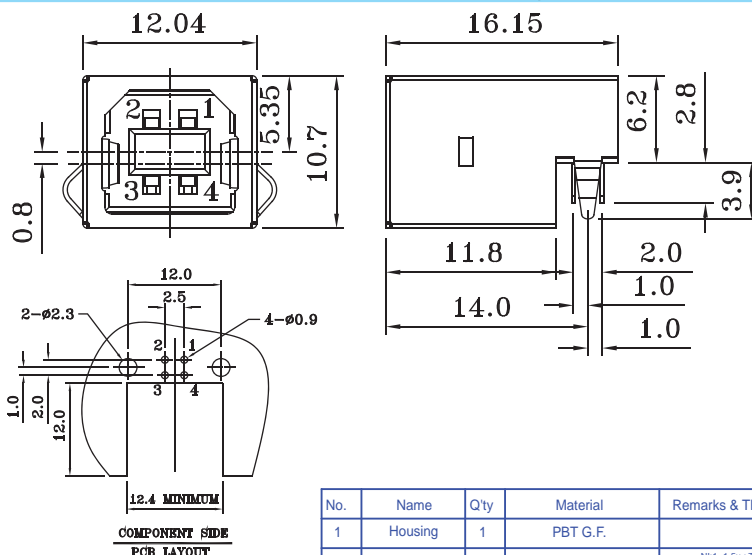


Part No.: USB-001F-B -L

B:Black W:White

No.	Name	Qty	Material	Remarks & Thickness	Finish
1	Housing	1	PBT G.F.		White/Black
2	Pin Term.	4	Copper Alloy T:0.25	Ni:1-1.5u ; Tin:3u ; Gold:1-3u*	Gold/Tin Plated
3	Shell	1	Brass T:0.3	Ni:2-3u	Nickel Plated

USB Female Dip 90° Flat B Type



Part No.: USB-001D-B -L

B:Black W:White

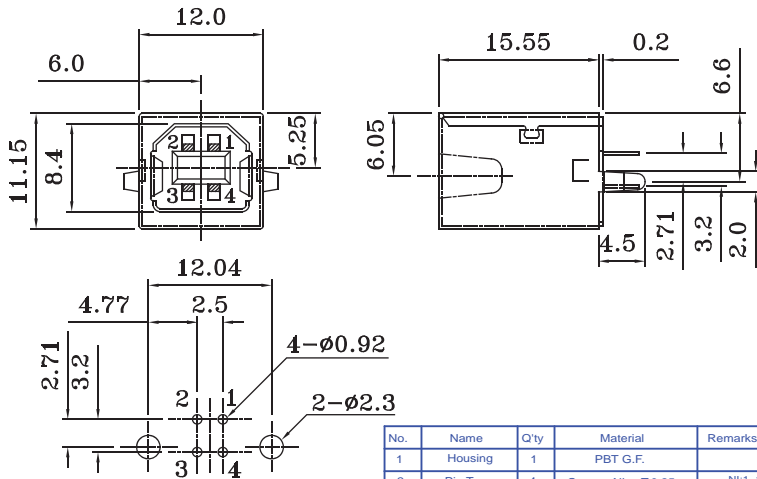
No.	Name	Qty	Material	Remarks & Thickness	Finish
1	Housing	1	PBT G.F.		White/Black
2	Pin Term.	4	Copper Alloy T:0.25	Ni:1-1.5u ; Tin:3u ; Gold:1-3u*	Gold/Tin Plated

U SB Conn. Series



ROHS

USB Female Dip 180° B Type



(COMPONENT SIDE)
PCB LAYOUT

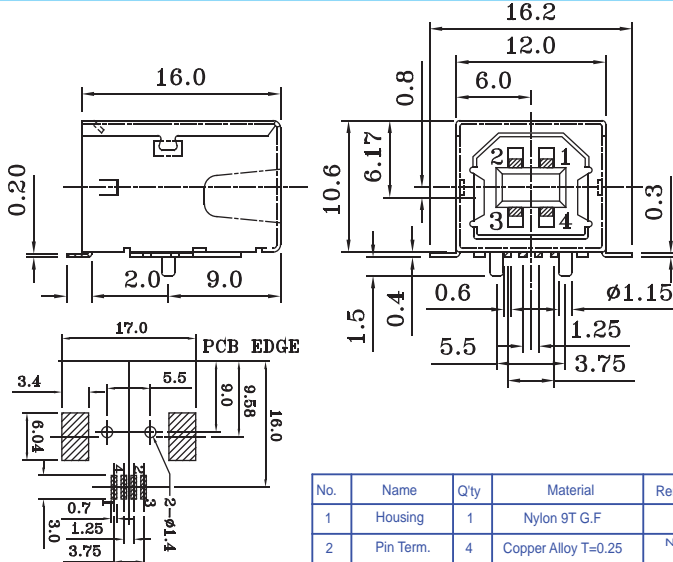
No.	Name	Q'ty	Material	Remarks & Thickness	Finish
1	Housing	1	PBT G.F.		White / Black
2	Pin Term.	4	Copper Alloy T:0.25	Ni:1-1.5u ; Tin:3u. Gold:1-3u*	Gold/Tin Plated
3	Bottom Cover	1	PBT G.F.		White / Black



Part No.:USB-001K-B -L

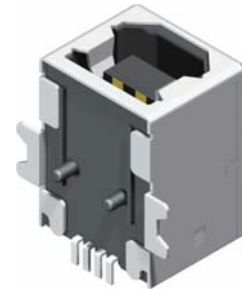
B:Black W:White

USB Female SMT 90° B Type



(COMPONENT SIDE)
PCB LAYOUT

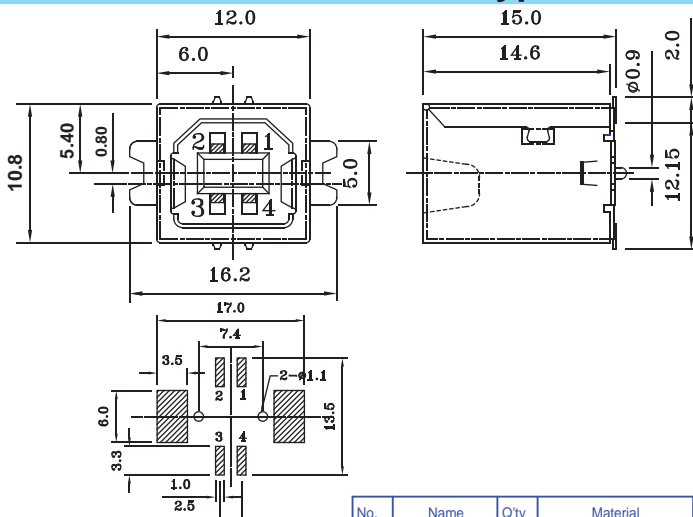
No.	Name	Q'ty	Material	Remarks & Thickness	Finish
1	Housing	1	Nylon 9T G.F.		White/Black
2	Pin Term.	4	Copper Alloy T=0.25	Ni:1-1.5u ; Tin:3u. Gold:1-3u*	Gold/Tin Plated



Part No.:USB-001H-B -U

B:Black W:White

USB Female SMT 180° B Type



(COMPONENT SIDE)
PCB LAYOUT

No.	Name	Q'ty	Material	Remarks & Thickness	Finish
1	Housing	1	Nylon 9T G.F.		White/Black
2	Pin Term.	4	Copper Alloy T=0.25	Ni:1-1.5u ; Tin:3u. Gold:1-3u*	Gold/Tin Plated

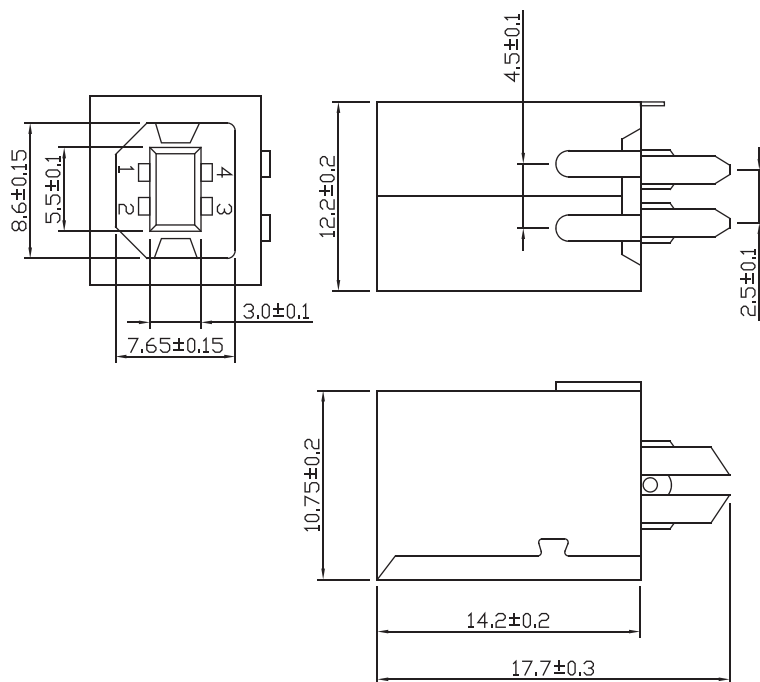


Part No.:USB-001KH-B -U

B:Black W:White



USB Female Solder B Type

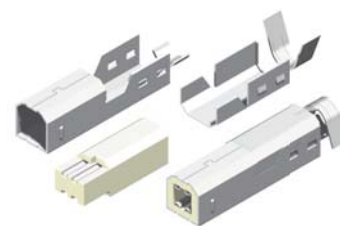
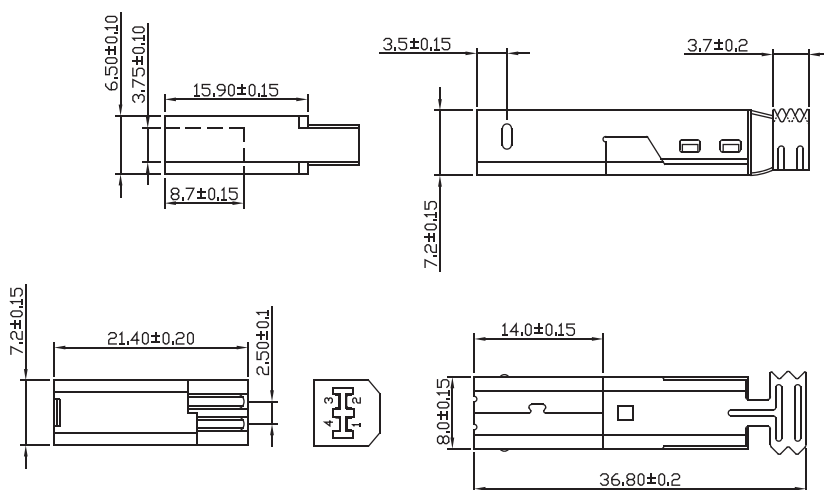


No.	Name	Q'ty	Material	Remarks & Thickness	Finish
1	Contact	4	Copper Alloy	T=0.25mm	Gold Flash all over
2	Housing	1	PBT	UL 94-V0	Black/Ivory

Part No.: **USB-FS-B**  **-L**

B:Black W:White

USB Male Solder B Type



No.	Name	Q'ty	Material	Remarks & Thickness	Finish
1	Contact	4	Copper Alloy	T=0.25mm	Gold Flash all over
2	Housing	1	PBT	UL 94-V0	Ivory

Part No.: **USB-MSL-BW-L**

W:White

U SB Comm. Series



ROHS

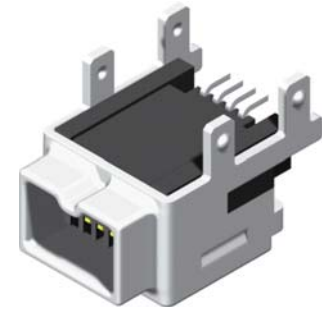
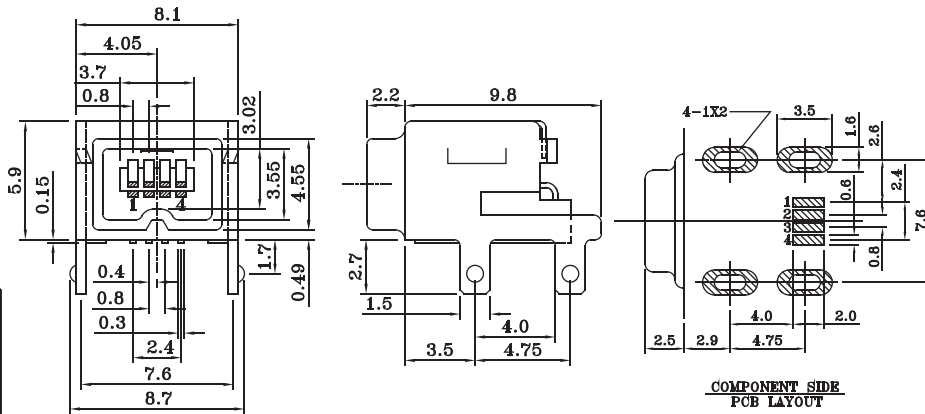
AMTEK COMMUNICATIONS MANUFACTURING

IEEE 1394

- 6-25 ▶ IEEE1394 Female SMT 90° 4P
- 6-25 ▶ IEEE1394 Female Dip 90° 4P
- 6-25 ▶ IEEE1394 Female Dip 90° 4P
- 6-26 ▶ IEEE1394 Female Dip 90° 4P
- 6-26 ▶ IEEE1394 Female SMT 90° 6P
- 6-26 ▶ IEEE1394 Female Dip 90° 6P
- 6-27 ▶ IEEE1394 Female Dip 90° 6P
- 6-27 ▶ IEEE1394 Female Upright 90° 6P
- 6-27 ▶ IEEE1394 Female Dip 180° 6P



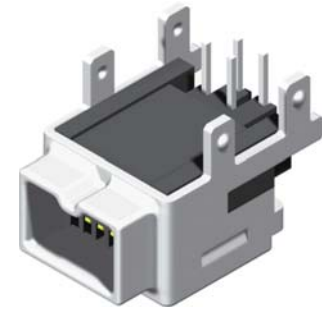
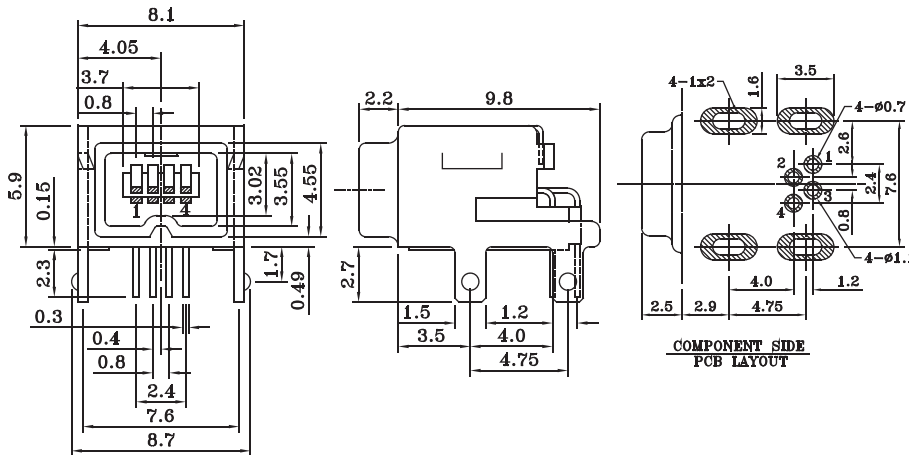
IEEE1394 Female SMT 90°4P



No.	Name	Q'ty	Material	Remarks & Thickness	Finish
1	Housing	1	Nylon 9T G.F		Black
2	Pin Term.	4	Phos. Bronze T=0.25	Gold:30u"; Ni:40-60u"; TIN:120u" (100% pure Tin of lead free plating)	Gold/Tin Plated
3	Front Shell	1	Steel T=0.5	Ni:2-3u	Nickel Plated
4	Rear Shell	1	Brass T=0.2	Ni:2-3u	Nickel Plated

Part No.:IEEE-1394MR-4-U

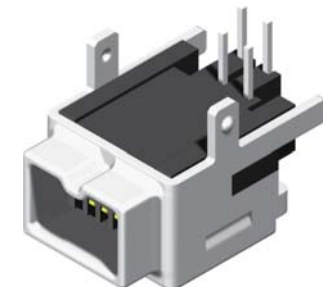
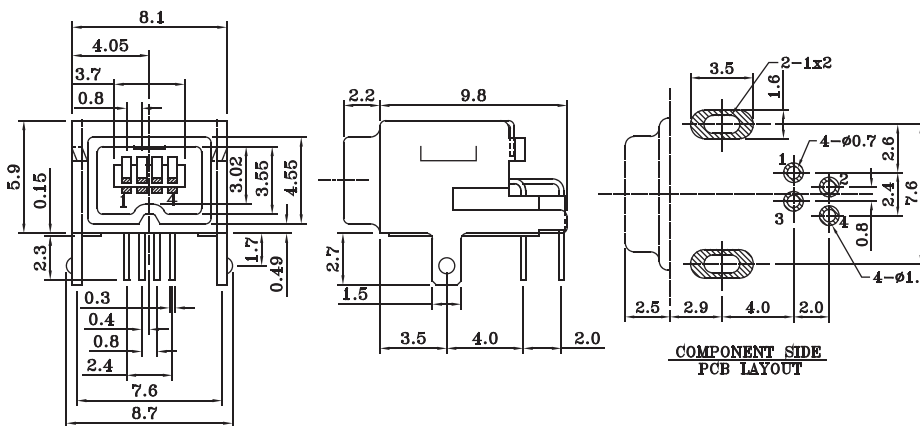
IEEE1394 Female Dip 90°4P



No.	Name	Q'ty	Material	Remarks & Thickness	Finish
1	Housing	1	Nylon 9T G.F		Black
2	Pin Term.	4	Phos. Bronze T=0.25	Gold:30u"; Ni:40-60u"; TIN:120u" (100% pure Tin of lead free plating)	Gold/Tin Plated
3	Front Shell	1	Steel T=0.5	Ni:2-3u	Nickel Plated
4	Rear Shell	1	Brass T=0.2	Ni:2-3u	Nickel Plated

Part No.:IEEE-1394R-4S-U

IEEE1394 Female Dip 90°4P



No.	Name	Q'ty	Material	Remarks & Thickness	Finish
1	Housing	1	Nylon 9T G.F		Black
2	Pin Term.	4	Phos. Bronze T=0.25	Gold:30u"; Ni:40-60u"; TIN:120u" (100% pure Tin of lead free plating)	Gold/Tin Plated
3	Front Shell	1	Steel T=0.5	Ni:2-3u	Nickel Plated
4	Rear Shell	1	Brass T=0.2	Ni:2-3u	Nickel Plated

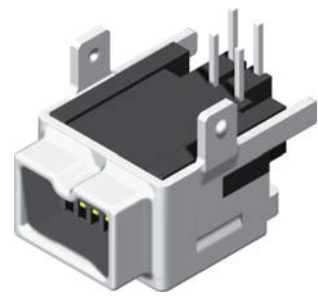
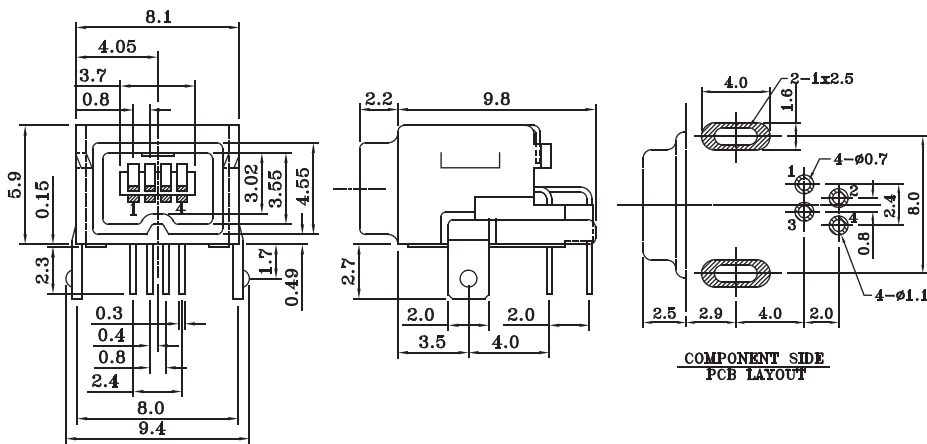
Part No.:IEEE-1394R-4L1-U

IEEE1394 Conn. Series



RoHS

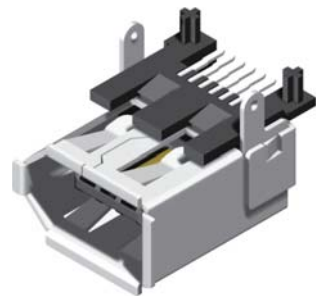
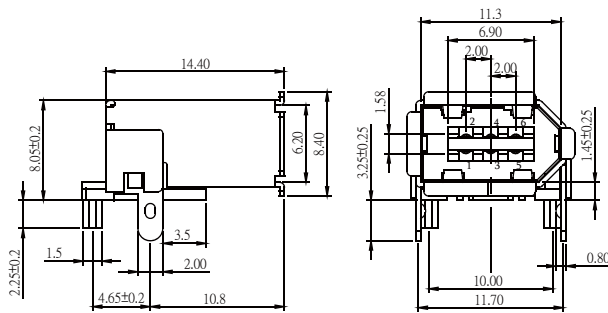
IEEE1394 Female Dip 90°4P



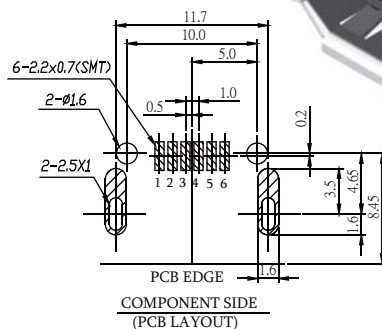
No.	Name	Qty	Material	Remarks & Thickness	Finish
1	Housing	1	Nylon 9T G.F		Black
2	Pin Term.	4	Phos. Bronze T=0.25	Gold:30u"; Ni:40-60u"; TIN:120u" (100% pure Tin of lead free plating)	Gold/Tin Plated
3	Front Shell	1	Steel T=0.5	Ni:2-3u	Nickel Plated
4	Rear Shell	1	Brass T=0.2	Ni:2-3u	Nickel Plated

Part No.:IEEE-1394R-4L2-U

IEEE1394 Female SMT 90°6P

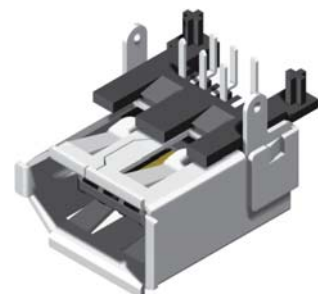
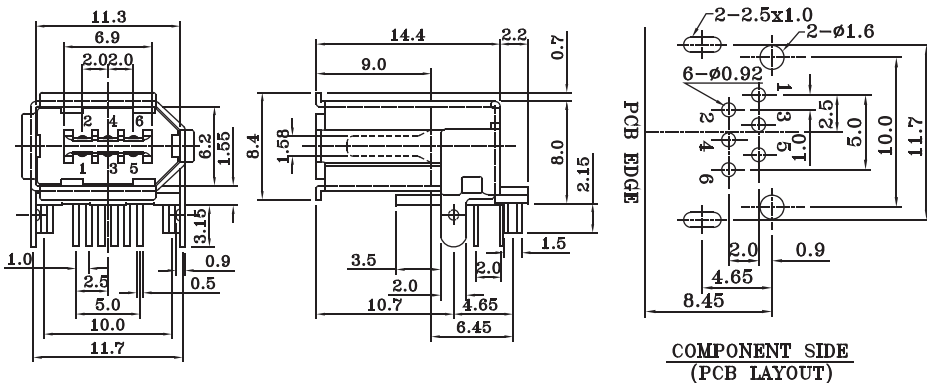


No.	Name	Qty	Material	Remarks & Thickness	Finish
1	Housing	1	Nylon 9T G.F		Black
2	Pin Terminal	6	Brass T=0.25	Gold:30u"; Ni:40-60u"; TIN:120u" (100% pure Tin of lead free plating)	Gold/Tin Plated
3	Shell	1	Brass T=0.4		Nickel Plated



Part No.:IEEE-1394MR-6-U

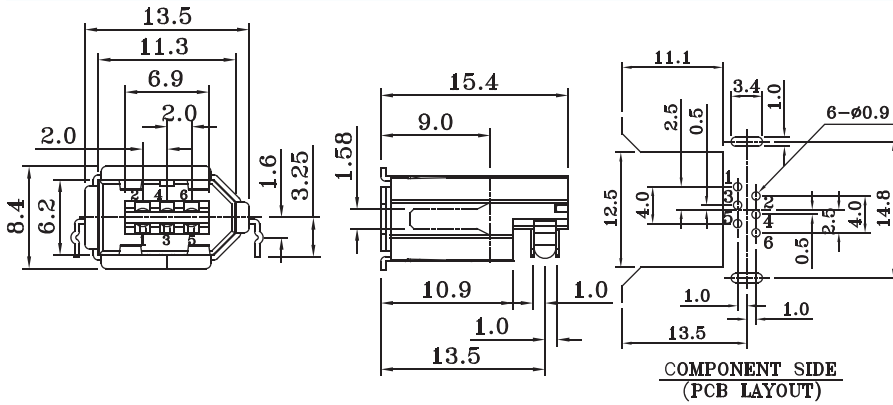
IEEE1394 Female Dip 90°6P



No.	Name	Qty	Material	Remarks & Thickness	Finish
1	Housing	1	P.B.T		Black
2	Pin Terminal	6	Brass T=0.25	Gold:30u"; Ni:40-60u"; TIN:120u" (100% pure Tin of lead free plating)	Gold/Tin Plated
3	Shell	1	Brass T=0.4		Nickel Plated

Part No.:IEEE-1394R-6-L

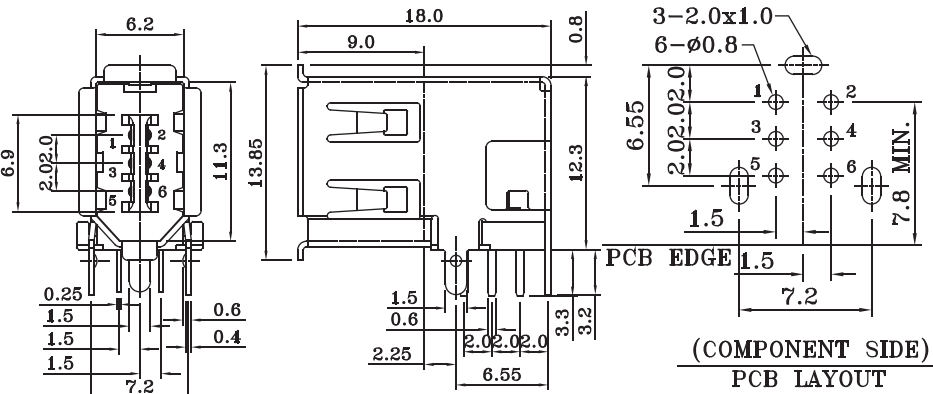
IEEE1394 Female Dip 90° 6P



No.	Name	Q'ty	Material	Remarks & Thickness	Finish
1	Housing	1	P.B.T		Black
2	Pin Terminal	6	Brass T=0.25	Gold:30u"; Ni:40-60u"; TIN:120u" (100% pure Tin of lead free plating)	Gold/Tin Plated
3	Shell	1	Brass T=0.4		Nickel Plated

Part No.:IEEE-1394RA-6-L

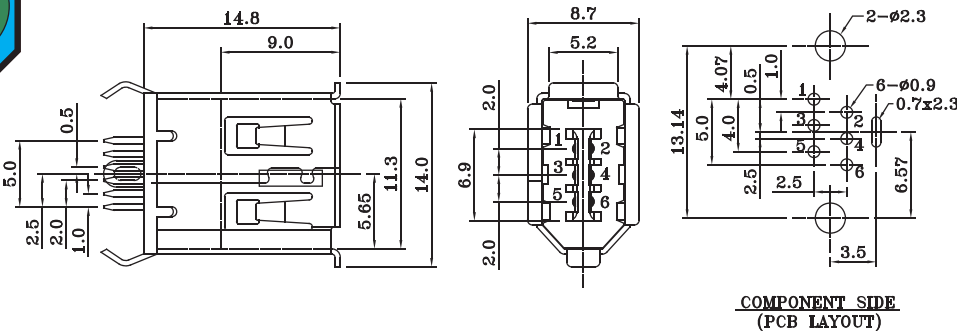
IEEE1394 Female Upright 90° 6P



No.	Name	Q'ty	Material	Remarks & Thickness	Finish
1	Housing	1	PBT		Black
2	Pin Terminal	6	Brass T=0.25	Gold:30u"; Ni:40-60u"; TIN:120u" (100% pure Tin of lead free plating)	Gold/Tin Plated
3	Shell	1	Brass T=0.4		Nickel Plated
4	Bottom Cover	1	PBT		Black

Part No.:IEEE-1394U-6-L

IEEE1394 Female Dip 180° 6P



No.	Name	Qty	Material	Remarks & Thickness	Finish
1	Housing	1	PBT		Black
2	Pin Terminal	6	Brass T=0.25	Gold:30u"; Ni:40-60u"; TIN:120u" (100% pure Tin of lead free plating)	Gold/Tin Plated
3	Shell	1	Brass T=0.4		Nickel Plated
4	Bottom Cover	1	PBT		Black

Part No.:IEEE-1394S-6-L

IEEE1394 Conn. Series



ROHS

AMTEK CONNECTOR MANUFACTURER

MDJ

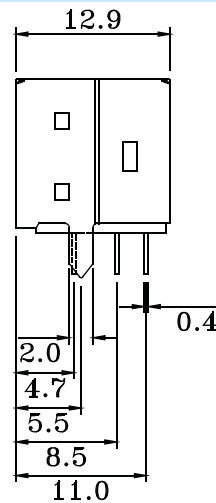
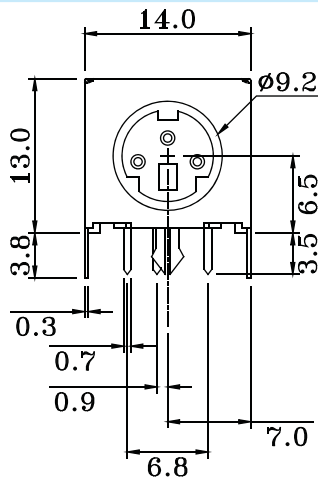
- 6-28 ▶ Mini Din Jack Shielded 3~9Pin
- 6-29 ▶ Mini Din Jack Shielded With Grounding 3~9Pin
- 6-30 ▶ Mini Din Jack Side Shielded Fork Type 3~9Pin
- 6-31 ▶ Mini Din Jack Plastic Fork Type 3~9Pin
- 6-32 ▶ Mini Din Jack Plastic 180° 3~8Pin
- 6-33 ▶ Mini Din Jack Shielded 7Pin
- 6-33 ▶ Mini Din Jack Shielded With Grounding 7Pin
- 6-33 ▶ Mini Din Jack Shielded 9Pin
- 6-34 ▶ Mini Din Jack Shielded With Grounding 9Pin
- 6-34 ▶ Mini Din Jack Shielded 10Pin
- 6-34 ▶ Mini Din Jack Shielded With Grounding 10Pin
- 6-35 ▶ Mini Din Jack Dual Port Green/Purple 6Pin
- 6-35 ▶ Mini Din Jack Dual Port Green/Purple 6Pin With Grounding

DIN JACK & DIN PLUG

- 6-36 ▶ Din Jack Molded Type 3~8Pin
- 6-36 ▶ Din Plug Molded Type 3~8Pin
- 6-37 ▶ Mini Din Plug Molded Type 3~8Pin Long Shell
- 6-37 ▶ Mini Din Plug Molded Type 9Pin Long Shell
- 6-38 ▶ Mini Din Plug Molded Type 3~8Pin Short Shell
- 6-38 ▶ Mini Din Plug Molded Type 9Pin Short Shell
- 6-38 ▶ Mini Din Jack Molded Type 3~8Pin
- 6-39 ▶ Mini Din Jack Molded Type 9Pin
- 6-39 ▶ Mini Din Jack Assembly Type 3~8Pin
- 6-39 ▶ Mini Din Plug Assembly Type 3~8Pin



Mini Din Jack Shielded 3~9Pin



Part No.: MDJ-508B--L
3~9 PORTS

No.	Name	Q'ty	Material	Remarks & Thickness	Finish
1	Housing	1	PBT		Black
2	Contact	3~9	Phos. Bronze	Ni:1~5u ; Tin:3u. Gold:1~3u*	Gold/Tin Plated
3	Shield	1	Copper Alloy	Tin:3~5u	Tin Plated
4	Back Cover	1	PBT		Black

Add Shell Part No.	3 Port MDJ-508B-3-L	4 Port MDJ-508B-4-L	5 Port MDJ-508B-5-L	6 Port MDJ-508B-6-L
Housing Contacts				
Recommended PCB Layout Bottom View				
Add Shell Part No.	7 Port MDJ-508B-7-L	8 Port MDJ-508B-8-L	9 Port MDJ-508B-9-L	
Housing Contacts				
Recommended PCB Layout Bottom View				

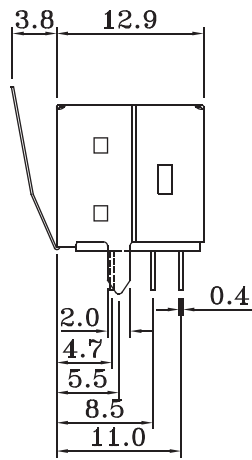
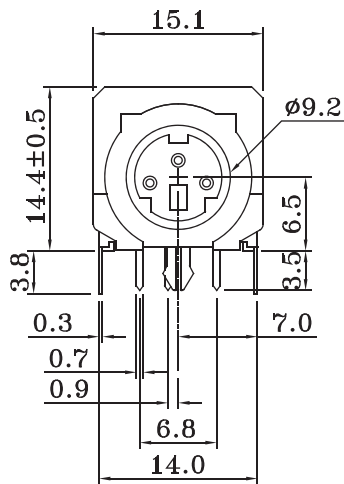
Mini Din Jack



ROHS

AMTEK CONNECTOR MANUFACTURER

Mini Din Jack Shielded With Grounding 3~9Pin

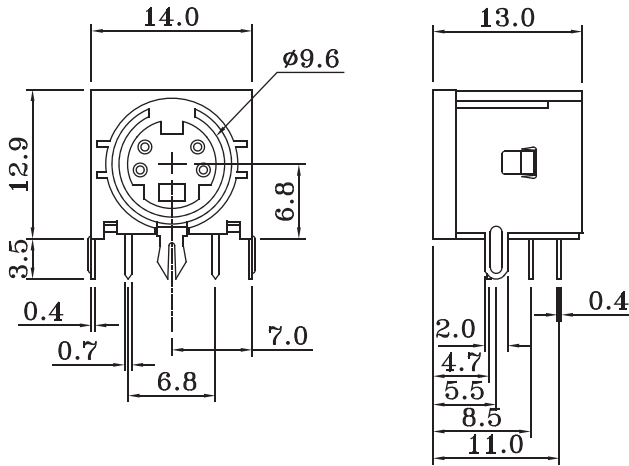


Part No.: MDJ-508BS--L
3~9 PORTS

No.	Name	Q'ty	Material	Remarks & Thickness	Finish
1	Housing	1	PBT		Black
2	Contact	3~9	Phos. Bronze	NI:1-5u ; Tin:3u Gold:1-3u*	Gold/Tin Plated
3	Shield	1	Brass	Tin:3-5u	Tin Plated
4	Back Cover	1	PBT		Black
5	Ground Shield	1	Stainless		0.2 THK

Add Shell Part No.	3 Port MDJ-508BS-3-L	4 Port MDJ-508BS-4-L	5 Port MDJ-508BS-5-L	6 Port MDJ-508BS-6-L
Housing Contacts				
Recommended PCB Layout Bottom View				
Add Shell Part No.	7 Port MDJ-508BS-7-L	8 Port MDJ-508BS-8-L	9 Port MDJ-508BS-9-L	
Housing Contacts				
Recommended PCB Layout Bottom View				

Mini Din Jack Side Shielded Fork Type 3~9Pin



Part No.: MDJ-508D-A-L
3~9 PORTS

No.	Name	Q'ty	Material	Remarks & Thickness	Finish
1	Housing	1	PBT		Black
2	Contact	3~9	Phos. Bronze	Ni:1-5u ; Tin:3u Gold:1-3u*	Gold/Tin Plated
3	Ground	1	Brass	Tin:3-5u	Tin Plated
4	Back Cover	1	PBT		Black
5	Shield	1	Mild Steel	Tin:3-5u	Tin Plated

Add Shell Part No.	3 Port MDJ-508D-3A-L	4 Port MDJ-508D-4A-L	5 Port MDJ-508D-5A-L	6 Port MDJ-508D-6A-L
Housing Contacts				
Recommended PCB Layout Bottom View				
Add Shell Part No.	7 Port MDJ-508D-7A-L	8 Port MDJ-508D-8A-L	9 Port MDJ-508D-9A-L	
Housing Contacts				
Recommended PCB Layout Bottom View				

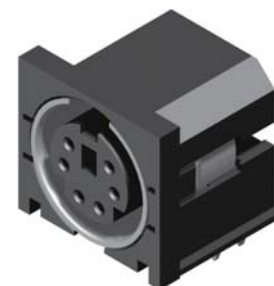
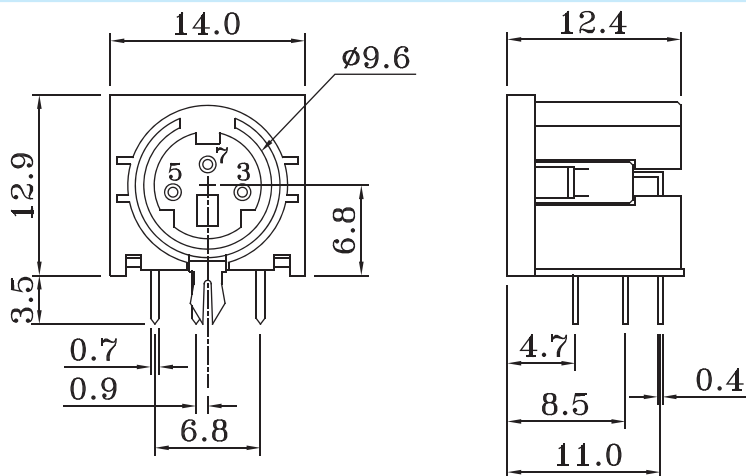
Mini Din Jack

Pb

ROHS

AMTEK CONNECTOR MANUFACTURER

Mini Din Jack Plastic Fork Type 3~9Pin

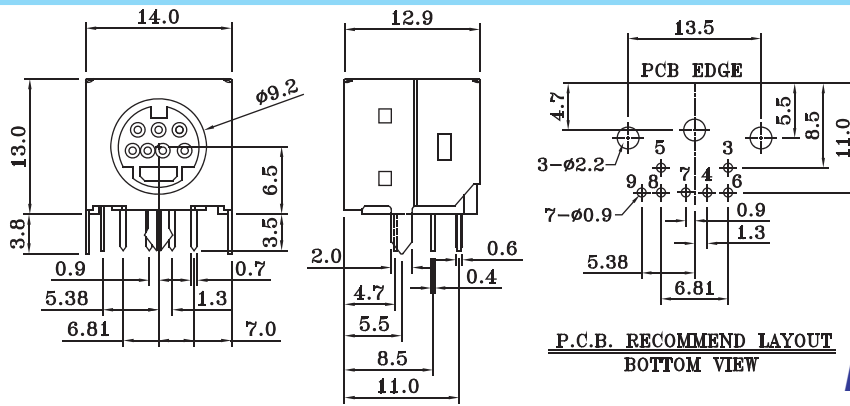


Part No.: MDJ-508E-A-L
3~9 PORTS

No.	Name	Q'ty	Material	Remarks & Thickness	Finish
1	Housing	1	PBT		Black
2	Contact	3~9	Phos. Bronze	Ni:1-5u ; Tin:3u Gold:1~3u*	Gold/Tin Plated
3	Ground	1	Brass	Tin:3~5u	Tin Plated
4	Back Cover	1	PBT		Black

Add Shell Part No.	3 Port MDJ-508E-3A-L	4 Port MDJ-508E-4A-L	5 Port MDJ-508E-5A-L	6 Port MDJ-508E-6A-L
Housing Contacts				
Recommended PCB Layout Bottom View				
Add Shell Part No.	7 Port MDJ-508E-7A-L	8 Port MDJ-508E-8A-L	9 Port MDJ-508E-9A-L	
Housing Contacts				
Recommended PCB Layout Bottom View				

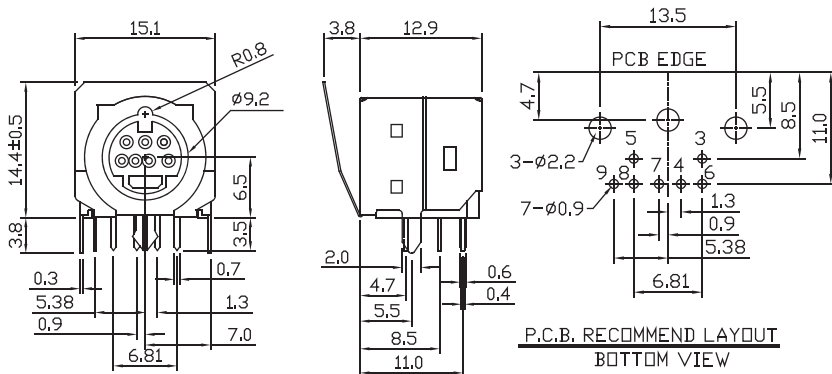
Mini Din Jack Shielded 7Pin



Part No.:MDJ-508R-7-L

No.	Name	Qty	Material	Remarks & Thickness	Finish
1	Housing	1	PBT G.F.		Black
2	Contact	7	Phos. Bronze	Gold:1~3u",Ni:40~60u", Tin:120u"	Gold/Tin Plated
3	Shield	1	Copper Alloy	Tin:3~5"	Tin Plated
4	Bottom Cover	1	PBT G.F.		Black

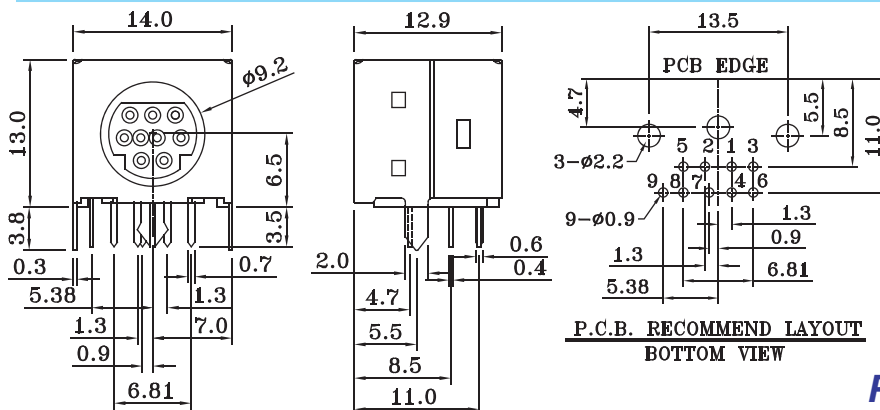
Mini Din Jack Shielded With Grounding 7Pin



Part No.:MDJ-508RLS-7S-L

No.	Name	Qty	Material	Remarks & Thickness	Finish
1	Housing	1	PBT G.F.		Black
2	Contact	7	Phos. Bronze T=0.2	Gold:1~3u",Ni:40~60u", Tin:120u"	Gold/Tin Plated
3	Shield	1	Brass T=0.3	Tin:120~200u"	Tin Plated
4	Bottom Cover	1	PBT G.F.		Black
5	Spring Shield	1	Stainless T=0.2		

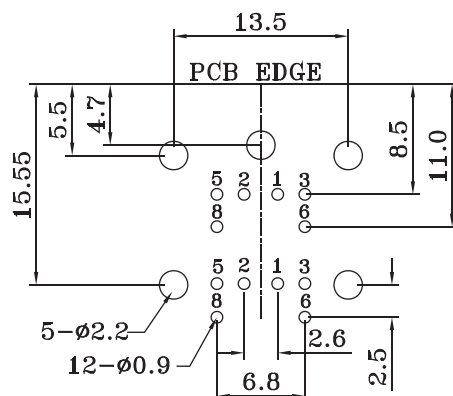
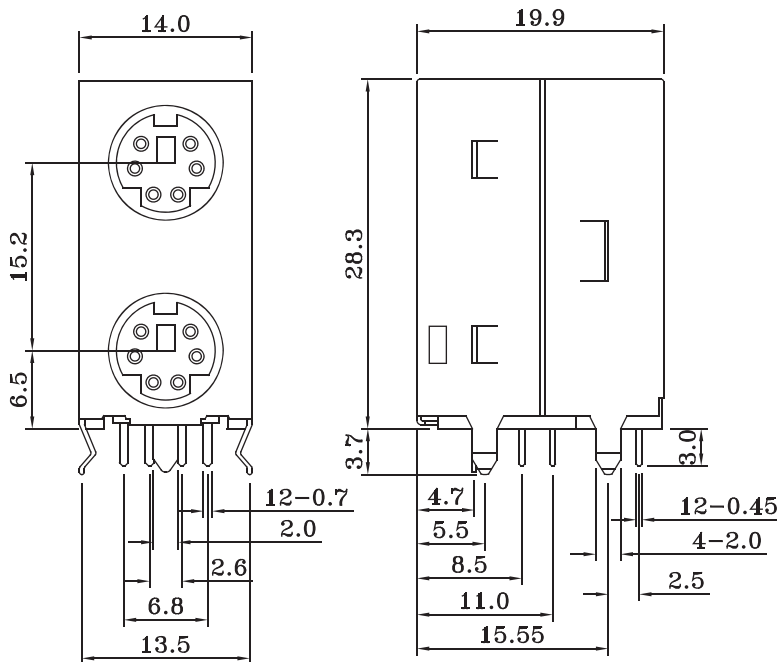
Mini Din Jack Shielded 9Pin



Part No.:MDJ-508H-9-L

No.	Name	Qty	Material	Remarks & Thickness	Finish
1	Housing	1	PBT		Black
2	Contact	9	Phos. Bronze	Ni:1~5u ; Tin:3u. Gold:1~3u"	Gold/Tin Plated
3	Shield	1	Copper Alloy	Tin:3~5u"	Tin Plated
4	Back Cover	1	PBT		Black

Mini Din Jack Dual Port Green/Purple 6Pin

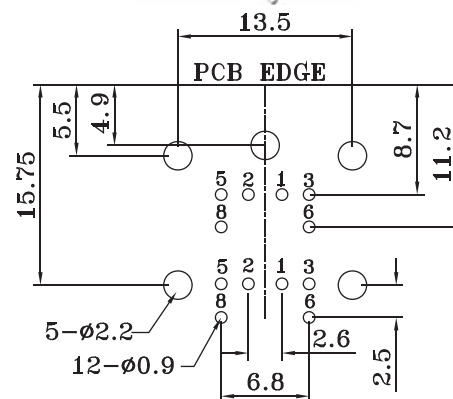
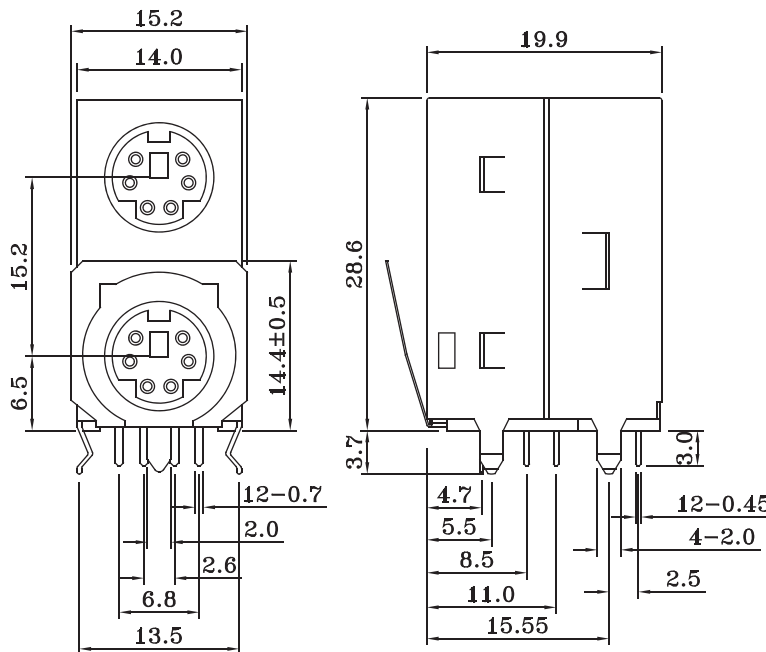


No.	Name	Qty	Material	Remarks & Thickness	Finish
1	Top Housing	1	PBT		Green,3395C
2	Bottom Housing	1	PBT		Purple,2715C
3	Back Cover	1	PBT		Purple,2715C
4	Contact Term.	12	Phos. Bronze	Ni-1-5u; Tin-3u; Gold-1-3u	Gold/Tin Plated
5	Front Shield	1	Brass	Tin:3-5u	Tin Plated
6	Back Shiled	1	Brass	Tin:3-5u	Tin Plated

PCB LAYOUT
(BOTTOM VIEW)

Part No.:MDJ-608E-6A-L

Mini Din Jack Dual Port Green/Purple 6Pin With Grounding

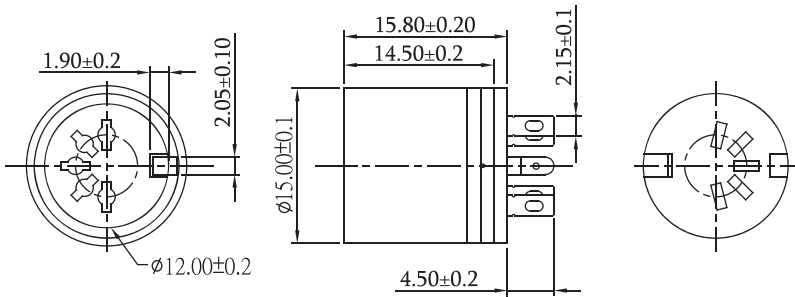


No.	Name	Qty	Material	Remarks & Thickness	Finish
1	Top Housing	1	PBT		Green,3395C
2	Bottom Housing	1	PBT		Purple,2715C
3	Back Cover	1	PBT		Purple,2715C
4	Contact Term.	12	Phos. Bronze	Ni-1-5u; Tin-3u; Gold-1-3u	Gold/Tin Plated
5	Front Shield	1	Brass	Tin:3-5u	Tin Plated
6	Back Shiled	1	Brass	Tin:3-5u	Tin Plated
7	Ground Shiled	1	Stainless		0.2 THK

PCB LAYOUT
(BOTTOM VIEW)

Part No.:MDJ-608ES-6A-L

Din Jack Molded Type 3~8Pin

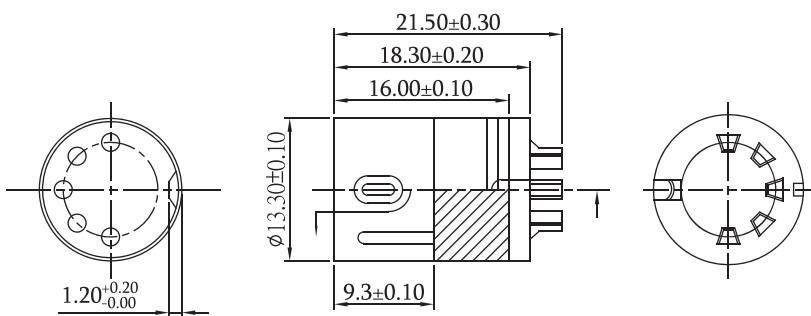


Part No.: DINM-F TB-L
3~8 PORTS

No. of Contacts	3(180°)	4(210°)	5(180°)	6(240°)	7(270°)	8(270°)
Position						

No.	Name	Qty	Material	Remarks & Thickness	Finish
1	Shell	1	Copper Alloy	T=0.40mm	Nickel Plated
2	Contact	3~8	Copper Alloy	T=0.60mm	Tin Plated
3	Housing	1	PBT	UL 94-V0	Black/Ivory/Gray
4	Grounding Strip	2	Stainless	T=0.20mm	Tin Plated

Din Plug Molded Type 3~8Pin



Part No.: DINM-M SB-L
3~8 PORTS

No. of Contacts	3(180°)	4(210°)	5(180°)	6(240°)	7(270°)	8(270°)
Position						

No.	Name	Qty	Material	Remarks & Thickness	Finish
1	Contact	3~8	Copper Alloy	T=0.20mm	Selective
2	Housing	1	PBT	UL 94-V0	Black
3	Shell	1	Copper Alloy	T=0.40mm	Nickel Plated

Mini Din Plug Molded Type 3~8Pin Long Shell

Part No.: MDML-M **B-L**

3~8 PORTS

S: Selective
T: Tin Plated

No. of Contacts	3	4	5	6	7	8
Position						

No.	Name	Q'ty	Material	Remarks & Thickness	Finish
1	Contact	3~8	Copper Alloy	T=0.60mm	Selective/Tin
2	Housing	1	PBT	UL 94-V0	Black
3	Shell	1	Copper Alloy	T=0.40mm	Nickel Plated

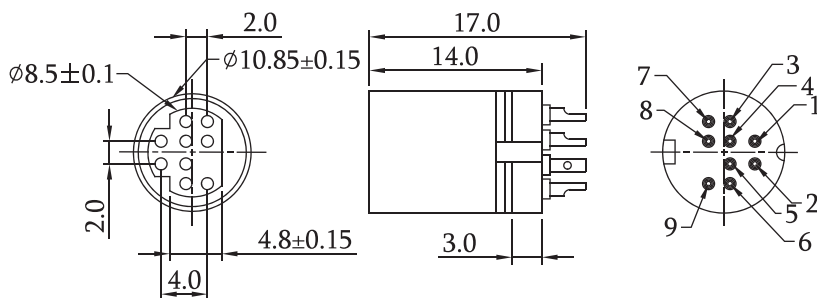
Mini Din Plug Molded Type 9Pin Long Shell

Part No.: MDML-M09 **B-L**

S: Selective
T: Tin Plated

No.	Name	Q'ty	Material	Remarks & Thickness	Finish
1	Contact	9	Copper Alloy	T=0.60mm	Selective/Tin
2	Housing	1	PBT	UL 94-V0	Black
3	Shell	1	Copper Alloy	T=0.40mm	Nickel Plated

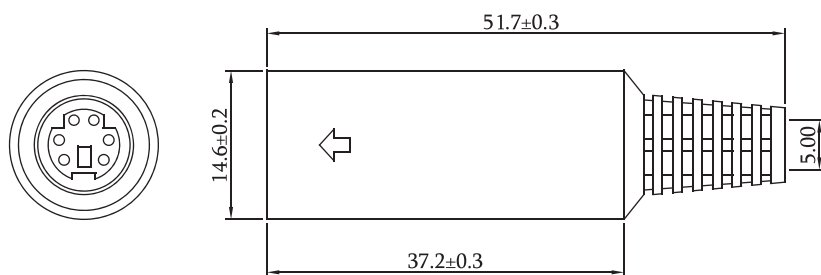
Mini Din Jack Molded Type 9Pin



Part No.:MDM-F09SB-L

No.	Name	Q'ty	Material	Remarks & Thickness	Finish
1	Contact	9	Copper Alloy	T=0.60mm	Selective
2	Housing	1	PBT	UL 94-V0	Black
3	Shell	1	Copper Alloy	T=0.40mm	Nickel Plated

Mini Din Jack Assembly Type 3~8Pin

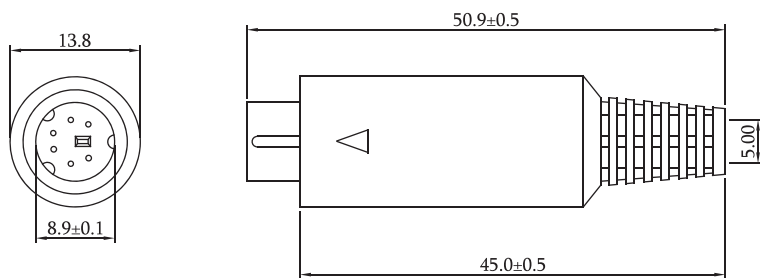


Part No.:MDA-F SB-L
3~8 PORTS

No. of Contacts	3	4	5	6	7	8
Position						

No.	Name	Q'ty	Material	Remarks & Thickness	Finish
1	Contact	3-8	Copper Alloy	T=0.20mm	Selective
2	Housing	1	PBT	UL 94-V0	Black
3	Shell	1	Copper Alloy	T=0.40mm	Nickel Plated

Mini Din Plug Assembly Type 3~8Pin



Part No.:MDA-M SB-L
3~8 PORTS

No. of Contacts	3	4	5	6	7	8
Position						

No.	Name	Q'ty	Material	Remarks & Thickness	Finish
1	Contact	3-8	Copper Alloy	T=0.20mm	Selective
2	Housing	1	PBT	UL 94-V0	Black
3	Shell	1	Copper Alloy	T=0.40mm	Nickel Plated