



TAC8025 Series

Size: 3.15 in sq. x 1.0 in. thk
(80mm sq. x 25mm thk.)

Airflow: 18 - 23 CFM

Acoustical Noise: 29 - 33 dB (A)

MATERIAL: Frame - Aluminum Alloy, Painted Black Finish
Bearings - Sealed Ball
Impeller - UL94V-0 Plastic

WEIGHT: 8.1 oz. (230g)

TERMINATION: Lead wires (Terminals not available)

OPERATION TEMPERATURE: -20° to +80° C

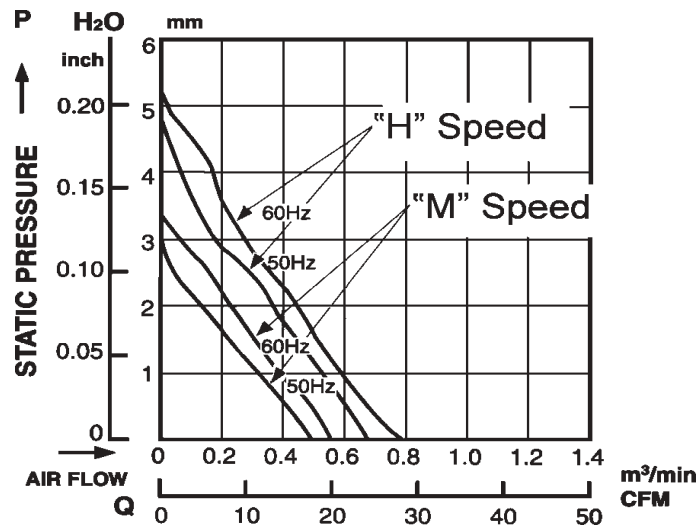
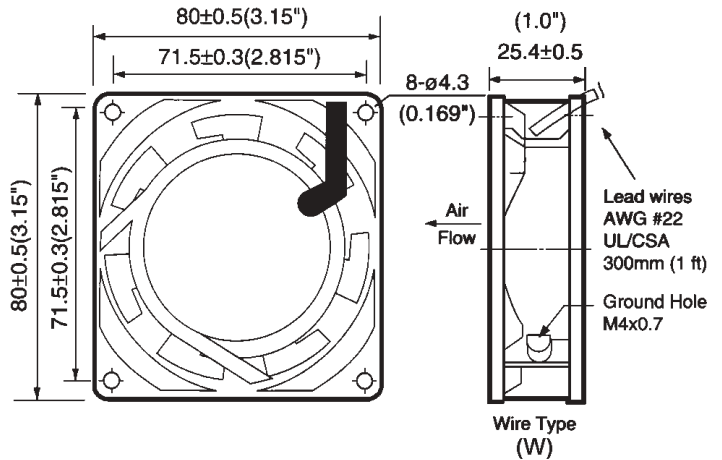
INSULATION RESISTANCE: 10 Megohms min @ 500 VDC

DIELECTRIC STRENGTH: 1,500 VAC for 1 min.

INSULATION: Class B

SAFETY: Impedance Protected

SAFETY APPROVALS: UL 106227 & CSA LR702499 (Applies to single voltage models only)
CE (Applies to 230V models only)



SPECIFICATIONS: (Based on 60 Hz Frequency)

PART NUMBER	VOLTS	WATTS	mAMPS	RPM	NOISE dB (A) @ 1M	CFM
TAC8025115HW	115	14.0	170	2800	33	23
TAC8025115MW	115	10.0	100	2500	29	18
TAC8025230HW	230	14.0	100	2800	33	23
TAC8025230MW	230	10.0	80	2500	29	18
TAC8025345HW	115 / 230	14.0	170 / 100	2800	33	23

NOTE: Standard models with wire leads. (Terminals not available)