

FEATURES:

- The thinnest axial fan available - .787" (20mm) thick
- High Performance
- Low noise level
- Precision ball bearings provide long service life
- Durable die cast aluminum frame
- Choice of 115VAC or 230 VAC
- Impedance protected
- U.L. recognized - File Number E75082
- CSA certified - File Number 48371M2

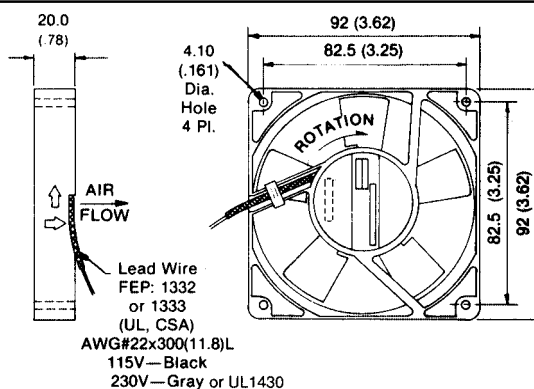


MATERIAL: Frame - Die Cast Aluminum
 Black paint finish
 Impeller - Black polycarbonate
 Bearings- Ball bearings

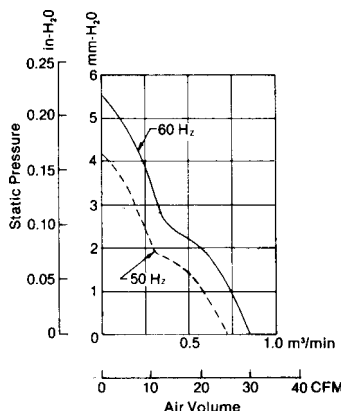
WEIGHT: 0.24kg (8.5 ounces)

DIMENSIONS: Millimeters (inches)

TOLERANCES: Millimeters - .x = ± .05, .xx = ± 0.3
 (Inches) --.xx = ± .02, .xxx = ± .010



PERFORMANCE CURVES: (Obtained with test chamber and methods in accordance with AMCA Std. 210-74)



PART NUMBERS AND SPECIFICATIONS:

PART NUMBERS	VOLTAGE VAC	FREQ. Hz	INPUT POWER W	RPM	AIRFLOW		NOISE dB(A)	
					CFM	M ³ /MIN	@ 1.0m	@ 1.5m
TF92115FXAW	115	50 / 60	9 / 8	2550 / 3000	25 / 30	0.71 / 0.85	35 /	32 / 36
TF92230TXAW	230		12 / 11				38.5	



U.S. TOYO FAN CORPORATION

4915 Walnut Grove Ave.
 San Gabriel, California 91776

(626) 287-5297

FAX (626) 287-7350

www.ustoyofan.com

E-mail: sales@ustoyofan.com