



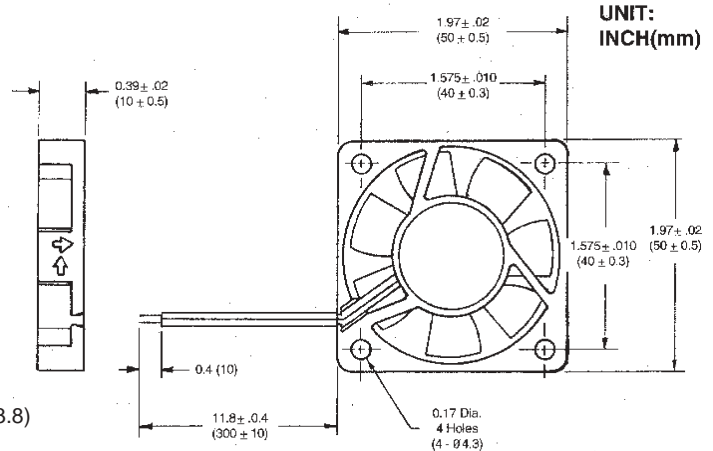
USTF5010 Series

Size: 1.97 in sq. x 0.39 in. thk
(50mm sq. x 10mm thk.)

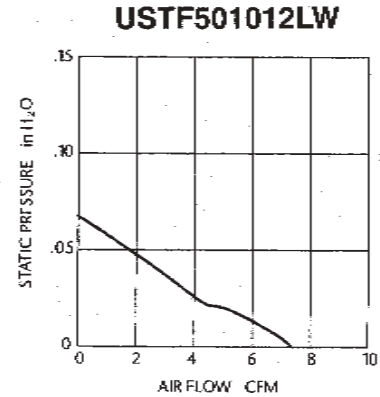
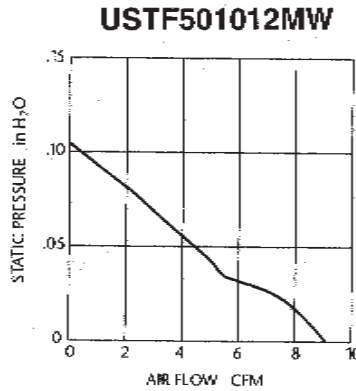
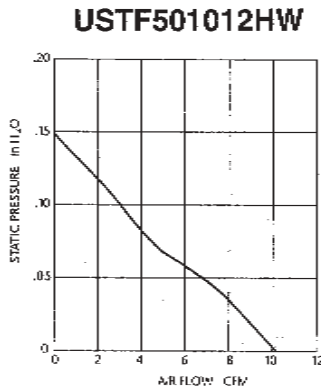
Airflow: 7.33 - 10.2 CFM

Acoustical Noise: 26 - 34 dB (A)

- MATERIAL:** Frame - Black PBT (UL 94V-0)
Bearings - Ball
Impeller - Black PBT (UL 94V-0)
- WEIGHT:** 1.03 oz. (29g)
- TERMINATION:** Lead Wires (UL 1007, AWG24)
- OPERATION TEMPERATURE:** -10° to +70° C
- INSULATION RESISTANCE:** 10 megohms min @ 500 VDC
- DIELECTRIC STRENGTH:** 500 VAC for 1 min.
- INSULATION:** Class A
- SAFETY:** Impedance & Polarity Protected
- SAFETY APPROVALS:** UL, CSA & VDE
- OPERATING VOLTAGE:** 5 VCD (4.5 TO 5.5) - 12 VDC (9.5 to 13.8)



PERFORMANCE CURVES: (Obtained with test chamber and methods in accordance with AMCA Std. 210-74)



SPECIFICATIONS: (All values are typical)

PART NUMBER	VOLTS	WATTS	AMPS	RPM	NOISE dB (A) @ 1M	CFM
USTF501005HW	5VDC	0.85	0.17	6000	34.0	10.2
USTF501005MW	5VDC	0.60	0.12	5000	29.0	9.16
USTF501005LW	5VDC	0.40	0.80	4000	26.0	7.33
USTF501012HW	12VDC	1.32	0.11	6000	34.0	10.2
USTF501012MW	12VDC	1.20	0.10	5000	29.0	9.16
USTF501012LW	12VDC	0.72	0.06	4000	26.0	7.33

MODELS AVAILABLE ON REQUEST:

Failure Detector - rotation sensing - Add Suffix "SR" to part number
Speed Controller - tach output - Add Suffix "SF" to part number