



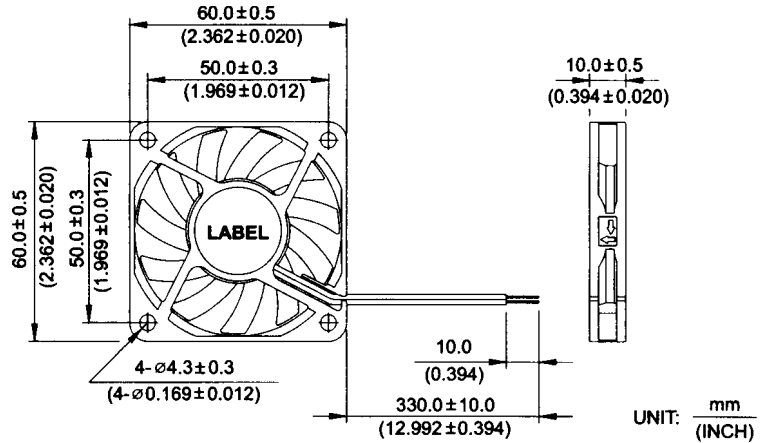
USTF6010 Series

Size: 2.36 in sq. x 0.39 in. thk
(60mm sq. x 10mm thk.)

Airflow: 13.4 - 21.2 CFM

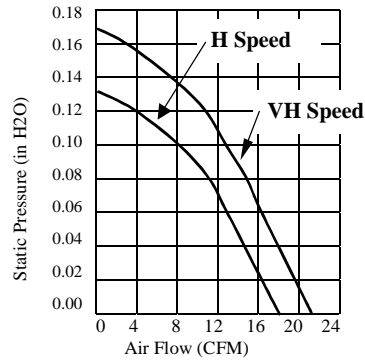
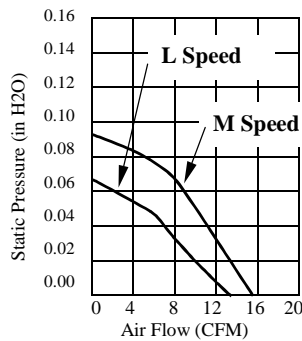
Acoustical Noise: 24.5 - 36.5 dB (A)

- MATERIAL:** Frame - Black PBT (UL 94V-0)
Bearings - Ball
Impeller - Black PBT (UL 94V-0)
- WEIGHT:** 0.99 oz. (28g)
- TERMINATION:** Lead Wires (UL 1007, AWG24 or equivalent)
- OPERATION TEMPERATURE:** -10° to +70° C
- INSULATION RESISTANCE:** 10 megohms min @ 500 VDC
- DIELECTRIC STRENGTH:** 500 VAC for 1 min.
- INSULATION:** Class A
- SAFETY:** Impedance & Polarity Protected
- SAFETY APPROVALS:** UL, CSA & VDE
- OPERATING VOLTAGE:** 12 VDC (7 to 13.8)



UNIT: $\frac{\text{mm}}{\text{(INCH)}}$

PERFORMANCE CURVES: (Obtained with test chamber and methods in accordance with AMCA Std. 210-74)



SPECIFICATIONS: (All values are typical)

PART NUMBER	VOLTS	WATTS	AMPS	RPM	NOISE dB (A) @ 1M	CFM
USTF601012VHW	12VDC	2.16	0.18	4800	36.5	21.2
USTF601012HW	12VDC	1.44	0.12	4200	33.0	18.0
USTF601012MW	12VDC	0.96	0.08	3600	29.0	15.5
USTF601012LW	12VDC	0.84	0.07	3000	24.5	13.4

MODELS AVAILABLE ON REQUEST:

Failure Detector - rotation sensing - Add Suffix "SR" to part number
Speed Controller - tach output - Add Suffix "SF" to part number