



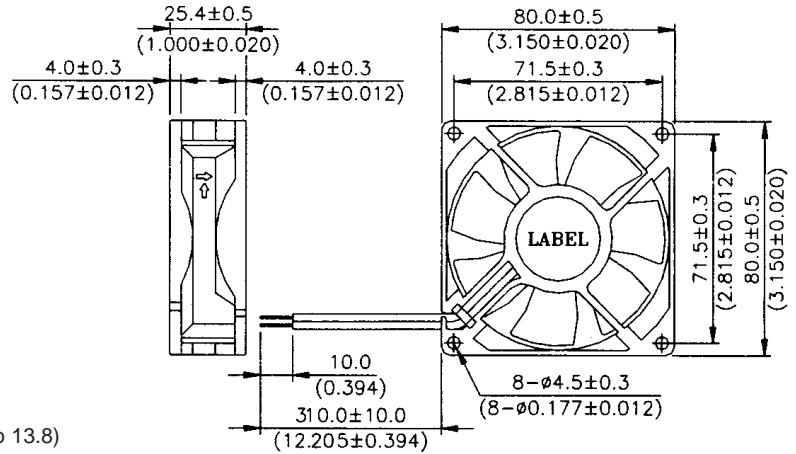
**USTF8025 Series**

**Size:** 3.15 in sq. x 1.0 in. thk  
(80mm sq. x 25mm thk.)

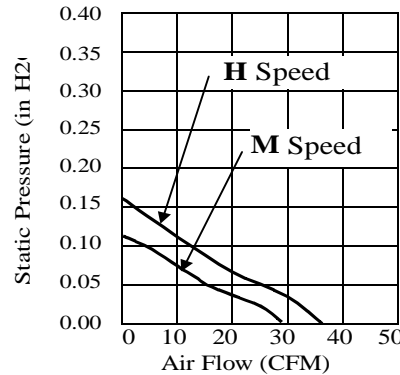
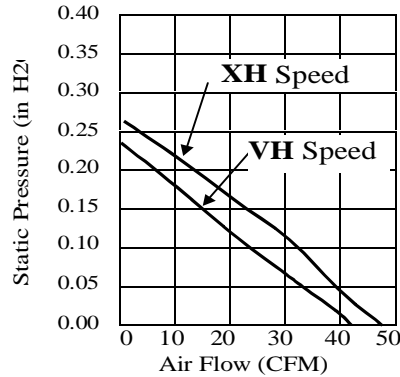
**Airflow:** 31 - 46.6 CFM

**Acoustical Noise:** 28 - 40.0 dB (A)

- MATERIAL:** Frame - Black PBT (UL 94V-0)  
Bearings - Ball  
Impeller - Black PBT (UL 94V-0)
- WEIGHT:** 3 oz. (85g)
- TERMINATION:** Lead Wires (UL 1007, AWG24)
- OPERATION TEMPERATURE:** -10° to +70°C
- INSULATION RESISTANCE:** 10 megohms min @ 500 VDC
- DIELECTRIC STRENGTH:** 500 VAC for 1 min.
- INSULATION:** Class A
- SAFETY:** Impedance & Polarity Protected
- SAFETY APPROVALS:** UL, CSA & VDE
- OPERATING VOLTAGE:** 5 VDC (4.5 to 6.0) - 12 VDC (6 to 13.8)  
24 VDC (14 to 27.6)



**PERFORMANCE CURVES:** (Obtained with test chamber and methods in accordance with AMCA Std. 210-74)



**SPECIFICATIONS:** (All values are typical)

PART NUMBER	VOLTS	WATTS	AMPS	RPM	NOISE dB (A) @ 1M	CFM
USTF802505HW	5VDC	2.15	0.43	3000	31.0	35.3
USTF802505MW	5VDC	1.65	0.33	2700	28.0	31.4
USTF802512XHW	12VDC	4.08	0.34	4000	40.0	46.6
USTF802512VHW	12VDC	3.12	0.26	3600	38.0	42.0
USTF802512HW	12VDC	1.92	0.16	3000	31.0	35.3
USTF802512MW	12VDC	1.44	0.12	2700	28.0	31.4
USTF802524XHW	24VDC	3.84	0.16	4000	40.0	46.6
USTF802524VHW	24VDC	3.36	0.14	3600	38.0	42.0
USTF802524HW	24VDC	1.68	0.07	3000	31.0	35.3
USTF802524MW	24VDC	1.44	0.06	2700	28.0	31.4

MODELS AVAILABLE ON REQUEST:

Failure Detector - rotation sensing - Add Suffix "SR" to part number  
Speed Controller - tach output - Add Suffix "SF" to part number