

LED LIGHTING

Our profession, your bright selection



PAN JIT International Inc. is one of leading discrete semiconductor manufacturer and provider, headquartered in Taiwan, serving customers worldwide.

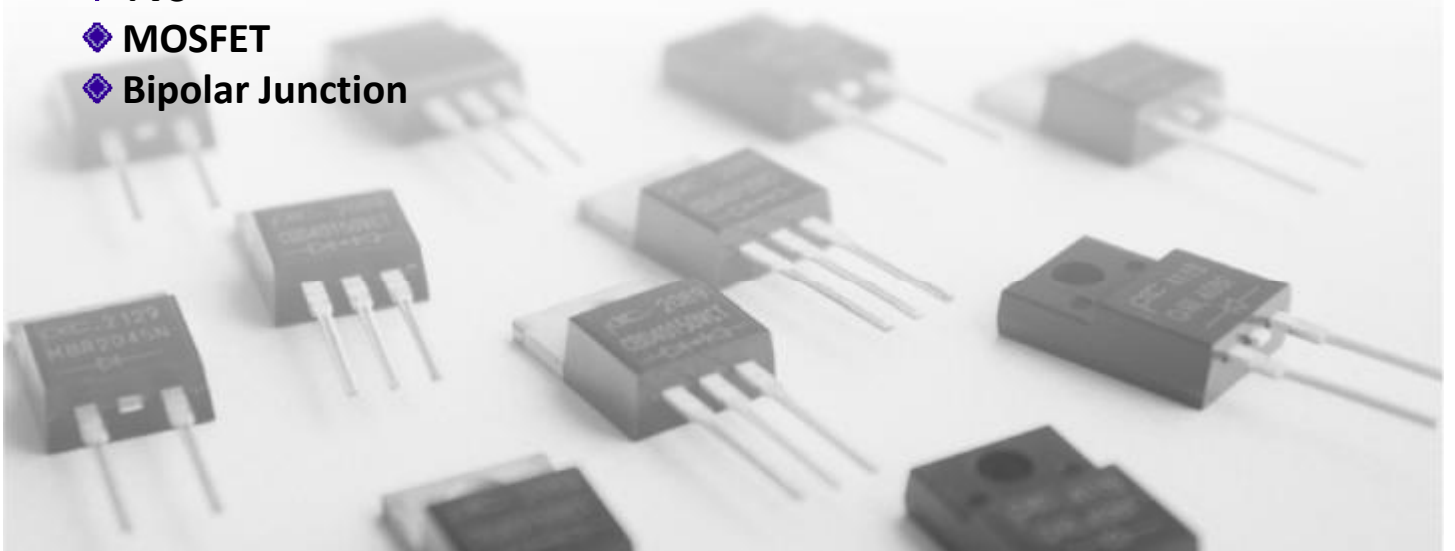
We provide the right solutions to LED lighting companies, supporting their designs and development activities by using PAN JIT's products known for the highest quality, reliability and performance.

We offer a broad portfolio of semiconductor devices in different packages, focusing especially on miniaturization. Our products are suitable for any power circuit driver design from LED flashlight to LED based street lights.

LED lighting circuit drivers require to operate under extreme ambient conditions, where the circuit elements must have the highest quality and performance, in order to deliver the light output specified.

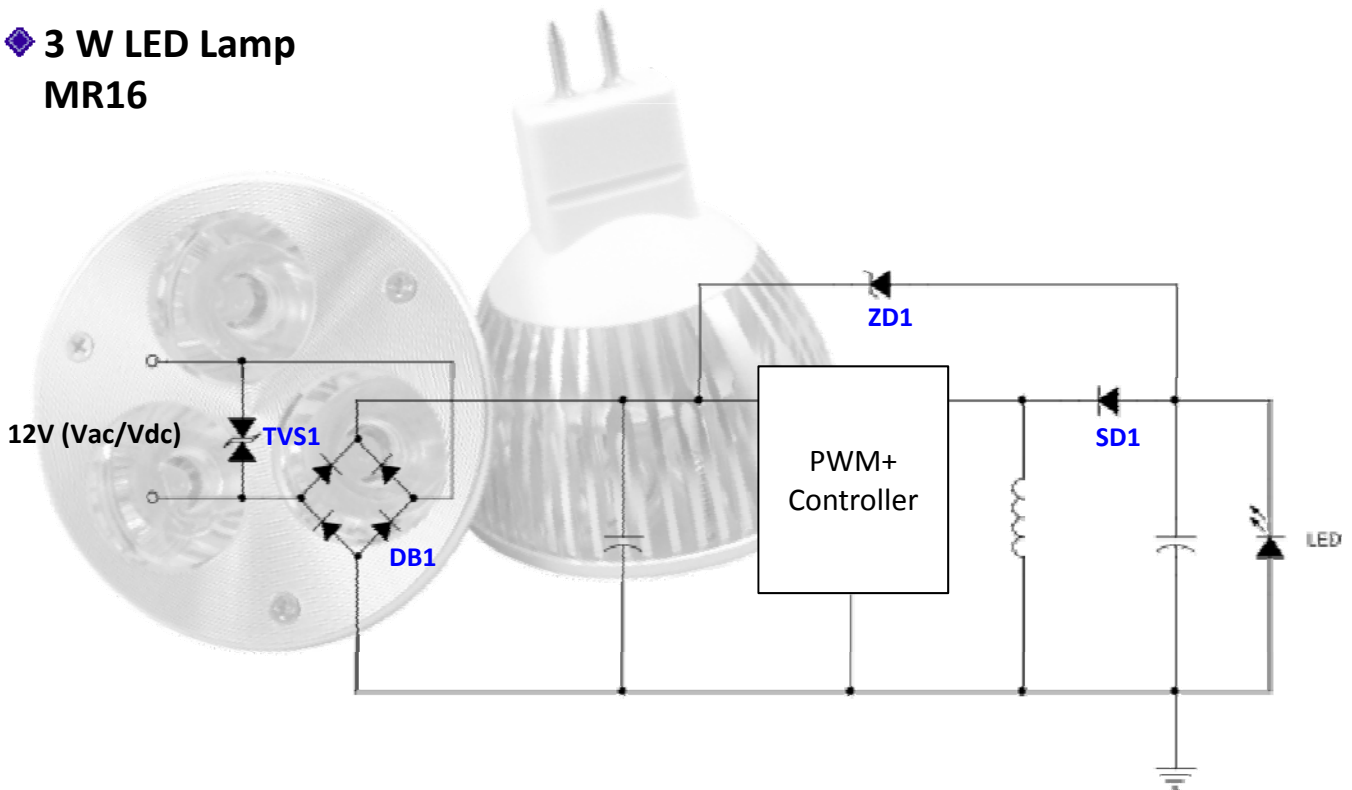
Our product line targeted for LED lighting includes

- ◆ Schottky Barrier**
- ◆ Diodes**
- ◆ Bridge**
- ◆ Zener**
- ◆ TVS**
- ◆ MOSFET**
- ◆ Bipolar Junction**



LED Driver - MR16 -

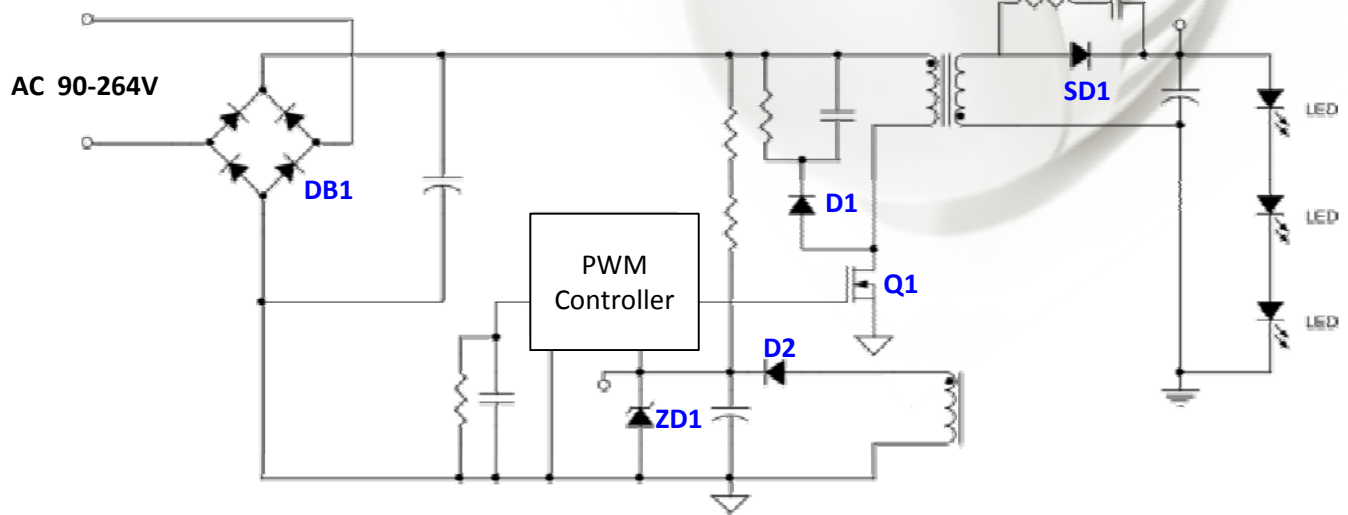
◆ 3 W LED Lamp MR16



Application	Function	Part number	Package	Qty	Ref.	Rating
Bridge	Schottky Bridge	SS2040FL	SOD-123FL	4		2A/40V
		TSM340IS	MICRO DIP	1	DB1	3A/40V
		TS360ILS	MICRO DIP	1		3A/60V
Protection	TVS	P6SMBJ series	SMB	1	TVS1	600W 12-36V
		P4SMAJ series	SMA			400W 12-36V
	Zener	MMSZ52xxB series	SOD-123	1	ZD1	500mW 12-36V
Rectification	Schottky	SR2xF series	SMAF	1	SD1	2A/40-60V
		SS20xxFL series	SOD-123FL			2A/40-60V
		SX3xF series	SMAF			3A/40-60V

Non-Dimmable Driver

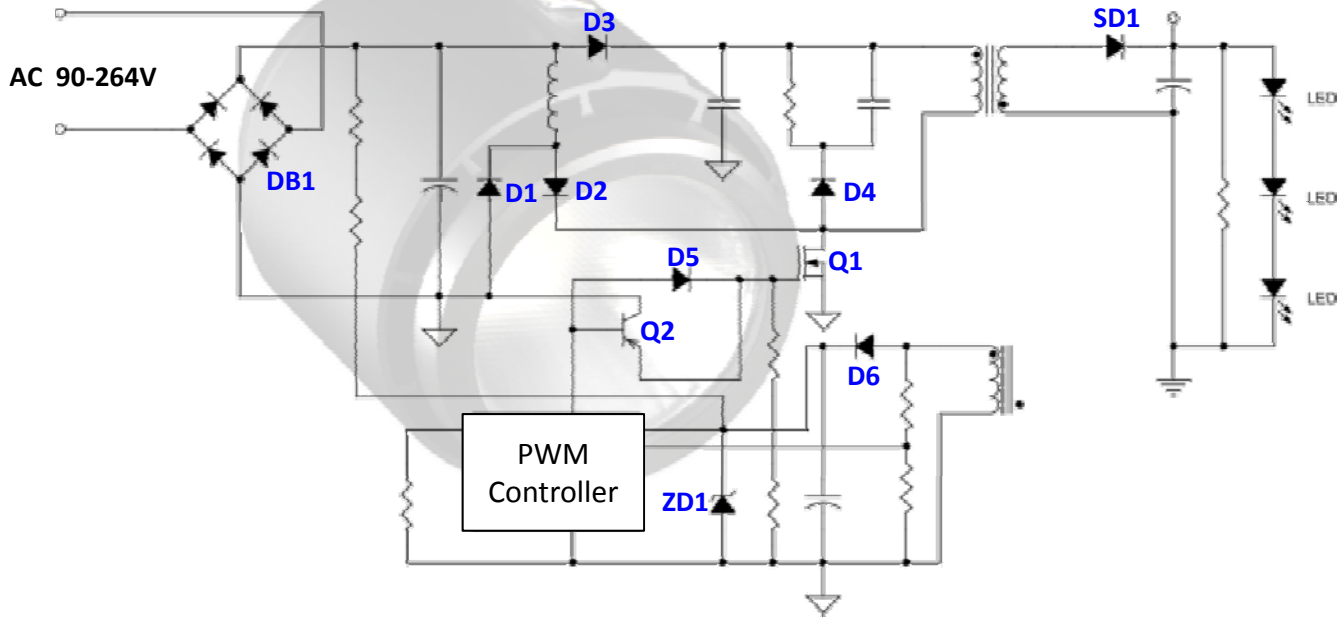
◆ 3-10W LED Lamp
Bulb/Candle/E14/GU10/Par20



Application	Function	Part number	Package	Qty	Ref.	Rating
Bridge	Bridge	TBxS-05 series	MICRO DIP	1	DB1	0.5A/800-1000V
		TBxS series	MICRO DIP	1		1A/800-1000V
	General Purpose	GS1010FL	SOD-123FL	4		1A/1000V
Protection	Zener	MMSZ52xxA series	SOD-123	1	ZD1	500mW 12-24V
Snubber	General Purpose	GS1010FL	SOD-123FL	1	D1	1A/1000V
	Fast Rectifier	RS1008FL	SOD-123FL	1		1A/800V
Vcc Rectifier	Fast Rectifier	RS1002FL	SOD-123FL	1	D2	1A/200V
Secondary Rectifier	Schottky / Fast Rectifier	MB2xF series	SMBF	1	SD1	2A/100-200V
		EST1xF series	SMAF			1A/200-400V
		EST2xF series	SMAF			2A/200-400V
MOSFET	MOSFET	PJU2NA60	TO-251AB	1	Q1	2A/600V
		PJU3NA80	TO-251AB	1		3A/800V

Non-Dimmable Driver

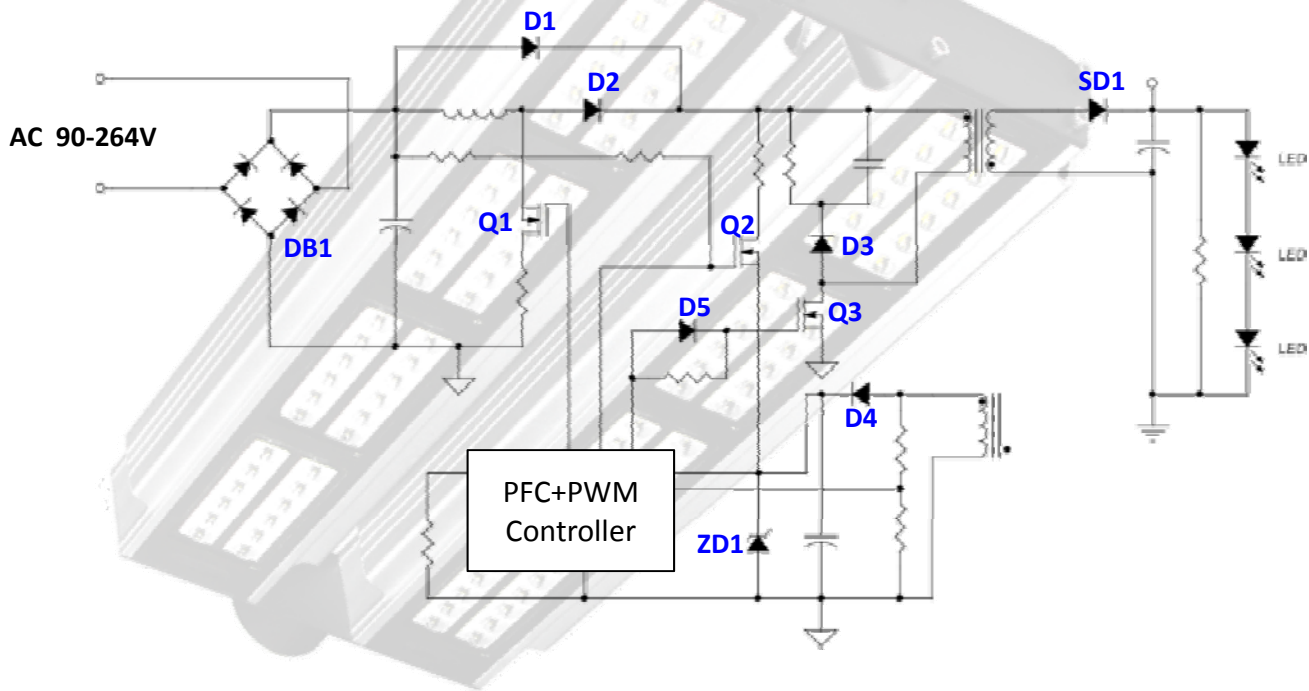
◆ 12-30W LED Lamp Tuber/Par30/Par38



Application	Function	Part number	Package	Qty	Ref.	Rating
Bridge	Bridge	TB10S	MICRO DIP	1	DB1	1A/1000V
		TB10S-12	MICRO DIP	1		1.2A/1000V
Boost Diode	Ultra Fast Rectifier	US1JF	SMAF	3	D1/D2/D3	1A/600V
Control	BJT	MMBT3906	SOT-23	1	Q2	0.2A/40V
	Switching Diode	1N4148W	SOD-123	1	D5	0.15A/100V
Snubber	Fast Rectifier	RS1xW series	SMA(W)	1	D4	1A/600-1000V
Vcc Rectifier	Fast Rectifier	RS100xFL series	SOD-123FL	1	D6	1A/200-600V
Protection	Zener	MMSZ52xxA series	SOD-123	1	ZD1	500mW 12-24V
MOSFET	MOSFET	PJF4NA60	ITO-220AB-F	1	Q1	4A/600V
Secondary Rectifier	Super Fast Rectifier	ER504	DO-201AD	1	SD1	5A/400V

Dimmable LED Driver

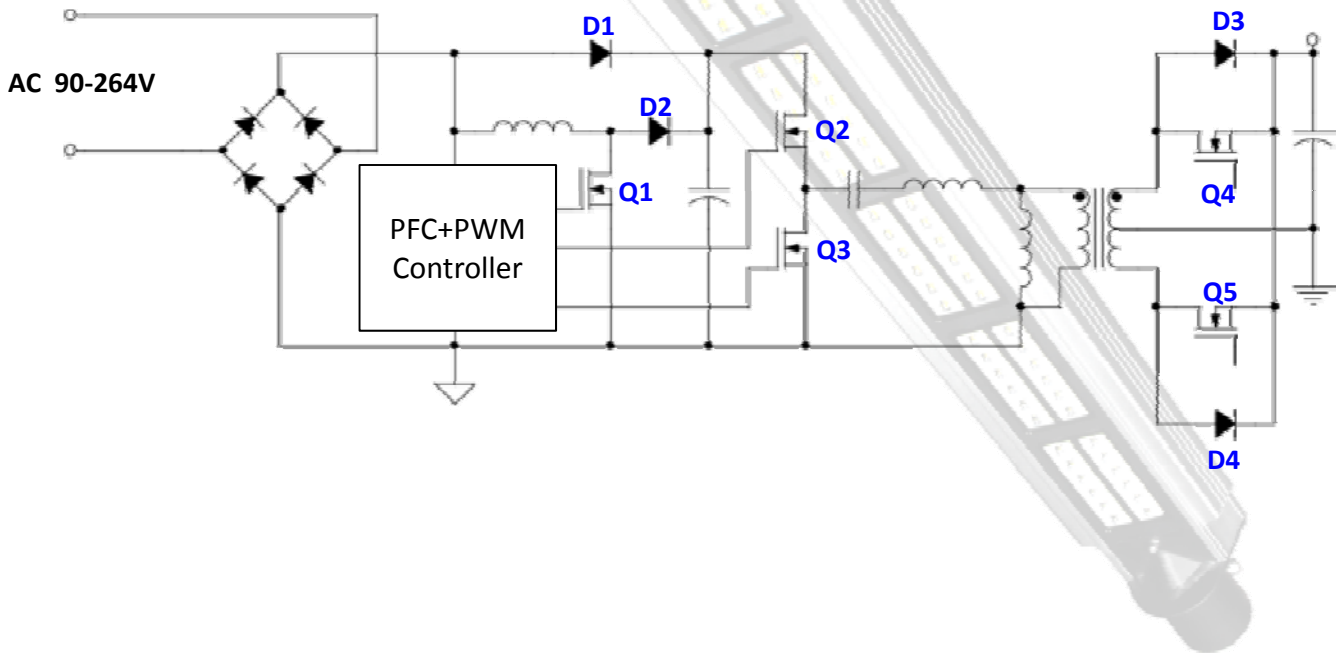
◆ 3-30W LED Lamp Bulb/Candle/E14/GU10/Tuber/Par20/Par30/Par38



Application	Function	Part number	Package	Qty	Ref.	Rating
Bridge	Bridge	TBxS series	MICRO DIP	1	DB1	1A/800-1000V
		TB10S-12	MICRO DIP	1		1.2A/1000V
Bypass Diode	Ultra Fast Rectifier	US1JF	SMAF	1	D1	1A/600V
Boost Diode	Super Fast Rectifier	ES1JF	SMAF	1	D2	1A/600V
PFC / PWM MOSFET	MOSFET	PJF2NA60	ITO-220AB-F	1	Q1/Q3	2A/600V
		PJF4NA60	ITO-220AB-F	1		4A/600V
		BSS126	SOT-23	1	Q2	12mA/600V
Snubber	Fast Rectifier	RS1xW series	SMA(W)	1	D3	1A/600-1000V
Vcc Rectifier	Fast Rectifier	RS1006FL	SOD-123FL	1	D4	1A/600V
Protection	Zener	MMSZ52xxA series	SOD-123	1	ZD1	500mW 12-24V
Schottky Rectifier	Schottky	BR2xF series	SMAF	1	SD1	2A/100-200V
		BX3xF series	SMAF	1		3A/100-200V

Street Light Driver

◆ 70-150W Street Light LED (LLC + SR)



Application	Function	Part number	Package	Qty	Ref.	Rating
Bypass Diode	General Purpose	PG5406	DO-201AD	1	D1	3A/600V
		S5J	SMC	1		5A/600V
Boost Diode	Super Fast Rectifier	QRT1006F	ITO-220AC	1	D2	10A/600V
		QR806F	ITO-220AC	1		8A/600V
PFC MOSFET	MOSFET	PJF13NA50	ITO-220AB-F	1	Q1	13A/500V
		PJF8NA50	ITO-220AB-F	1		8A/500V
Half Bridge MOSFET	MOSFET	PJF10NA60	ITO-220AB-F	2	Q2/Q3	10A/600V
		PJF12NA60	ITO-220AB-F			12A/600V
SR MOSFET	MOSFET	PJD50N10	TO-252	2	Q4/Q5	50A/100V
		PJD60N10	TO-252			60A/100V
(Non SR Solution) Secondary Schottky	Schottky	SBT20100VCT	TO-220AB	2	D3/D4	20A/100V
		SBT20150LCT	TO-220AB			20A /150V



When you need us, HERE to get us

Pan jit International Inc. is a global discrete manufacturer, we have multiple branches to offer services worldwide.

◆ TAIWAN

◆ HEADQUARTERS

Tel. +886-7-621-3121 Fax. +886-7-621-3129

◆ TAIPEI SALES OFFICE

Tel. +886-2-2627-1898 Fax. +886-2-2627-8856

◆ CHINA

◆ BEIJING SALES OFFICE

Tel. +86-10-5332-5203 Fax. +86-10-5332-3319

◆ WUXI SALES OFFICE

Tel. +86-510-8522-8922 Fax. +86-510-8521-1613

◆ SUZHOU SALES OFFICE

Tel. +86-512-6536-7711 Fax. +86-512-6536-7722

◆ SHENZHEN SALES OFFICE

Tel. +86-755-846-86621 Fax. +86-755-840-04048

◆ HONG KONG SALES OFFICE

Tel. +852-2751-8413~5 Fax. +852-2751-8272

◆ AMERICA

Tel. +1-480-379-2800 Fax. +1-480-379-2819

◆ EUROPE

Tel. +49- 8171-99-91-0 Fax. +49-8171-99-91-10

◆ KOREA

Tel. +82-031-202-6270 Fax. +82-31-202-1974

Visit our website to check our local distributor for your service:
www.panjit.com

or contact us:
sales@panjit.com.tw

