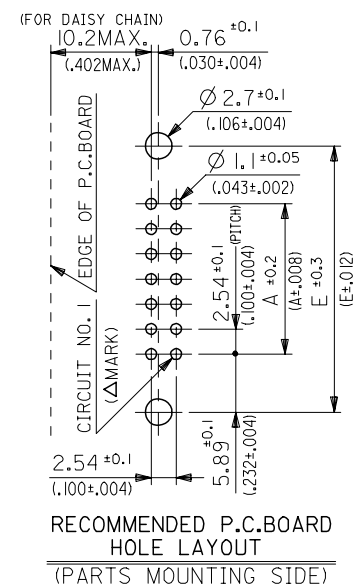
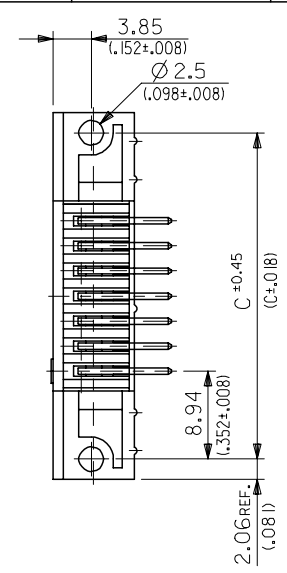
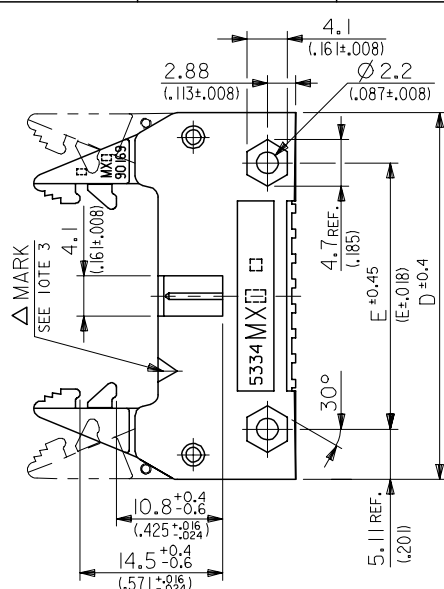
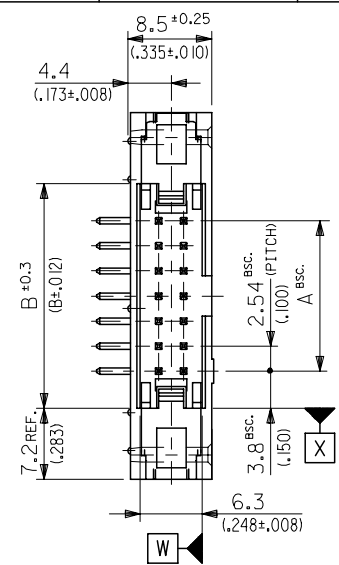
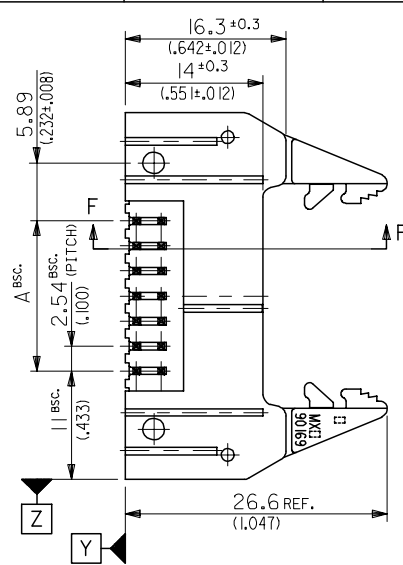
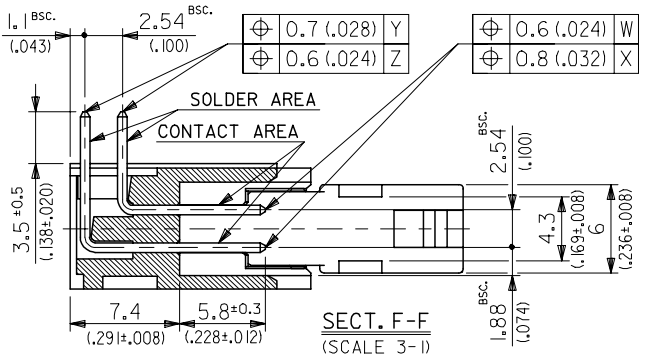
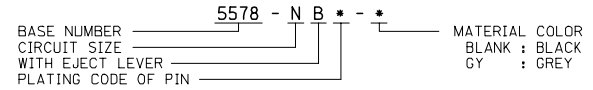


10 9 8 7 6 5 4 3 2 1



NOTES

- MATERIAL HEADER & EJECT LEVER : G.F. 15% PBTP (UL94V-0)
PINS : BRASS, SIZE--- □0.635(0.25 SQ.)
SPRING PIN : STEEL
- MATES WITH MOLEX CONNECTOR SERIES OF 5320.
- LEGEND



SECT. F-F
(SCALE 3-1)

CODE:△	MARK COLOR	CONTACT AREA	SOLDER AREA	UNDER PLATE
LEAD-FREE G1	WHITE	GOLD 0.1μm.00004μMIN.		NICKEL 1μm.00004μMIN.
LEAD-FREE G2	ORANGE	GOLD 0.76μm.00003μMIN.		
LEAD-FREE G3	GREEN	GOLD 0.25μm.00001μMIN.		
	GS1	YELLOW	GOLD 0.1μm.00004μMIN.	TIN-LEAD 3μm.00012μMIN.
	GS2	BROWN	GOLD 0.76μm.00003μMIN.	
	GS3	BLUE	GOLD 0.25μm.00001μMIN.	
LEAD-FREE T2	BLACK		TIN 1μm.00004μMIN.	NICKEL 0.5μm.00002μMIN.
LEAD-FREE GS17F	YELLOW	GOLD 0.1μm.00004μMIN.		NICKEL 1μm.00004μMIN.
LEAD-FREE GS27F	BROWN	GOLD 0.76μm.00003μMIN.	TN 1μm.00004μMIN.	
LEAD-FREE GS37F	BLUE	GOLD 0.25μm.00001μMIN.		

64	78.74 (3.100)	86.34 (3.400)	96.62 (3.804)	100.74 (3.966)	90.52 (3.564)
60	73.66 (2.900)	81.26 (3.200)	91.54 (3.604)	95.66 (3.766)	85.44 (3.364)
50	60.96 (2.400)	68.56 (2.700)	78.84 (3.104)	82.96 (3.266)	72.74 (2.864)
40	48.26 (1.900)	55.86 (2.200)	66.14 (2.604)	70.26 (2.766)	60.04 (2.364)
34	40.64 (1.600)	48.24 (1.900)	58.52 (2.304)	62.64 (2.466)	52.42 (2.064)
30	35.56 (1.400)	43.16 (1.700)	53.44 (2.104)	57.56 (2.266)	47.34 (1.864)
26	30.48 (1.200)	38.08 (1.500)	48.36 (1.904)	52.48 (2.066)	42.26 (1.664)
20	22.86 (900)	30.46 (1.200)	40.74 (1.604)	44.86 (1.766)	34.64 (1.364)
16	17.78 (700)	25.38 (1.000)	35.66 (1.404)	39.78 (1.566)	29.56 (1.164)
14	15.24 (600)	22.84 (900)	33.12 (1.304)	37.24 (1.466)	27.02 (1.064)
10	10.16 (400)	17.76 (700)	28.04 (1.104)	32.16 (1.266)	21.94 (864)
NO. OF CKTS.	DIM. A	DIM. B	DIM. C	DIM. D	DIM. E

REVISED EC NO: J2006-0712 DRW:YANAGI MOTO 2005/10/03 CHK:D.TANAKA 2005/10/06 APPR:NUKITA 2005/10/14	GENERAL TOLERANCES (UNLESS SPECIFIED)		DIMENSION STYLE MM ONLY		SCALE 2:1	DESIGN UNITS METRIC	THIRD ANGLE PROJECTION			
	10 UNDER ±0.2	10 OVER 30 UNDER ±0.25	30 OVER ±0.3	ANGULAR ±3 °	DRAFT WHERE APPLICABLE MUST REMAIN WITHIN DIMENSIONS	DRAWN BY H. HIRAMOTO	DATE 1989/12/04	TITLE QIK FLECS HEADER ASS'Y R.A. WITH DUAL FUNCTION EJECT LEVERS		
	APPROVED BY					DATE	MOLEX MOLEX INCORPORATED			
	MATERIAL NO. SEE SHEET 2 OF 2					DOCUMENT NO. SD-5578-001	SHEET NO. 1 OF 2			
	THIS DRAWING CONTAINS INFORMATION THAT IS PROPRIETARY TO MOLEX INCORPORATED AND SHOULD NOT BE USED WITHOUT WRITTEN PERMISSION									

F

E

D

C

B

A

39-53-7643	5578-64BGS37F-GY	39-53-7642	5578-64BGS27F-GY	39-53-7641	5578-64BGS17F-GY	39-53-7640	5578-64BGS37F	39-53-6649	5578-64BGS27F	39-53-6648	5578-64BGS17F	64
▲ -7603	▲ -60BGS37F-GY	▲ -7602	▲ -60BGS27F-GY	▲ -7601	▲ -60BGS17F-GY	▲ -7600	▲ -60BGS37F	▲ -6609	▲ -60BGS27F	▲ -6608	▲ -60BGS17F	60
-7503	-50BGS37F-GY	-7502	-50BGS27F-GY	-7501	-50BGS17F-GY	-7500	-50BGS37F	-6509	-50BGS27F	-6508	-50BGS17F	50
-7403	-40BGS37F-GY	-7402	-40BGS27F-GY	-7401	-40BGS17F-GY	-7400	-40BGS37F	-6409	-40BGS27F	-6408	-40BGS17F	40
-7343	-34BGS37F-GY	-7342	-34BGS27F-GY	-7341	-34BGS17F-GY	-7340	-34BGS37F	-6349	-34BGS27F	-6348	-34BGS17F	34
-7303	-30BGS37F-GY	-7302	-30BGS27F-GY	-7301	-30BGS17F-GY	-7300	-30BGS37F	-6309	-30BGS27F	-6308	-30BGS17F	30
-7263	-26BGS37F-GY	-7262	-26BGS27F-GY	-7261	-26BGS17F-GY	-7260	-26BGS37F	-6269	-26BGS27F	-6268	-26BGS17F	26
-7203	-20BGS37F-GY	-7202	-20BGS27F-GY	-7201	-20BGS17F-GY	-7200	-20BGS37F	-6209	-20BGS27F	-6208	-20BGS17F	20
-7163	-16BGS37F-GY	-7162	-16BGS27F-GY	-7161	-16BGS17F-GY	-7160	-16BGS37F	-6169	-16BGS27F	-6168	-16BGS17F	16
▼ -7143	▼ -14BGS37F-GY	▼ -7142	▼ -14BGS27F-GY	▼ -7141	▼ -14BGS17F-GY	▼ -7140	▼ -14BGS37F	▼ -6149	▼ -14BGS27F	▼ -6148	▼ -14BGS17F	14
39-53-7103	5578-10BGS37F-GY	39-53-7102	5578-10BGS27F-GY	39-53-7101	5578-10BGS17F-GY	39-53-7100	5578-10BGS37F	39-53-6109	5578-10BGS27F	39-53-6108	5578-10BGS17F	10
EDP NO.	ENG. NO.	EDP NO.	ENG. NO.	EDP NO.	ENG. NO.	EDP NO.	ENG. NO.	EDP NO.	ENG. NO.	EDP NO.	ENG. NO.	NO. OF CKTS.
5578-NBGS37F-GY LEAD FREE-			5578-NBGS27F-GY LEAD FREE-			5578-NBGS17F-GY LEAD FREE-		5578-NBGS37F LEAD FREE-		5578-NBGS27F LEAD FREE-		5578-NBGS17F LEAD FREE-

		39-27-3644	5578-64BGS3-GY	39-27-3643	5578-64BGS2-GY	39-27-3642	5578-64BGS1-GY	39-27-1648	5578-64BGS3	39-27-1647	5578-64BGS2	39-27-1646	5578-64BGS1	64
		▲ -3604	▲ -60BGS3-GY	▲ -3603	▲ -60BGS2-GY	▲ -3602	▲ -60BGS1-GY	▲ -1608	▲ -60BGS3	▲ -1607	▲ -60BGS2	▲ -1606	▲ -60BGS1	60
39-28-5506	5578-50BT2	▲ -3504	▲ -50BGS3-GY	▲ -3503	▲ -50BGS2-GY	▲ -3502	▲ -50BGS1-GY	▲ -1508	▲ -50BGS3	▲ -1507	▲ -50BGS2	▲ -1506	▲ -50BGS1	50
▲ -5406	▲ -40BT2	-3404	-40BGS3-GY	-3403	-40BGS2-GY	-3402	-40BGS1-GY	-1408	-40BGS3	-1407	-40BGS2	-1406	-40BGS1	40
▲ -5346	▲ -34BT2	-3344	-34BGS3-GY	-3343	-34BGS2-GY	-3342	-34BGS1-GY	-1348	-34BGS3	-1347	-34BGS2	-1346	-34BGS1	34
-5306	-30BT2	-3304	-30BGS3-GY	-3303	-30BGS2-GY	-3302	-30BGS1-GY	-1308	-30BGS3	-1307	-30BGS2	-1306	-30BGS1	30
-5266	-26BT2	-3264	-26BGS3-GY	-3263	-26BGS2-GY	-3262	-26BGS1-GY	-1268	-26BGS3	-1267	-26BGS2	-1266	-26BGS1	26
-5206	-20BT2	-3204	-20BGS3-GY	-3203	-20BGS2-GY	-3202	-20BGS1-GY	-1208	-20BGS3	-1207	-20BGS2	-1206	-20BGS1	20
-5166	-16BT2	-3164	-16BGS3-GY	-3163	-16BGS2-GY	-3162	-16BGS1-GY	-1168	-16BGS3	-1167	-16BGS2	-1166	-16BGS1	16
▼ -5146	▼ -14BT2	▼ -3144	▼ -14BGS3-GY	▼ -3143	▼ -14BGS2-GY	▼ -3142	▼ -14BGS1-GY	▼ -1148	▼ -14BGS3	▼ -1147	▼ -14BGS2	▼ -1146	▼ -14BGS1	14
39-28-5106	5578-10BT2	39-27-3104	5578-10BGS3-GY	39-27-3103	5578-10BGS2-GY	39-27-3102	5578-10BGS1-GY	39-27-1108	5578-10BGS3	39-27-1107	5578-10BGS2	39-27-1106	5578-10BGS1	10
EDP NO.	ENG. NO.	EDP NO.	ENG. NO.	EDP NO.	ENG. NO.	EDP NO.	ENG. NO.	EDP NO.	ENG. NO.	EDP NO.	ENG. NO.	EDP NO.	ENG. NO.	NO. OF CKTS.
5578-NBT2 LEAD FREE-		5578-NBGS3-GY			5578-NBGS2-GY			5578-NBGS1-GY		5578-NBGS3		5578-NBGS2		5578-NBGS1

REVISED EC NO: J2006-0712 DRWN:VANAGI MOTO 2005/10/09 CHKD:MTANAKA 2005/10/09 APPR:NUKITA 2005/10/14 G	GENERAL TOLERANCES (UNLESS SPECIFIED)		DIMENSION STYLE MM ONLY		SCALE ---	DESIGN UNITS METRIC	THIRD ANGLE PROJECTION
	10 UNDER	± 0.2	DRAWN BY DATE H. HIRAMOTO 1989/12/04		TITLE QIK FLECS HEADER ASS'Y R.A. WITH DUAL FUNCTION EJECT LEVER		
	10 OVER 30 UNDER	± 0.25	CHECKED BY DATE		MOLEX MOLEX INCORPORATED		
	30 OVER	± 0.3	APPROVED BY DATE				
	ANGULAR	± 3 °	MATERIAL NO. SEE CHART		DOCUMENT NO. SD-5578-001		SHEET NO. 2 OF 2
DRAFT WHERE APPLICABLE MUST REMAIN WITHIN DIMENSIONS		THIS DRAWING CONTAINS INFORMATION THAT IS PROPRIETARY TO MOLEX INCORPORATED AND SHOULD NOT BE USED WITHOUT WRITTEN PERMISSION					