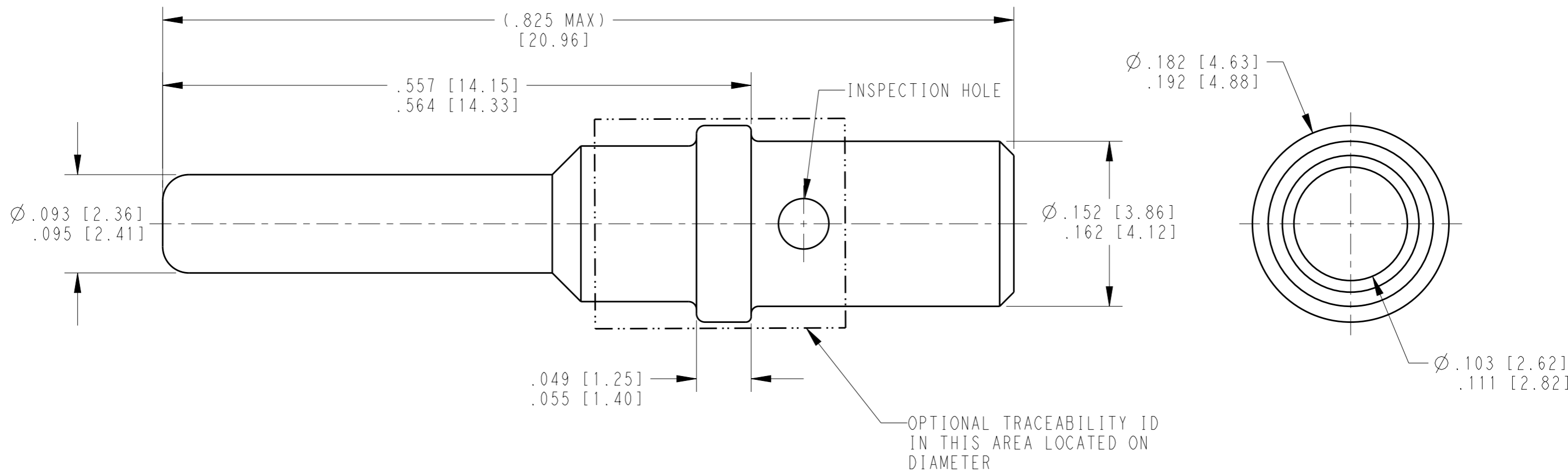



REVISIONS					
P	LTR	DESCRIPTION	DATE	DWN	APVD
	A	REDRAWN PER E.O. A13367	16MAR1993		JA
	B	REVISED AND REDRAWN PER EO P18855	14MAR2005	JA	RDR
	C	REVISED PER PCN E-18-001206	24JAN2018	JA	DM
	C1	REVISED PER PCN E-19-018080	19NOV2019	MK	DM



TE INTERNAL PN	DEUTSCH PN	PLATING
0460-220-1231	0460-220-1231	GOLD

(C1) 1. SEE APPLICATION SPECIFICATION 114-151004 FOR CRIMP TOOLS AND WIRE RANGE.

THIS DRAWING IS A CONTROLLED DOCUMENT.		DWN	J. APOSTOL	04MAR2005	 TE Connectivity			
DIMENSIONS: INCHES [mm]		CHK	B. BYFORD	14MAR2005				
TOLERANCES UNLESS OTHERWISE SPECIFIED:		APVD	R. REED	14MAR2005				
0 PLC ± 1 PLC ± 2 PLC ± 3 PLC ± 4 PLC ± ANGLES ±		PRODUCT SPEC	108-151004					
MATERIAL		APPLICATION SPEC	114-151004		NAME	CONTACT PIN SIZE 12		
FINISH		WEIGHT	SIZE	A3	CAGE CODE	4AFU8		
		CUSTOMER DRAWING	DRAWING NO	G=0460-220-12XX		RESTRICTED TO	-	
			SCALE	10:1	SHEET	1 OF 1	REV	C1

NOTES: