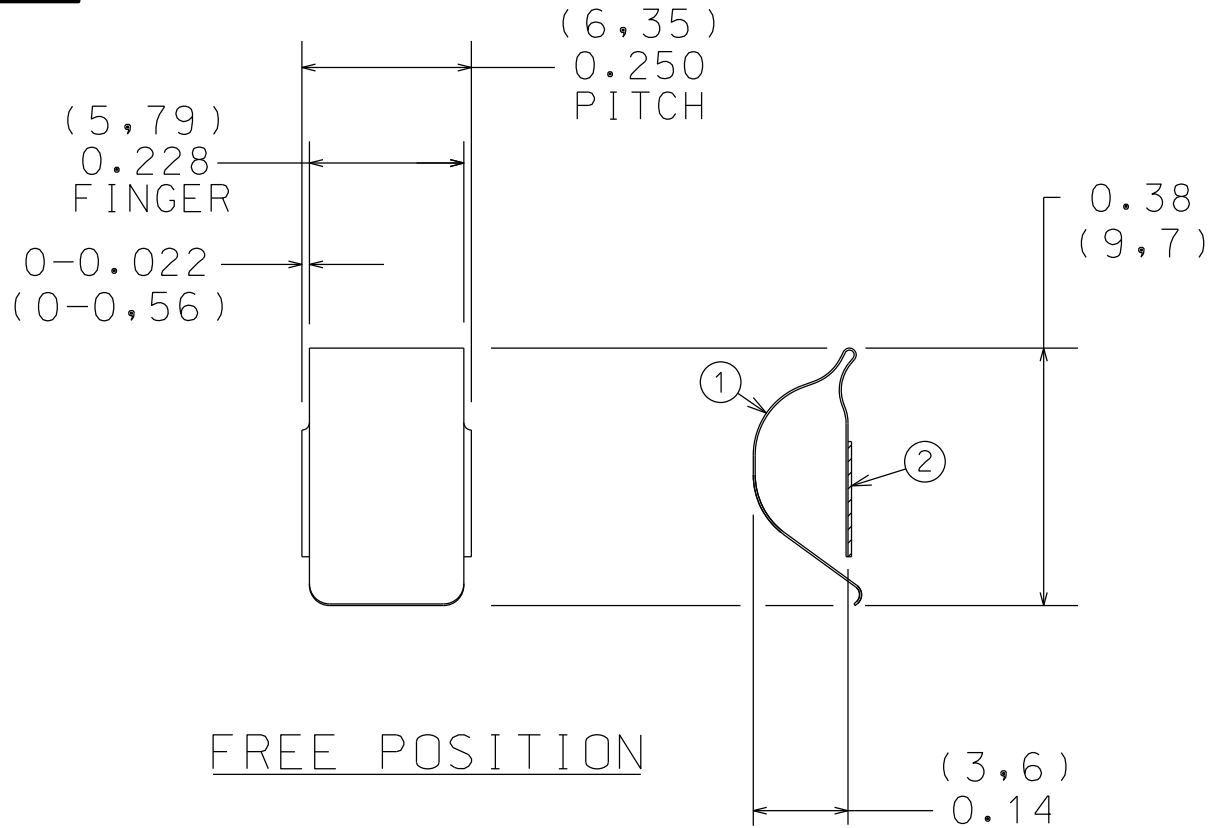


099-720-00-20X1


This is an  
UNCONTROLLED DOCUMENT  
Specifications may change  
without notification



COMPONENT TABLE		
PART NUMBER	ITEM 1	ITEM 2
099-720-NT-20X1	✓	-
099-720-WT-20X1	✓	✓

MATERIAL TABLE	
ITEM NUMBER	MATERIAL
1	0.0030 (0,076) THICK ASTM-B194 C17200 TH01
2	PART NUMBER 110-101-02-00

DIMENSIONS IN ( ) ARE IN MILLIMETERS

DRAWING REVISION LEVEL CORRELATED TO INTERNAL MANUFACTURING DRAWING	DRAWN BY RHnye	DATE 17 Feb 2012	TOLERANCE U.O.S. 2 PL. DEC. ± 0.02 (±0,50) 3 PL. DEC. ± 0.010 (±0,25)	 OMEGA SHIELDING PRODUCTS
	SCALE NONE	DO NOT SCALE		
	MATERIAL	TITLE: OUTLINE DRAWING MODIFIED FOLDOVER SERIES		DRAWING NO: 099-720-00-20X1