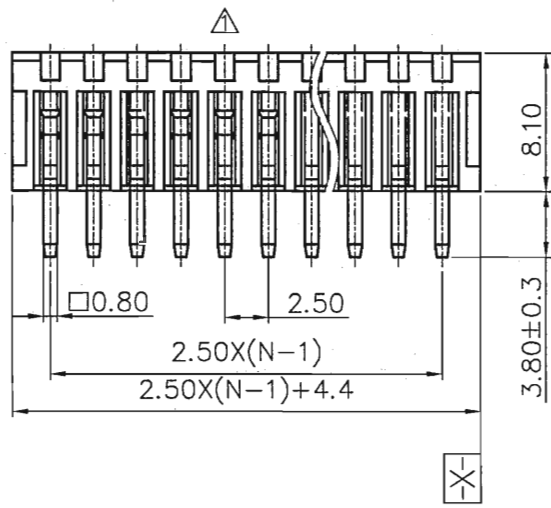


REVISION RECORD				
REV	ECN	DESCRIPTION	DRFT	DATE
△	10-0286	修改外观	JNHAI.LAN	08/31/10'
△	10-0357	增加VDE、CE刻字及修改参数	ZXX	10/21/10'
△	15-0287	增加自动化针, 手工针由8.3X8.1mm改成8.1x8.1mm	HHJ	07/17/15'

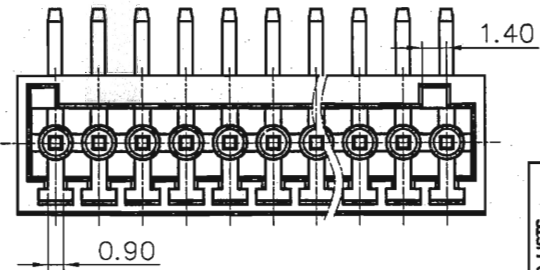
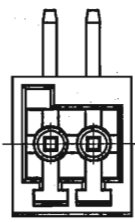
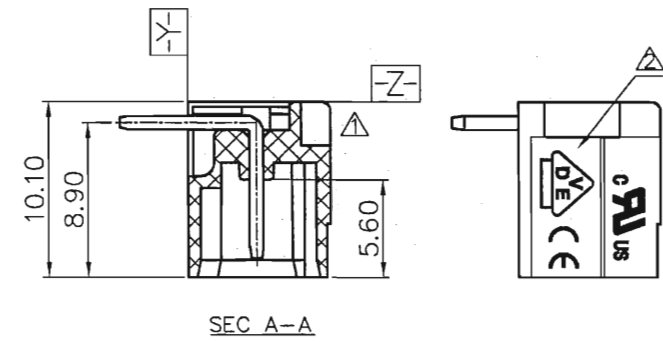
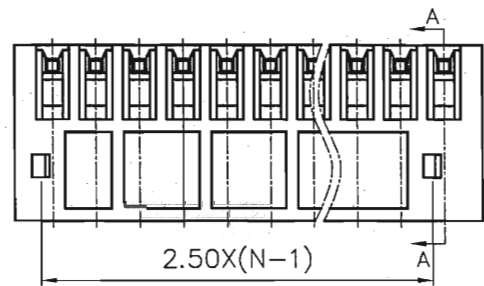
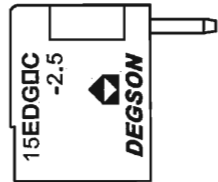
管中心
研发专用
2015.07.30

(仅限内部使用, 对外无效)



NOTES:
 1. PITCH: 2.5, POLES: 2-12P
 2. RATED VOLTAGE/CURRENT: UL 150V/4A
 VDE 250V/5A
 3. OPERATION TEMPERATURES: -40°C+105°C
 4. RATED IMPULSE VOLTAGE: 2.5KV
 5. UNDIMENSIONED TOLERANCES:

PITCH RANGE IN MM		NOMINAL DIMENSION RANGE IN MM						-	
TO	OVER	TO	OVER	TO	OVER	TO	OVER	TO	OVER
6	10	6	10	30	60	100	150	150	150
10	24	30	60	100	150	150	150	150	150
±0.10	±0.15	±0.25	±0.20	±0.30	±0.50	±0.70	±1.00	0.05/10	



ITEM	NAME OF PART	NO. OF PART	QTY	MATERIAL	NOTES
2	15EDGRC-2.5(8.1*8.1) AUTOMATIC ASSEMBLY	1218B00040(H)	XX	BRASS	SN PLATED
2	15EDGRC HEADER MANUAL ASSEMBLY	1218B00010(H)	XX	BRASS	SN PLATED
1	15EDGV/RC HOUSING	1218AYYXA(H)	1	PA66	UL94V-0

DETACHED LISTS	TOLERANCES EXCEPT AS NOTED		MATERIAL:		宁波高正电子有限公司			
	FINISH:		PART NO.:		DEGSON® DEGSON ELECTRONICS CO., LTD			
	NAME:		APPD: <i>Apron 7/18-rs</i>		TITLE: ASSEMBLY DRAWING		REV	T3
	THIRD ANGLE PROJECTION		DRFT: LIN 10/20/08"		DRAWING NO.: 15EDGRC-2.5-E01		SHEET	1/1