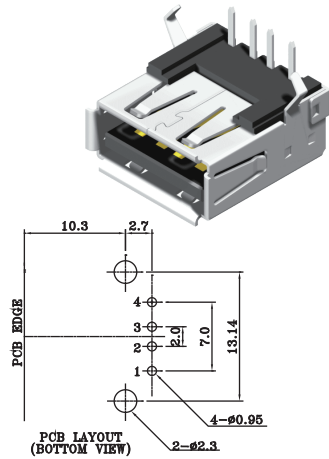
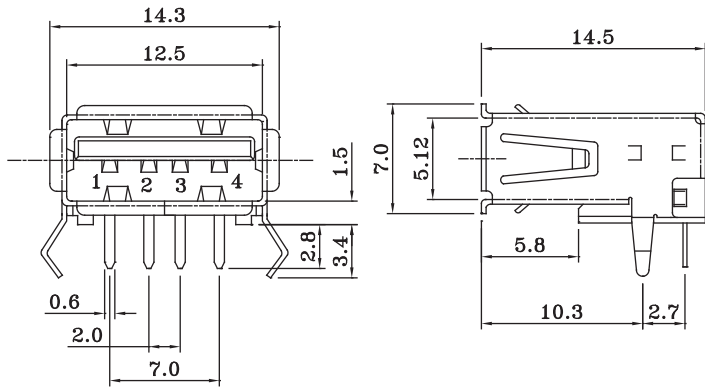


USB A Type Female Dip 90° 4P



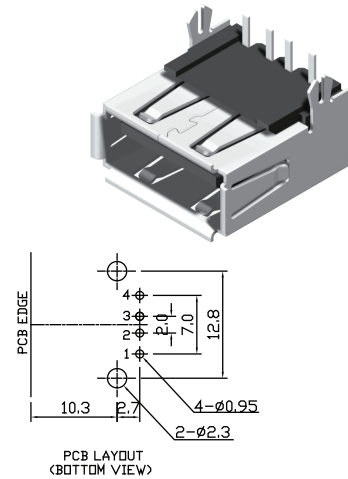
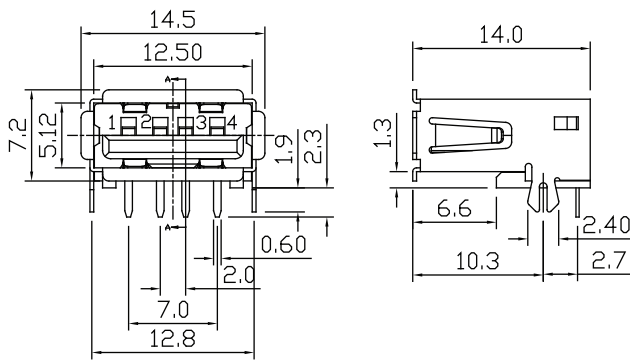
No.	Name	Q'ty	Material	Remarks & Thickness	Finish
1	Housing	1	PBT G.F.		White/Black
2	Pin Term.	4	Copper Alloy T:0.25	Gold:1~3 μ m ; Ni:40~60 ; Tin:120 μ m* (100% Pure Tin of Lead Free Plating)	Gold/Tin Plating

P/N.:5US2A01RF-104S0XLAN1

Old P/N:USB-001-AX-L

B:Black W:White

USB A Type Female Reverse Dip 90° 4P



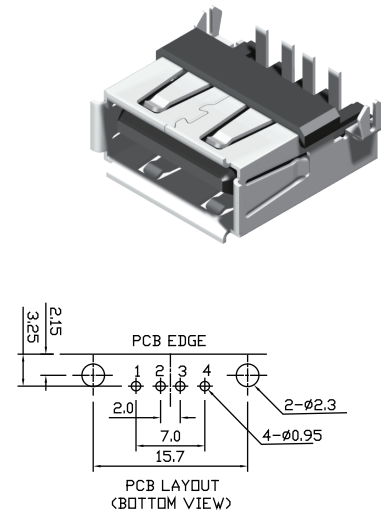
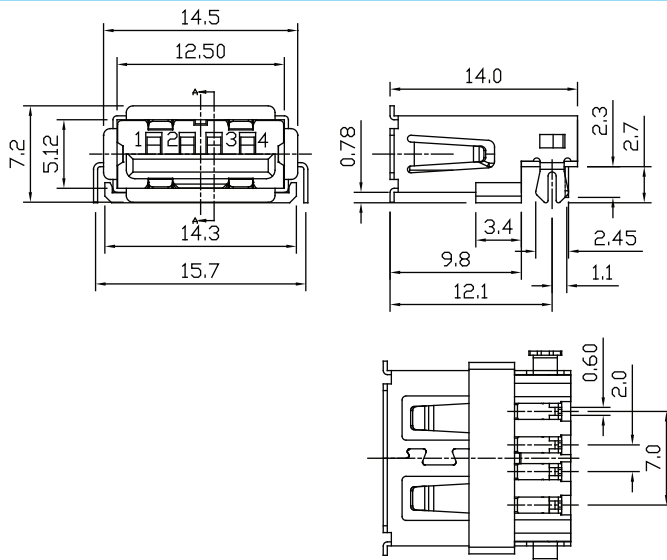
No.	Name	Material	Finish	Q'TY	Remark
1	Housing	PBT G.F.	Black/White	1	
2	Terminal	Phos. Bronze T=0.25	Gold/Tin Plated	4	Gold:1~3 μ m ; Ni:40~60 μ m ; Tin:120 μ m* (100% Pure Tin of Lead Free Plating)

P/N.:5US2A02RF-104S0XLAN1

Old P/N:USB-001RD-AX-L

B:Black W:White

USB A Type Female Reverse Flat Dip 90° 4P



No.	Name	Material	Finish	Q'TY	Remark
1	Housing	PBT G.F.	Black/White	1	
2	Terminal	Phos. Bronze T=0.25	Gold/Tin Plated	4	Gold:1~3 μ m ; Ni:40~60 μ m ; Tin:120 μ m* (100% pure Tin of lead free plating)

P/N.:5US2A03RF-104S0XLAN1

Old P/N:USB-001RD-A1X-L

B:Black W:White