

UMR

Epoxy-Dipped Radial Lead Inductive Film/Foil Capacitors



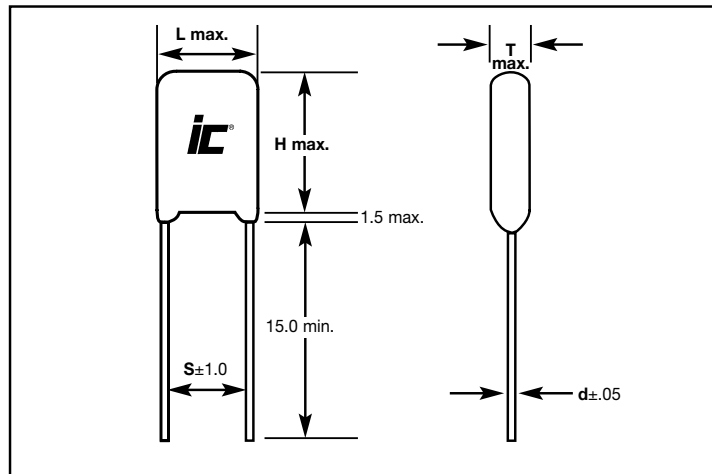
- Coupling
- Ceramic Disk Alternative
- Blocking
- Bypass

Operating Temperature Range		-55°C to 85°C	
Capacitance Tolerance		±10% at 1kHz, 25°C	
Voltage Range	WVDC	100	
	VAC	63	
Dissipation Factor		1.0% at 1 kHz, 25°C	
Insulation Resistance		30,000 MΩ	
2,000 hours, +85°C with 125% rated DC voltage			
Load Life		Capacitance Change	≤8% maximum
		Dissipation Factor Change	<110% maximum specification
		Insulation Resistance	≥ 4,500 MΩ
250 hours, 95% RH, 25°C and no applied voltage			
Humidity Test		Capacitance Change	<10% of initial readings @ +25°C, 1kHz
		Dissipation Factor Change	≤ 10% of initial +25°C 1kHz
		Insulation Resistance	≥ Minimum 2700MΩ
Self-inductance		≤1 nH/mm along the capacitor pitch	
Capacitance Drift Factor		(after 2 years) ≤ 3.0% up to 40°C	
Capacitance Temperature Coefficient		+500 ppm/°C, ± 200ppm/°C	
Type		Inductive film/foil	
Dielectric		Polyester film	
Electrodes		Aluminum foil	
Leads		Tinned copper wire	
Coating		Flame retardant epoxy sealed resin (UL 94V-0)	

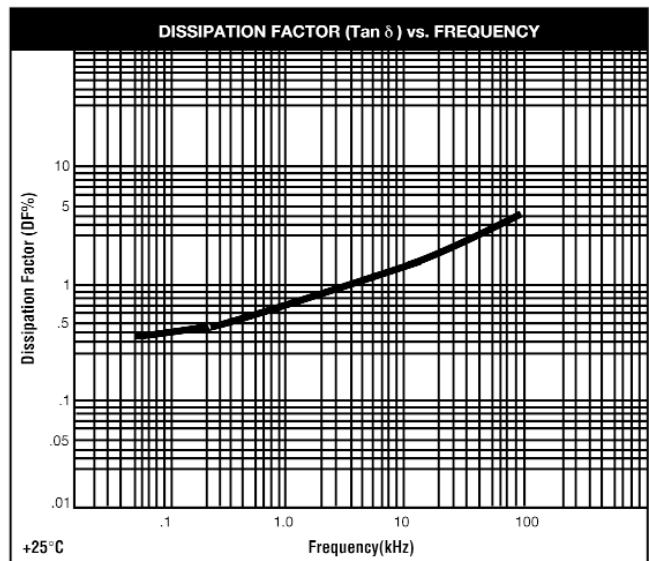
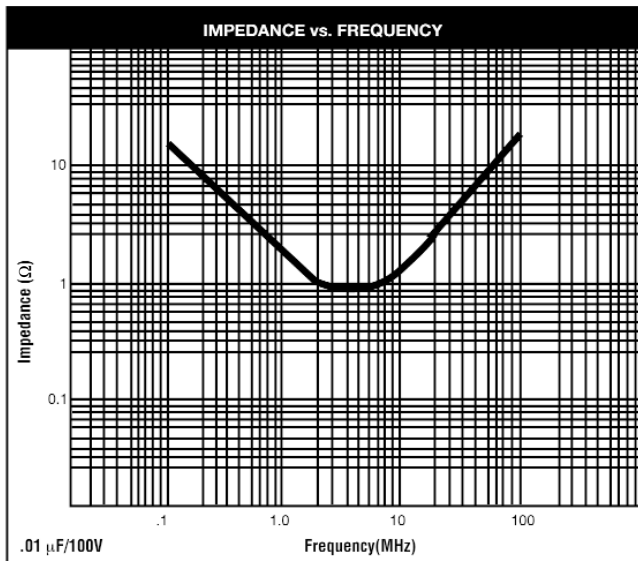
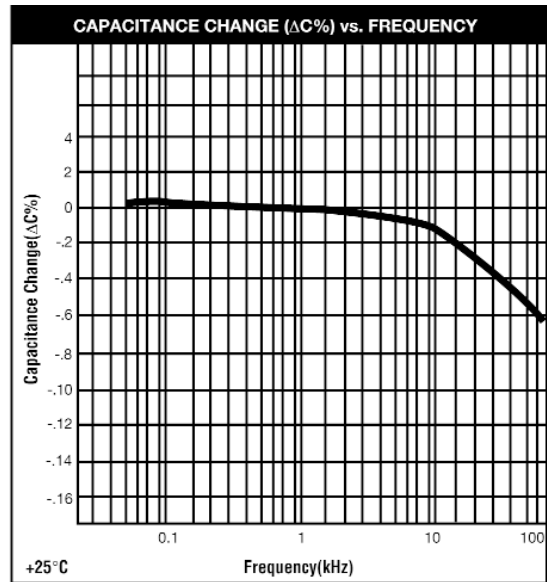
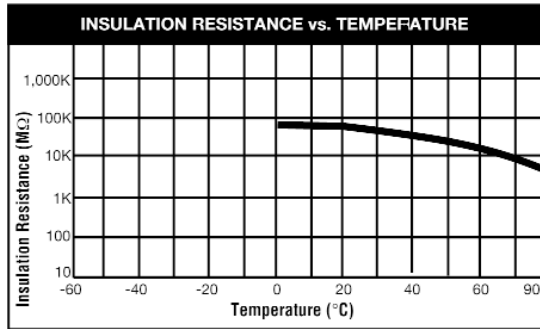
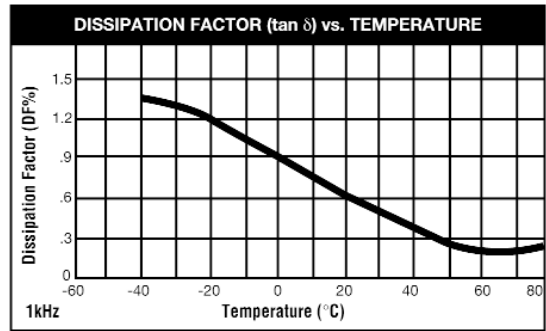
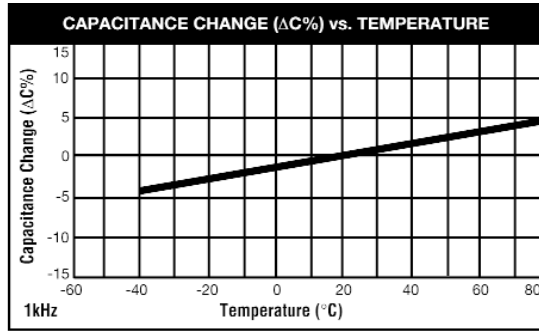
STANDARD PART LISTING

Capacitance (µF)	WVDC	ic [®] PART NUMBER	dv/dt (v/µs)	L Max.	H Max.	T Max.	S Lead Spacing	d Lead Wire Diameter
.001	100	102UMR100K	10	5.5	10.5	3.0	3.5	0.5
.0015	100	152UMR100K	10	5.5	10.5	3.0	4.0	0.5
.0022	100	222UMR100K	10	5.5	10.5	3.0	4.0	0.5
.0033	100	332UMR100K	10	5.5	10.5	3.0	4.0	0.5
.0039	100	392UMR100K	10	5.5	10.5	3.0	4.0	0.5
.0047	100	472UMR100K	10	5.5	10.5	3.0	4.0	0.5
.0056	100	562UMR100K	10	5.5	10.5	3.0	4.0	0.5
.0068	100	682UMR100K	10	5.5	10.5	3.0	4.0	0.5
.01	100	103UMR100K	10	6.5	10.5	3.0	5.0	0.5
.015	100	153UMR100K	10	6.5	11.5	3.0	5.0	0.5
.022	100	223UMR100K	10	6.5	11.5	3.5	5.0	0.5
.033	100	333UMR100K	10	7.5	11.5	3.5	6.5	0.5
.047	100	473UMR100K	10	7.5	12.5	4.5	6.5	0.5
.056	100	563UMR100K	10	9.0	12.5	4.5	7.0	0.5
.068	100	683UMR100K	10	9.0	12.5	4.5	7.0	0.5
.1	100	104UMR100K	10	10.0	12.5	5.5	7.5	0.5
.15	100	154UMR100K	10	12.5	18.5	6.0	8.5	0.5
.22	100	224UMR100K	10	12.5	18.5	6.0	8.5	0.6
.33	100	334UMR100K	10	15.0	19.5	8.0	9.5	0.6
.47	100	474UMR100K	10	18.5	19.5	11.5	10.0	0.6

Convert to inches, divide by 25.4



ENVIRONMENTAL/ENDURANCE DATA



NOTE: These graphs reflect typical measurements.

RADIAL LEAD TAPING SPECIFICATIONS

GENERAL SPECIFICATIONS

FILM CAPACITORS BODY SIZE:

Maximum Body Length (L): 10.5 mm

Minimum Body Height (Hc): 12.5 mm

Maximum Body Thickness (T): 6.5 mm

INTERRUPTION OF SEQUENCE: No consecutive capacitors may be absent. Empty spaces < 0.1% of package quantity.

SPLICES: Spliced tape strength is equal to non-spliced tape

Splice thickness is ≤ 4 single tape layers

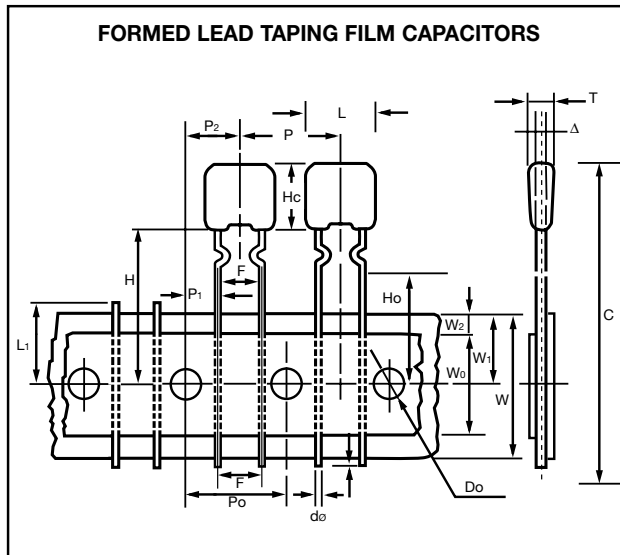
Splice offset $\pm .3$ mm

REFERENCE STANDARD: EIA RS 468A

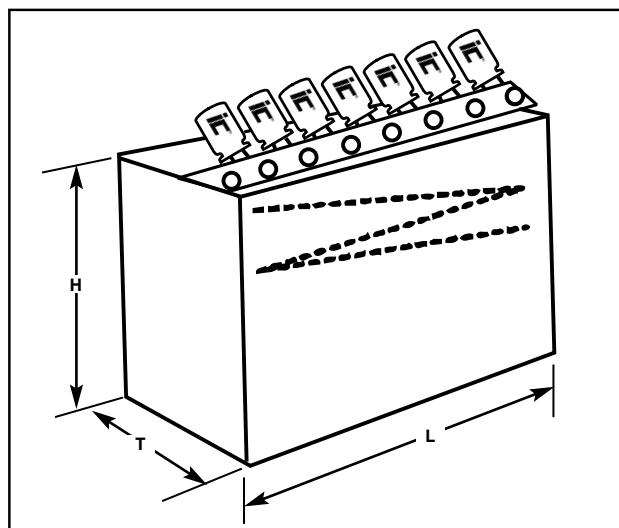
TAPE REFERENCE DIMENSIONS		
Carrier Width (W)	18.0	± 0.5
Capacitor Bottom to Feed Hole (H)	20.0	$\pm .75$
Height of Seating Plane (Formed Lead) H _o	16.0	± 0.5
Lead Spacing: (Formed) (F)	5.0	± 0.5
Capacitor Pitch (P)	12.7	± 1.00
Sprocket Hole Pitch (P _o)	12.7	± 0.30
Sprocket Hole Dia. (F)	4.0	± 0.30
Front Back Alignment (Δ)	0	± 1.00
Case Top to Feed Hole (H1)	32.0	Max.
Sprocket Hole to First Lead (P ₁)	3.85	$\pm .70$
Lead Extension (I)	2.2	Max.
Component Tape Width (C)	43.2	Max.
Cut Out Length (L _c)	11.0	Max.
Sprocket Hole Position (W)	9.0	± 0.5

QUANTITIES PER BOX

Capacitance (μ F)	Ammo
.001 - .0082	3,500
.010 - .012	3,000
.015 - .027	3,000
.032 - .047	2,000
.056 - .068	1,500
.082 - .1	1,000



AMMO PACKAGING



BOX DIMENSIONS			mm
L (max)	H (max)	T (max)	
340	360	65	