

SPECIFICATIONS

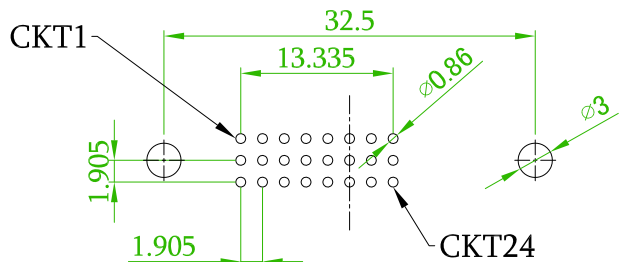
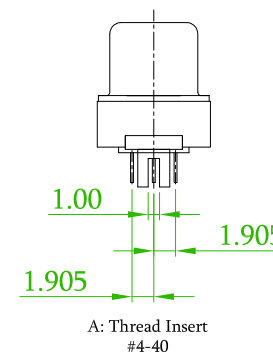
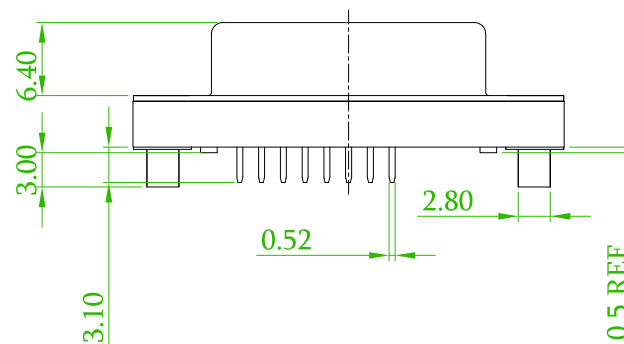
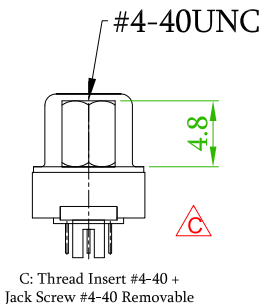
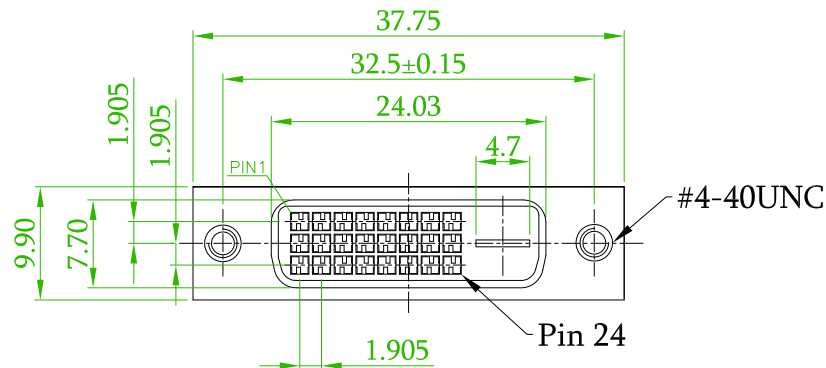
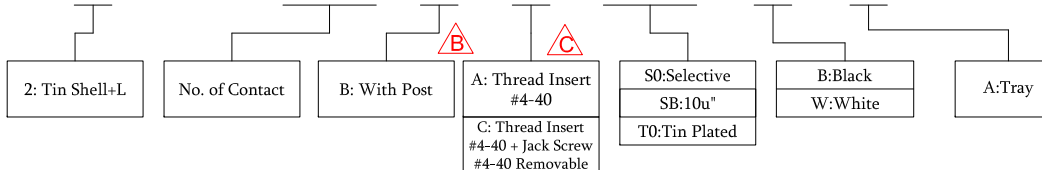
Current Rating: 3 AMP
 Insulation Resistance: 5000MΩ Min.
 Contact Resistance: 25mΩ Max.
 Dielectric Voltage: 1000V AC for one minute
 Operation Temperature: -55° to +85°C

MATERIAL

Insulator: Nylon 66, UL94V-0
 Contact Pin: Copper Alloy

ORDER INFORMATION

5 7 D V D S 2 F - 2 4 B X X X A - 0 3



Recommended PCB Layout
 (PCB TOLERANCE ±0.1)

△x2	Add an option: C: Thread Insert #4-40 + Jack Screw #4-40 Removable.	Gary	2019/03/06
△x3	ECN NO.: 181107, revise the p/n: 57DVDS2F-24NAXXXA-01 -> 57DVDS2F-24BAXXXA-03.	Gary	2018/12/25
REV.	ECN NO. OR DESCRIPTION	REVISED	DATE

 耀德精密有限公司 Amtek Technology Co., Ltd. TEL: 886-2-2268-8036 FAX: 886-2-2268-8035	品名 TITLE	DVI 24+0 V/T DIP TYPE			頁數 Page	1/1	
	品號 PART NO.	△ 57DVDS2F-24BAXXXA-03	繪圖 DRAWN	Gary 2017/11/29			
	圖號 DRAWING NO.	GN010-GA815	版本 REV.	C	核對 CHECKED	Josh 2019/03/06	
	客戶品號 CUSTOMER P/N		比例 SCALE	None	承認 APPROVED	Josh 2019/03/06	
	公差 TOLERANCE	±0.25	單位 UNIT	mm	THIRD ANGLE PROJECTION		