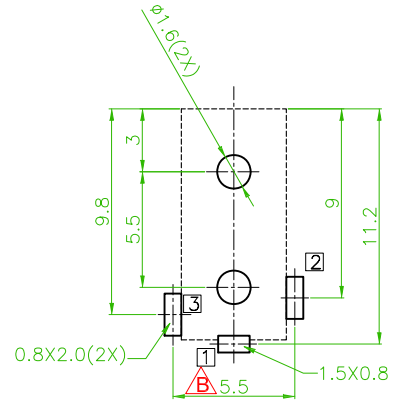
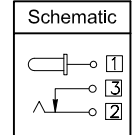
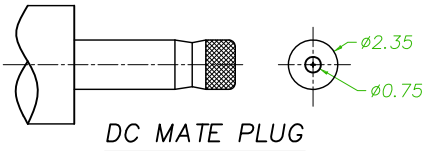
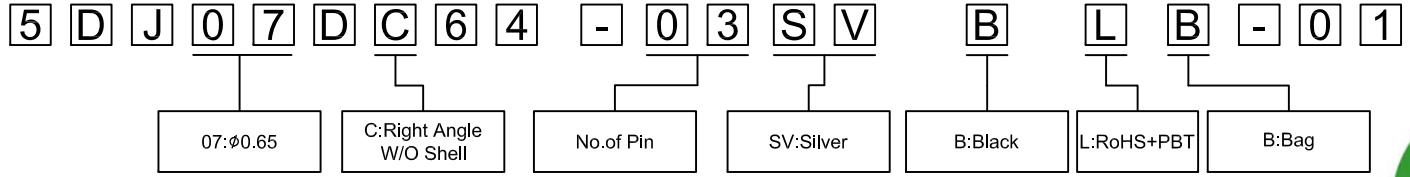


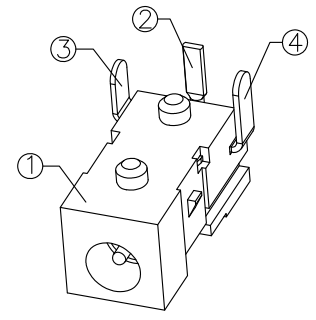
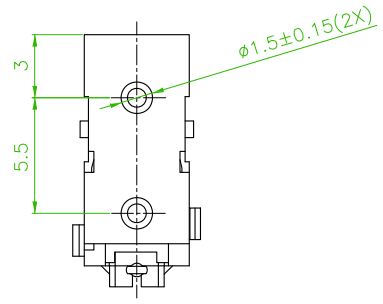
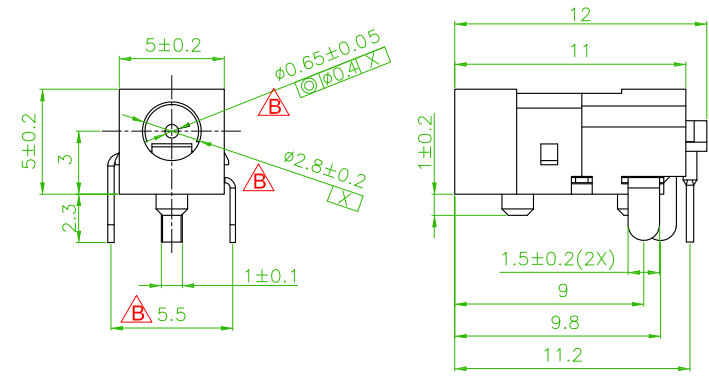
SPECIFICATIONS

Rating: DC 12V 2A
 Contact Resistance: 50mΩ Max.
 Insulator Resistance: 100MΩ Min.
 Dielectric Voltage:500V AC for minute
 Operation Temperature:-20°C to +70°C
 Life Cycle:5000 Cycles

ORDER INFORMATION



Recommended PCB Layout(Bottom View)



④	Shunt terminal	③	1	Brass t0.3	Silver plating
③	Tip spring	②	1	Beryllium bronze t0.25	Silver plating
②	Center pin	①	1	Bronze	Silver plating
①	Housing		1	PBT	Black
NO.	DESCRIPTION	QTY	MATERIAL	REMARK	

Old Part No. :DCJ065-00110SVB-XX-L

<p>Amtek Technology Co., Ltd. TEL: 886-2-2260-6878 FAX: 886-2-2260-8030</p>	品名 TITLE	DC POWER JACK				頁數 Page	1/1
	品號 PART NO.	5DJ07DC64-03SVBLB-01			繪圖 DRAWN	Roy 2017/08/04	
	圖號 DRAWING NO.	GN013-RL921		版本 REV.	B	核對 CHECKED	Josh 2017/12/07
	客戶品號 CUSTOMER P/N			比例 SCALE	None	承認 APPROVED	Jason 2017/12/07
	公差 TOLERANCE	±0.3	X°±2°	單位 UNIT	mm	THIRD ANGLE PROJECTION	

REV.	ECN NO. OR DESCRIPTION	REVISED	DATE
△x4	ECN NO.:171112 1. Revised the Pitch change5.8>5.5 2. Hole tolerance change±0.04>±0.05	Andy	2017/12/07