

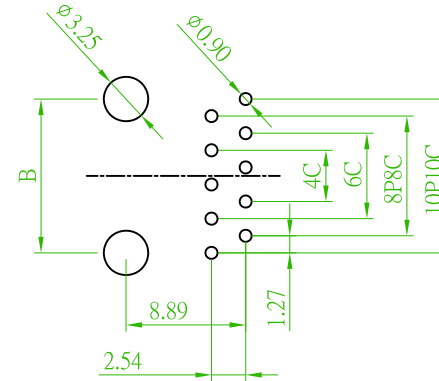
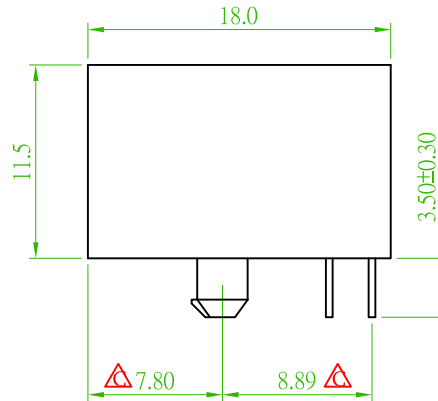
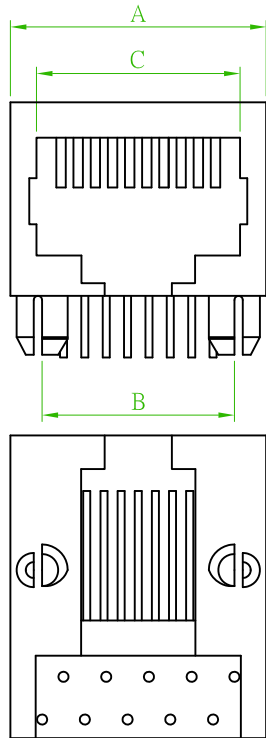
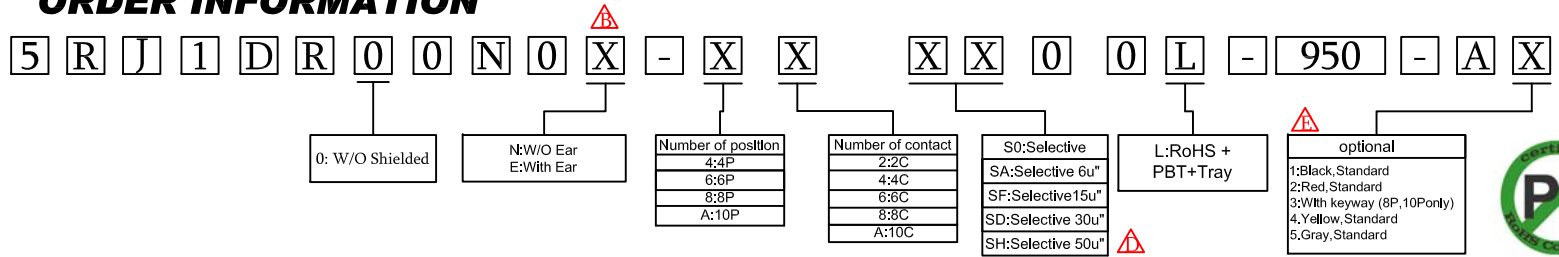
MATERIAL & FINISH

HOUSING: glass fiber, PBT, UL94V-0, BLACK
 Soldering Temperature:200°C / 5~10 Sec
 CONTACT: 0.35 mm thickness phosphor bronze,
 Gold plated over Nickel on contact area,
 Tin plated over Nickel on solder area.

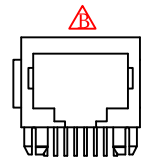
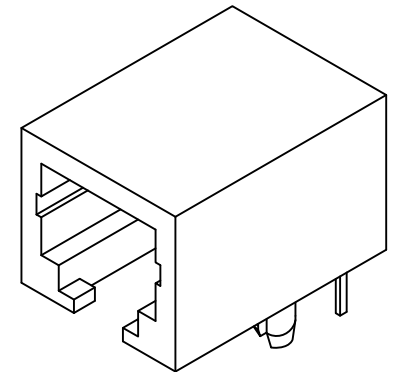
ELECTRICAL

Voltage Rating:125 V
 Current Rating:1.5 A
 Contact Resistance:30mΩ Max.
 Insulation Resistance:500MΩ Min.
 Dielectric Voltage:1000V

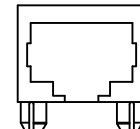
ORDER INFORMATION



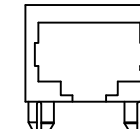
Recommended PCB Layout
 (PCB TOLERANCE ±0.05)



With Ear



Without Ear



With keyway
 (8P, 10P only)

POSITION	CONTACT	A	B	C
4P	4C	11.20	7.62	7.80
6P	2C/4C/6C	13.20	10.16	10.00
8P	8C	15.20	11.43	12.00
10P	10C	15.20	11.43	12.00

Old Part No.:950-L

REV.	ECN NO. OR DESCRIPTION	REVISED	DATE
△x1	Add the Color	Roy	2019/02/14
△x1	ECN NO.:180605,Revise the Plated:S5->SH	Mia	2018/10/01
△x2	ECN NO.:180106,Revise the Dim.8mm->7.8mm	Mia	2018/03/26

TEL: 886-2-2260-6878
 FAX: 886-2-2260-8030

品名 TITLE		MODULAR JACK SIDE ENTRY H=11.5 W=18.0				頁數 Page
品號 PART NO.	5RJ1DR00N0X-XXXX00L-950-AX	繪圖 DRAWN	Jeff		1/1	
圖號 DRAWING NO.	GW005-AA059	版本 REV.	E	核對 CHECKED	Josh 2015/09/16	
客戶品號 CUSTOMER P/N		比例 SCALE	None	承認 APPROVED	Josh 2019/02/14	
公差 TOLERANCE	.X ±0.25 .XX ±0.20	單位 UNIT	mm	THIRD ANGLE PROJECTION		