

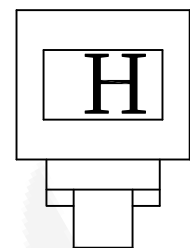
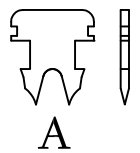
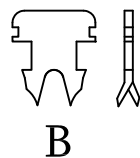
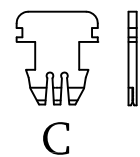
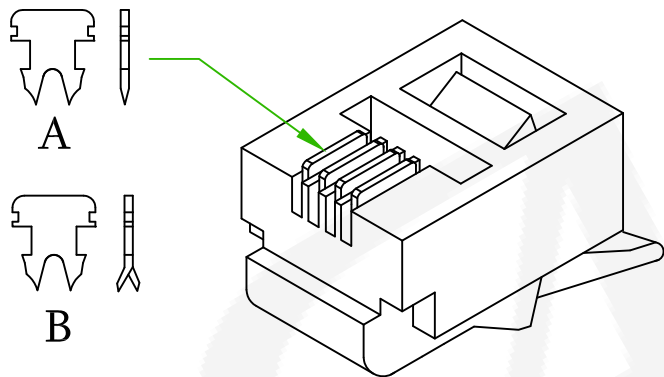
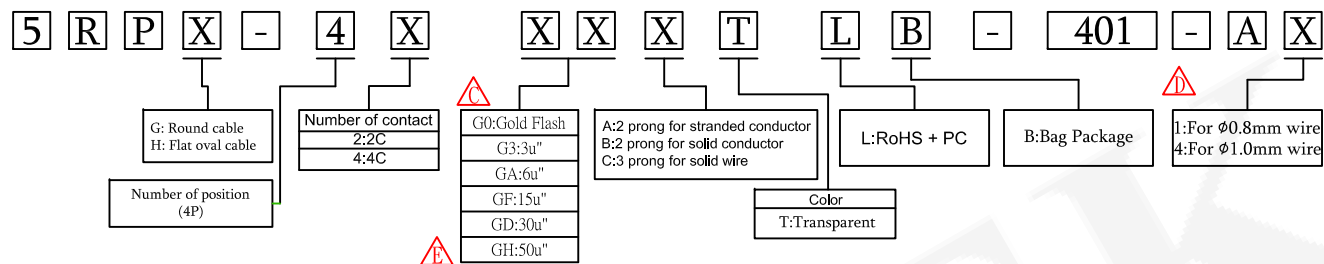
SPECIFICATIONS

Current Rating: 1.5A
 Voltage Rating: 125 volts AC
 Contact Resistance: 20mΩ min.
 Insulation Resistance: 500MΩ.
 Dielectric Withstanding Voltage: 1000V AC.
 Durability:750 cycles min.
 Temp. Rating:0°C to +85°C

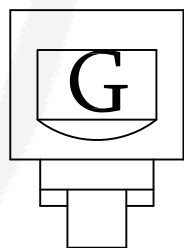
MATERIAL & FINISH

Housing: PC, UL94V-2
 Contacts: Copper Alloy,
 Plated with Gold.

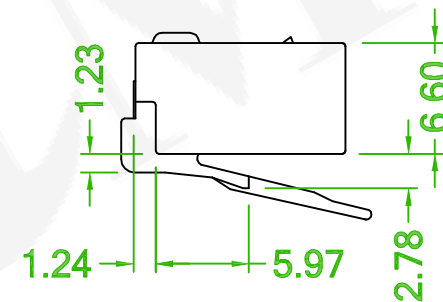
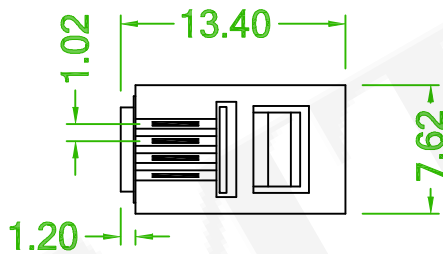
ORDER INFORMATION



Flat oval cable

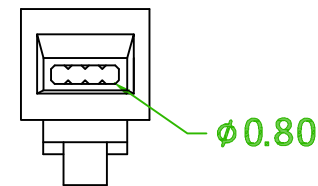
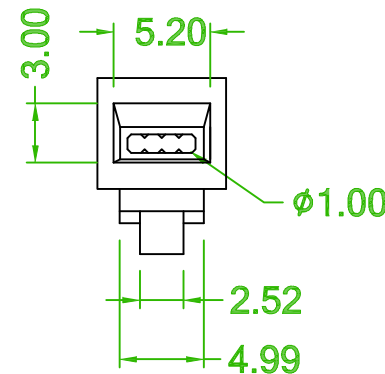


Round cable



△ 5RPX-4XXXXTLB-401-A4

5RPX-4XXXXTLB-401-A1



Old Part No.:100X-4P-L

△ x1	ECN NO: 180605, Revise the plated : G5->GH	Eric	2018/11/22
△ x2	Add the option : 4:For Ø1.0mm wire	Roy	2018/04/24
△ x1	Add the Plated:G0	Kilin	2017/10/16
△ x2	Revise the drawing	Mia	2016/10/03
REV.	ECN NO. OR DESCRIPTION	REVISED	DATE

糧德精密有限公司
 Amtek Technology Co., Ltd.
 TEL: 886-2-2260-6878
 FAX: 886-2-2260-8030

品名 TITLE	MODULAR PLUG 4 POSITION				頁數 Page	1/1
品號 PART NO.	5RPX-4XXXXTLB-401-AX △				繪圖 DRAWN	Jeff 2015/09/16
圖號 DRAWING NO.	GW005-KL163	版本 REV.	E	核對 CHECKED	Josh 2018/11/22	
客戶品號 CUSTOMER P/N		比例 SCALE	None	承認 APPROVED	Jason 2018/11/22	
公差 TOLERANCE	±0.10	單位 UNIT	mm	THIRD ANGLE PROJECTION		