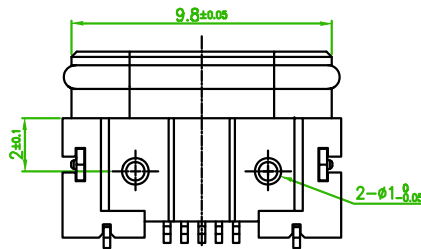
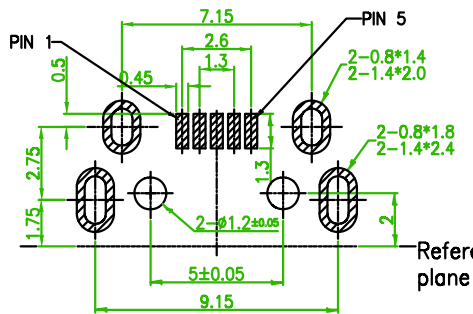
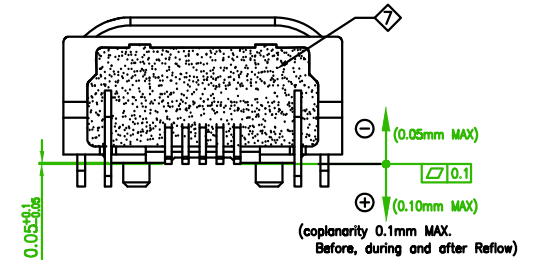
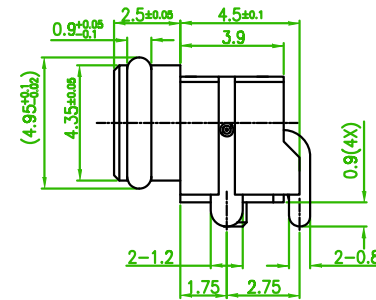
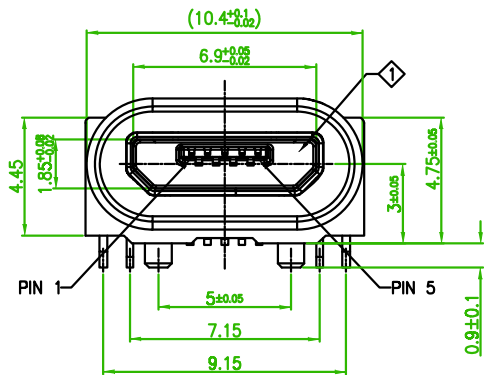
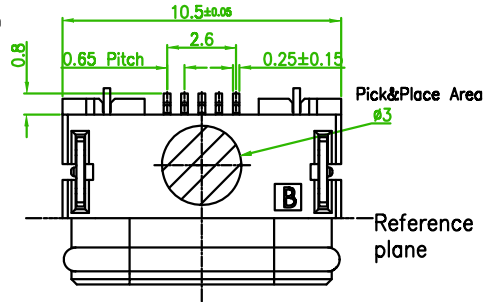
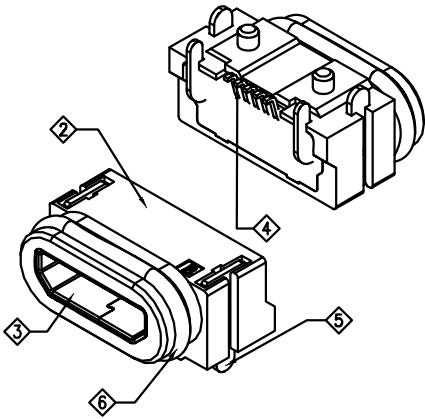
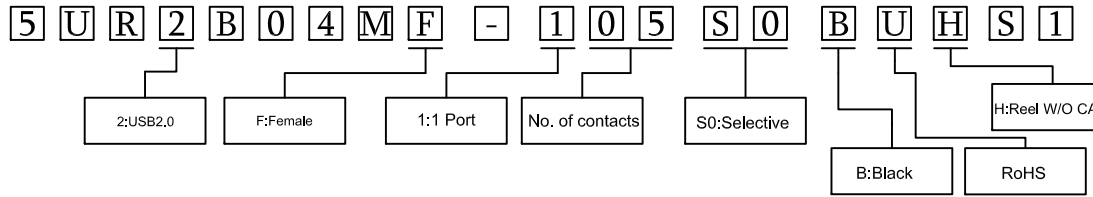


SPECIFICATIONS:

- ELECTRICAL CHARACTERISTICS:**
 - 1-1. RATING: 1.8A (PIN1/5), 0.5A (PIN2/3/4)
 - 1-2. CONTACT RESISTANCE: 30mΩ MAX.(INITIAL)
 - 1-3. DIELECTRIC WITHSTANDING VOLTAGE: 300V AC FOR ONE MINUTE.
 - 1-4. INSULATION RESISTANCE: 100MΩ MIN. MEASURED BY 500 VDC
- MECHANICAL CHARACTERISTICS:**
 - 2-1. INSERTION FORCE : 3.6 KGF (MAX)
 - 2-2. WITHDRAWAL FORCE : 0.8 KGF(Reference)
- DURABILITY: 10,000 CYCLES .**
- WATER PROOFNESS:THIS PRODUCT IS BASED ON IPX7(1m,30min)**
- PLUG INTERFACE DIMENSIONS COMFORM TO USB2.0 SPEC.**
- OVAL RING**
 - 6-1. The amount of low molecular siloxanes(D3~D10)is less than 200ppm
 - 6-2. Hardness of silicone rubber:70°
 - 6-3. Horizontal flash 0.1max;Longitudinal flash 0.10max
- BODY WITH O-RING'S SEAL AREA BURRS IS 0.05mm Max.**
- FOR REFLOW SOLDERING LEAD-FREE PROCESS.**

ORDER INFORMATION



Recommended PCB Layout
Tolerance: ±0.1(Top view)

7	Bond	1	
6	Oval ring	1	
5	TERMINAL	1	SPCC t=0.30 MB:Cu Sn PLATED
4	CONTACT	5	Copper Alloy t=0.20 GOLD FLASH ON CONTACT AREA, TIN 120μ ON SOLDER AREA, ALL OVER NI PLATED
3	SHELL	1	Stainless Steel t=0.25 MB:Cu Ni PLATED
2	COVER	1	PA9T UL94V-0 Black
1	HOUSING	1	LCP UL94V-0 Black
LTR	PART NAME	QTY	MATERIAL REMARK



 糧德精密有限公司 Amtek Technology Co., Ltd. TEL: 886-2-2260-6878 FAX: 886-2-2260-8030	品名 TITLE	WATERPROOF MICRO USB B TYPE FEMALE SMT 5P			頁數 Page	1/1
	品號 PART NO.	5UR2B04MF-105S0BUHS1			繪圖 DRAWN	Roy 2016/04/11
	圖號 DRAWING NO.		版本 REV.	A	核對 CHECKED	Owen 2016/04/11
	客戶品號 CUSTOMER P/N		比例 SCALE	None	承認 APPROVED	John 2016/04/11
	公差 TOLERANCE	± 0.30		單位 UNIT	mm	THIRD ANGLE PROJECTION

REV.	ECN NO. OR DESCRIPTION	REVISED	DATE
------	------------------------	---------	------