

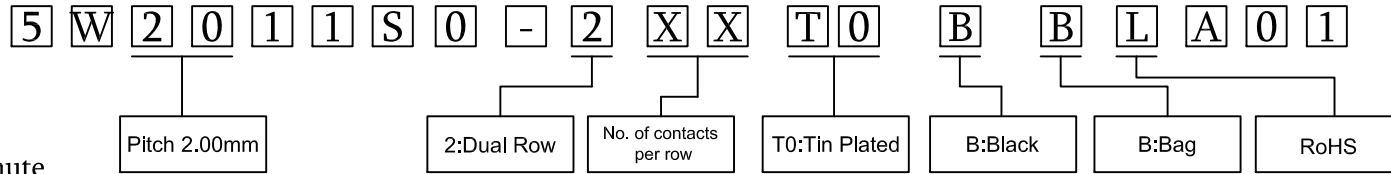
SPECIFICATIONS

Current Rating: 2A AC,DC
 Voltage Rating: 250V AC,DC
 Temperature Range: -25°C ~ +85°C
 Contact Resistance: 20mΩ Max
 Insulation Resistance: 1000MΩ Min
 Withstanding Voltage: 1000V AC/minute

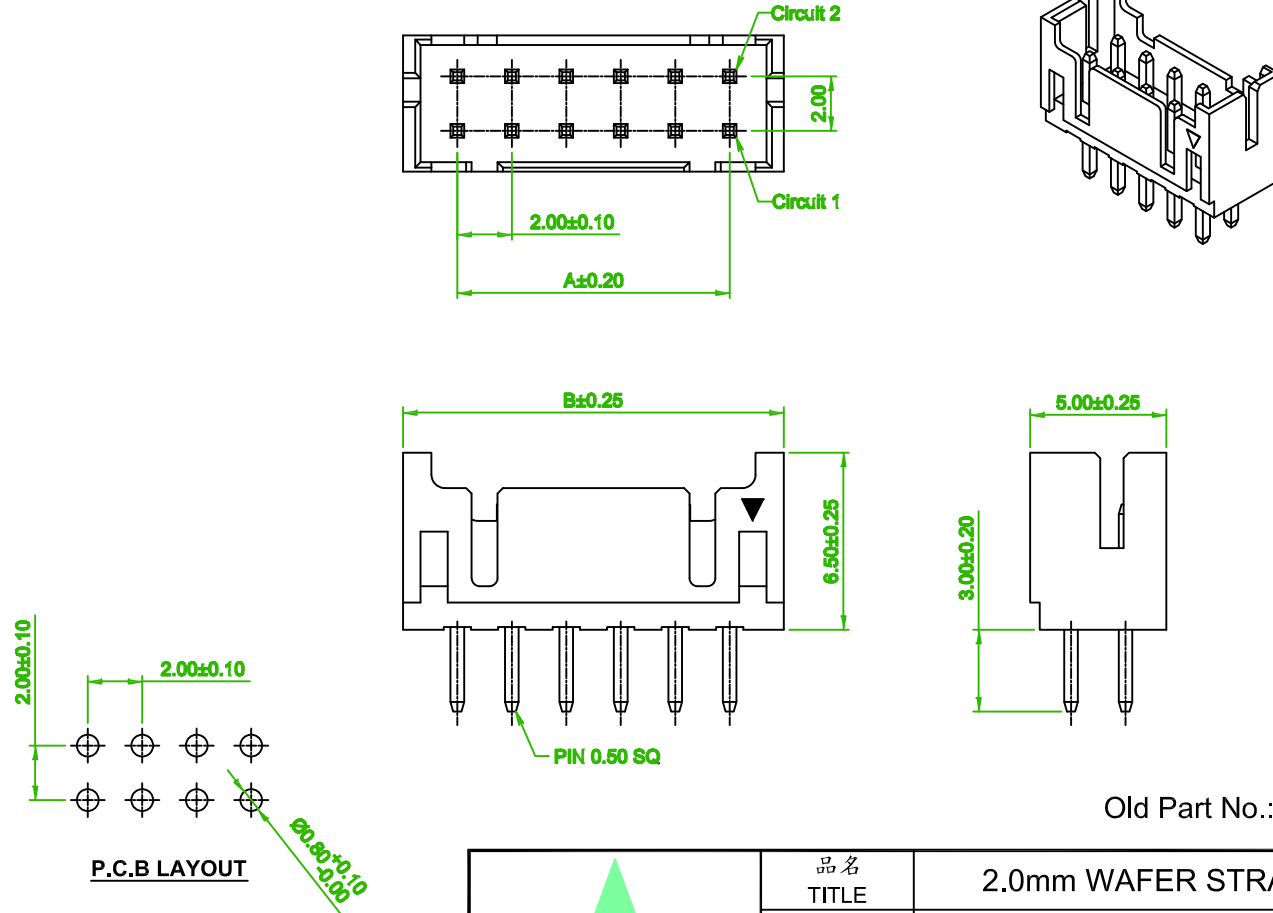
MATERIAL

Pin Material: Brass
 Material: Nylon 66,UL94V-0

ORDER INFORMATION



No. of contacts	Dimensions	
	A	B
2x02	2.00	6.00
2x03	4.00	8.00
2x04	6.00	10.00
2x05	8.00	12.00
2x06	10.00	14.00
2x07	12.00	16.00
2x08	14.00	18.00
2x09	16.00	20.00
2x10	18.00	22.00
2x11	20.00	24.00
2x12	22.00	26.00
2x13	24.00	28.00
2x14	26.00	30.00
2x15	28.00	32.00
2x16	30.00	34.00
2x17	32.00	36.00
2x18	34.00	38.00
2x19	36.00	40.00
2x20	38.00	42.00



Old Part No.:2211S-2XXTB-L

REV.	ECN NO. OR DESCRIPTION	REVISED	DATE

 糧德精密有限公司 Amtek Technology Co., Ltd. TEL: 886-2-2260-6878 FAX: 886-2-2260-8030	品名 TITLE	2.0mm WAFER STRAIGHT			頁數 Page	1/1
	品號 PART NO.	5W2011S0-2XXT0BBLA01			繪圖 DRAWN	Sinnys 2011/06/18
	圖號 DRAWING NO.	GW090-EL040	版本 REV.	A	核對 CHECKED	Sharron 2011/06/18
	客戶品號 CUSTOMER P/N		比例 SCALE	None	承認 APPROVED	James 2011/06/18
	公差 TOLERANCE	.X ± 0.30	單位 UNIT	mm	THIRD ANGLE PROJECTION	
		.XX ± 0.20				