

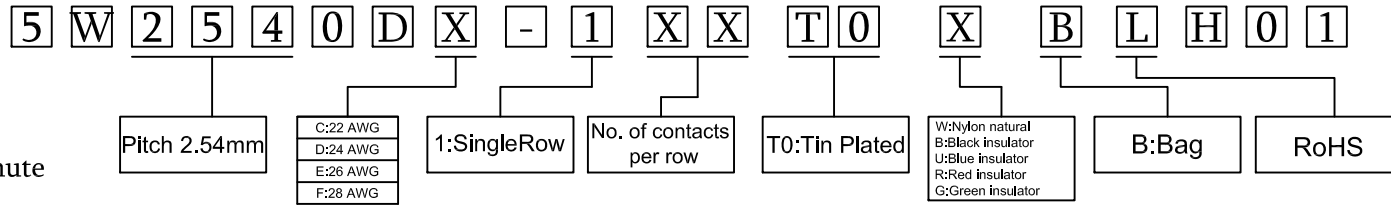
SPECIFICATIONS

Current Rating: 3A AC,DC
 Voltage Rating: 250V AC,DC
 Temperature Range: -40°C ~ +105°C
 Contact Resistance: 10mΩ Max
 Insulation Resistance: 1000MΩ Min
 Withstanding Voltage: 1500V AC/minute

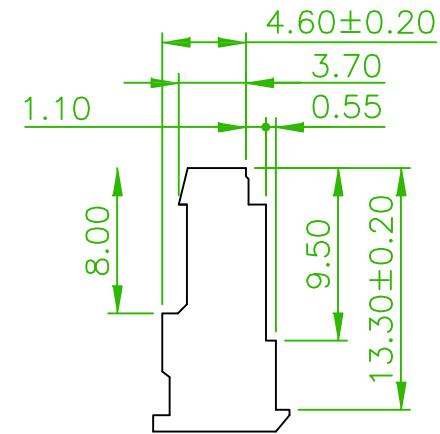
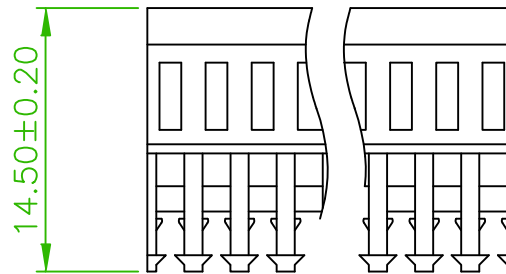
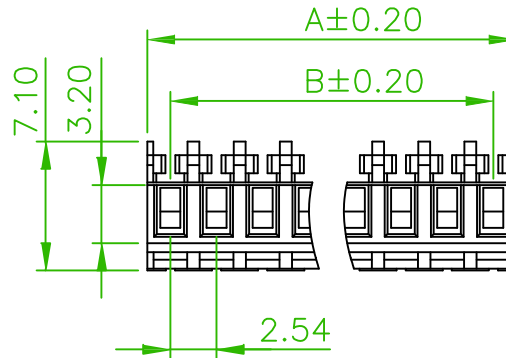
MATERIAL

Material:Nylon 66,UL94V-2

ORDER INFORMATION



No. of contacts	Dimensions		No. of contacts	Dimensions	
	A	B		A	B
02	5.08	2.54	16	40.64	38.10
03	7.62	5.08	17	43.18	40.64
04	10.16	7.62	18	45.72	43.18
05	12.70	10.16	19	48.26	45.72
06	15.24	12.70	20	50.80	48.26
07	17.78	15.24	21	53.34	50.80
08	20.32	17.78	22	55.88	53.34
09	22.86	20.32	23	58.42	55.88
10	25.40	22.86	24	60.96	58.42
11	27.94	25.40	25	63.50	60.96
12	30.48	27.94	26	66.04	63.50
13	33.02	30.48	27	68.58	66.04
14	35.56	33.02	28	71.12	68.58
15	38.10	35.56			



Old Part No.:2540IDC-XX-L

REV.	ECN NO. OR DESCRIPTION	REVISED	DATE

 糧德精密有限公司 Amtek Technology Co., Ltd. TEL: 886-2-2260-6878 FAX: 886-2-2260-8030	品名 TITLE	2.54mm IDC HOUSING				頁數 Page	1/1
	品號 PART NO.	5W2540DX-1XXT0XBLH01			繪圖 DRAWN	Jeff 2012/09/21	
	圖號 DRAWING NO.	GW021-EL112	版本 REV.	A	核對 CHECKED	Paul 2012/09/21	
	客戶品號 CUSTOMER P/N		比例 SCALE	None	承認 APPROVED	James 2012/09/21	
	公差 TOLERANCE	.X ± 0.35	單位 UNIT	mm	THIRD ANGLE PROJECTION		
		.XX ± 0.25					