

ORDER INFORMATION

6 2 S M A S 1 0 - F 5 G 0 W B 0 1

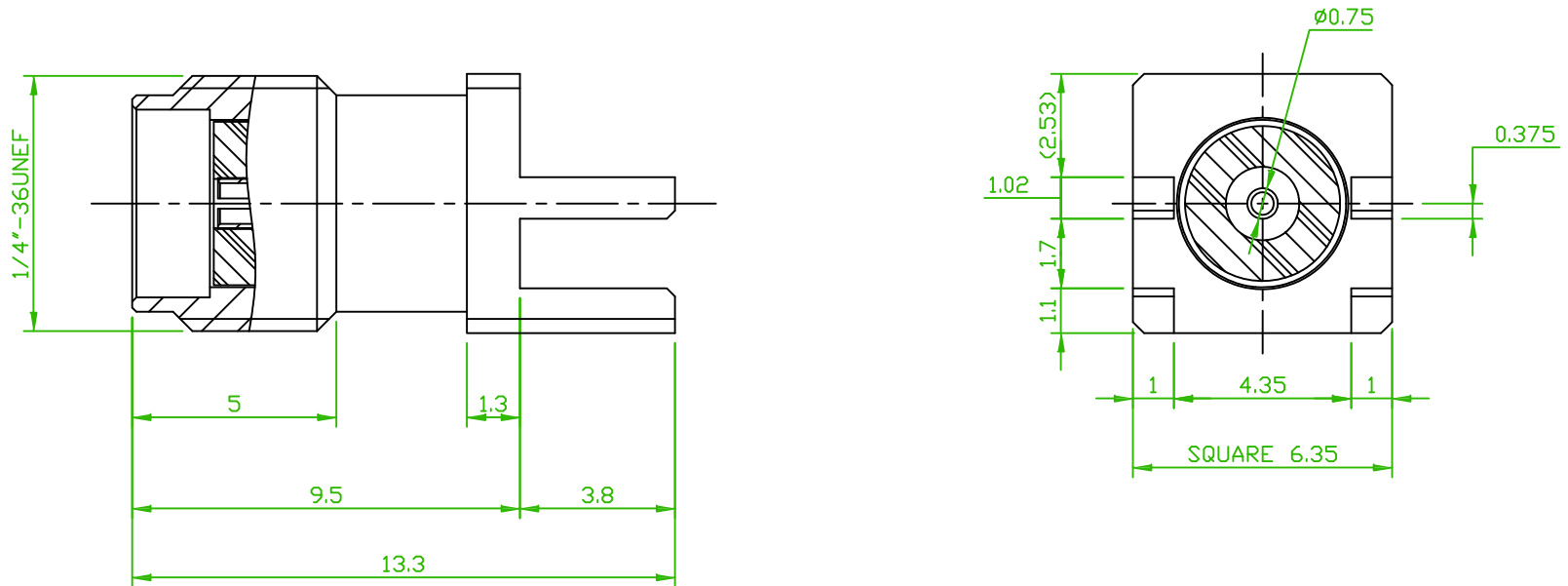
S:PCB 180°

F:Female

5:50Ω

G0:Gold Flash

W:White



03	CENTER PIN	PHOSPHOR BRONZE	1	GOLD 1.5u"
02	INSULATOR	TEFLON	1	
01	BODY	BRASS	1	GOLD 1.5u"
NO	DESCRIPTION	MATERIAL	Q'TY	FINISH

Old Part No. : SMA028-F5GWG-L

REV.	ECN NO. OR DESCRIPTION	REVISED	DATE
------	------------------------	---------	------

糧德精密有限公司
 Amtek Technology Co., Ltd.
 TEL: 886-2-2260-6878
 FAX: 886-2-2260-8030

品名 TITLE	SMA , JACK FOR END LAUNCH			頁數 Page	1/1
品號 PART NO.	62SMAS10-F5G0WB01			繪圖 DRAWN	Joe 2010/12/06
圖號 DRAWING NO.	GW141-MC487	版本 REV.	A	核對 CHECKED	Edward 2010/12/06
客戶品號 CUSTOMER P/N		比例 SCALE	4 : 1	承認 APPROVED	James 2010/12/06
公差 TOLERANCE	.X ± 0.40 .XX ± 0.20	單位 UNIT	mm	THIRD ANGLE PROJECTION	