

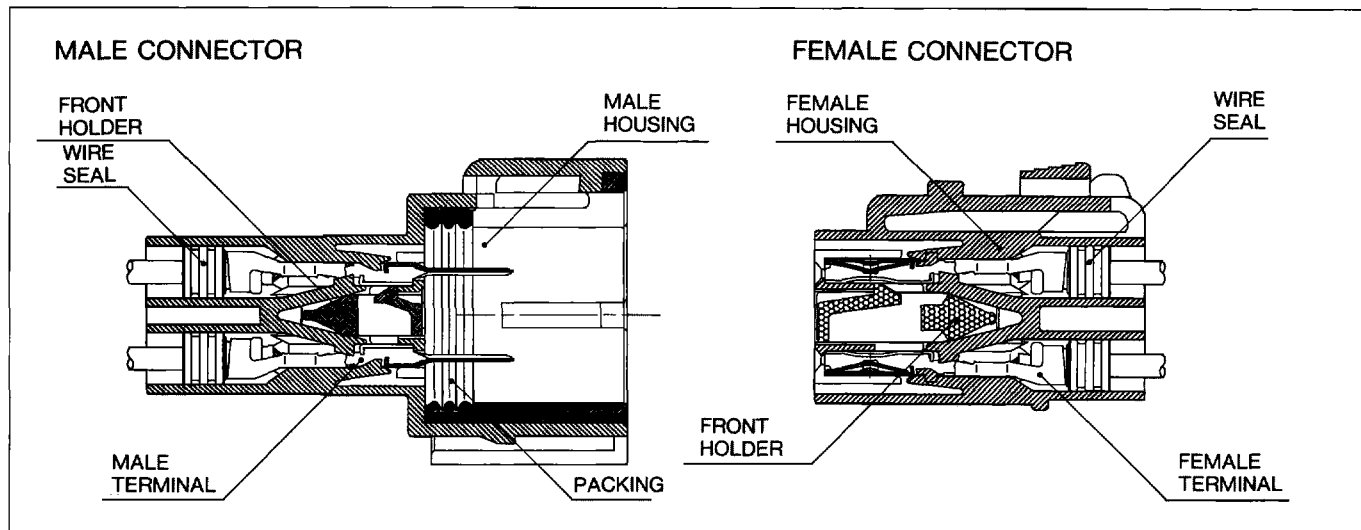
### Z TYPE CONNECTOR:

MINIATURIZATION AND WEIGHT REDUCTION OF THE EXISTING W-TYPE CONNECTOR OF THE 58 SERIES.

#### (DISTINCTIVE FEATURES)

1. INCREASED TOUCH SENSITIVITY AT CONNECTION BY FRONT HOLDER.
2. STABLE/SECURE MATING ACTION BETWEEN MALE AND FEMALE CONNECTORS.

### CONSTRUCTION



### SPECIFICATIONS

HEAVY TYPE TERMINAL PART NUMBER IN PARENTHESIS.

MATERIAL	HOUSING	PBT
	MALE TERMINAL	BRASS (TIN PLATING)
	FEMALE TERMINAL	COPPER ALLOY (TIN PLATING) <BODY: COPPER ALLOY (TIN PLATING), SPRING: COPPER ALLOY (TIN PLATING)>
*CURRENT CAPACITY (REFERENCE)		6A
RESISTANCE AT LOW VOLTAGE		5mΩ MAX. (INITIAL VALUE)
INSULATION RESISTANCE		DC500V 250MΩ MIN.
DIELECTRIC STRENGTH		AC1000V (1 min.)

\*CURRENT CAPACITY WILL BE AFFECTED BY CONDITIONS SUCH AS POLE QUANTITY, WIRE SIZE, AMBIENT TEMPERATURE, ETC.

### PART NUMBER CHART

HEAVY TYPE TERMINAL PART NUMBER IN PARENTHESIS.

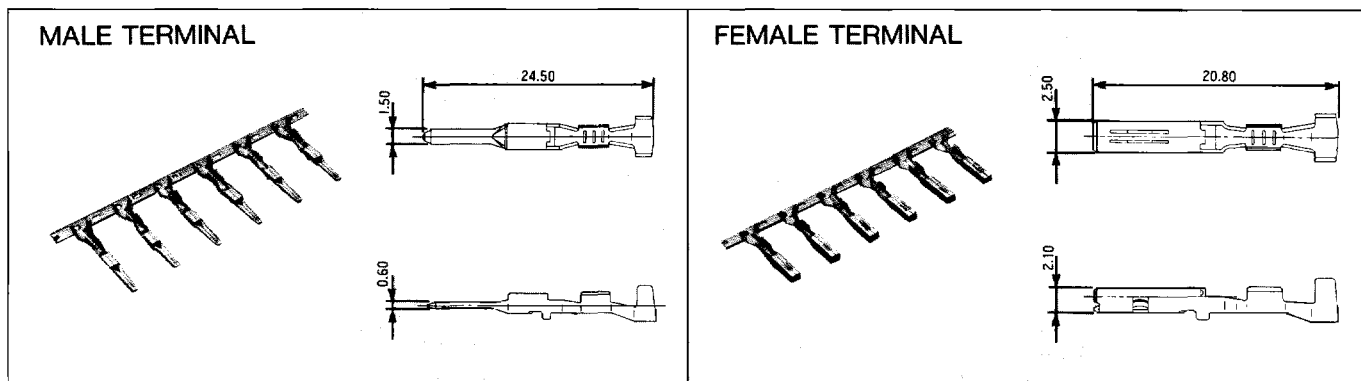
PART NAME	MALE TERMINAL	FEMALE TERMINAL
TERMINAL	7114-1304	7116-1304 (7116-1306)
	7114-1305	7116-1305 (7116-1307)

PART NAME	COMMON FOR MALE AND FEMALE
WIRE SEAL	7157-3790-90
	7157-3791-60
	7257-3792(CAVITY PLUG)

PART NAME	POLES	MALE CONNECTOR		FEMALE CONNECTOR	
		HOUSING	FRONT HOLDER	HOUSING	FRONT HOLDER
HOUSING	2	7222-8520-40	7157-7728	7123-8520-40	7157-7729-60
	2	7222-8521-80	7157-7728	7123-8521-80	7157-7729-60
	3	7222-7730-40	7157-7738	7123-7730-40	7157-7739-60
	4	7222-7740-40	7157-7748-40	7123-7740-40	7157-7749-50
	4	7222-7741-80	7157-7748-40	7123-7741-80	7157-7749-50
	6	7222-7760-40	7157-7768-70	7123-7760-40	7157-7769-50
	8	7222-7780-40	7157-7788	7123-7780-40	7157-7789-60
	8	7222-7781-80	7157-7788	7123-7781-80	7157-7789-60

**TERMINAL**

UNIT:mm

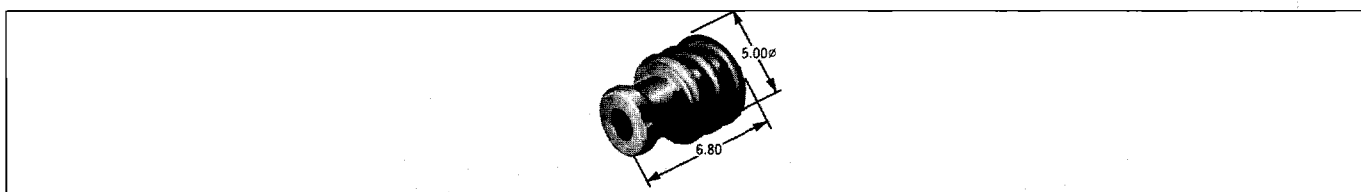


■ SPECIFICATIONS

PART NAME	PART NUMBER	MATERIAL	TREATMENT	MATERIAL THICKNESS
MALE TERMINAL	7114-1304	BRASS	TIN PLATING	t=0.3
	7114-1305			
FEMALE TERMINAL	7116-1304	COPPER ALLOY	TIN PLATING	t=0.25
	7116-1305			
	7116-1306	BODY:BRASS	TIN PLATING	t=0.25
	7116-1307	SPRING:COPPER ALLOY		

**WIRE SEAL**

UNIT:mm



■ SPECIFICATIONS

PART NAME	PART NUMBER	MATERIAL	COLOR	NOTE
WIRE SEAL	7157-3790-90	SILICONE	LIGHT BLUE	
	7157-3791-60	SILICONE	LIGHT GREEN	
	7257-3792	SILICONE	LIGHT BLUE+BLACK	CAVITY PLUG

● APPLICABLE WIRE CHART (TERMINAL·WIRE SEAL)

HEAVY TYPE TERMINAL PART NUMBER IN PARENTHESIS.

PART NAME	WIRE SIZE (mm <sup>2</sup> )	WIRE TYPE	PART NUMBER	PART NUMBER OF WIRE SEAL
MALE TERMINAL	0.3	AVS	7114-1304	7157-3790-90
		CAVS	7114-1304	7157-3790-90
	0.5	AVS	7114-1305	7157-3791-60
		CAVS	7114-1305	7157-3790-90
	0.85	AVS	7114-1305	7157-3791-60
		CAVS	7114-1305	7157-3791-60
FEMALE TERMINAL	0.3	AVS	7116-1304 (7116-1306)	7157-3790-90
		CAVS	7116-1304 (7116-1306)	7157-3790-90
	0.5	AVS	7116-1305 (7116-1307)	7157-3791-60
		CAVS	7116-1305 (7116-1307)	7157-3790-90
	0.85	AVS	7116-1305 (7116-1307)	7157-3791-60
		CAVS	7116-1305 (7116-1307)	7157-3791-60

HOUSING MATERIAL: PBT

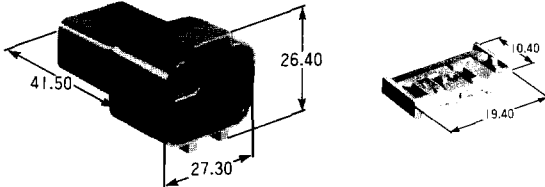
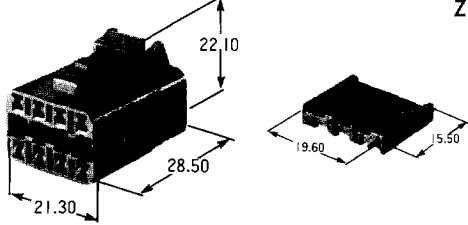
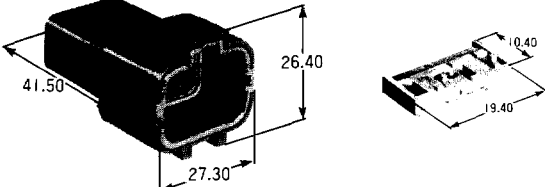
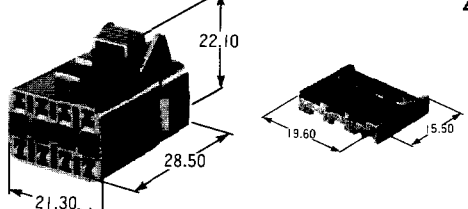
UNIT: mm

POLES	MALE HOUSING	FEMALE HOUSING
2	<p>Z02MGY</p> <p>7222-8520-40(7157-7728)</p>	<p>Z02FGY</p> <p>7123-8520-40(7157-7729-60)</p>
2	<p>Z02MBR</p> <p>7222-8521-80(7157-7728)</p>	<p>Z02FBR</p> <p>7123-8521-80(7157-7729-60)</p>
3	<p>Z03MGY</p> <p>7222-7730-40(7157-7738)</p>	<p>Z03FGY</p> <p>7123-7730-40(7157-7739-60)</p>
4	<p>Z04MGY</p> <p>7222-7740-40(7157-7748-40)</p>	<p>Z04FGY</p> <p>7123-7740-40(7157-7749-50)</p>
4	<p>Z04MBR</p> <p>7222-7741-80(7157-7748-40)</p>	<p>Z04FBR</p> <p>7123-7741-80(7157-7749-50)</p>
6	<p>Z06MGY</p> <p>7222-7760-40(7157-7768-70)</p>	<p>Z06FGY</p> <p>7123-7760-40(7157-7769-50)</p>

FRONT HOLDER PART NUMBER IN PARENTHESIS.

UNIT:mm

**HOUSING MATERIAL:PBT**

POLES	MALE HOUSING	FEMALE HOUSING
8	<p style="text-align: right;">Z08MGY</p>  <p style="text-align: center;">7222-7780-40(7157-7788)</p>	<p style="text-align: right;">Z08FGY</p>  <p style="text-align: center;">7123-7780-40(7157-7789-60)</p>
8	<p style="text-align: right;">Z08MBR</p>  <p style="text-align: center;">7222-7781-80(7157-7788)</p>	<p style="text-align: right;">Z08FBR</p>  <p style="text-align: center;">7123-7781-80(7157-7789-60)</p>

FRONT HOLDER PART NUMBER IN PARENTHESIS.