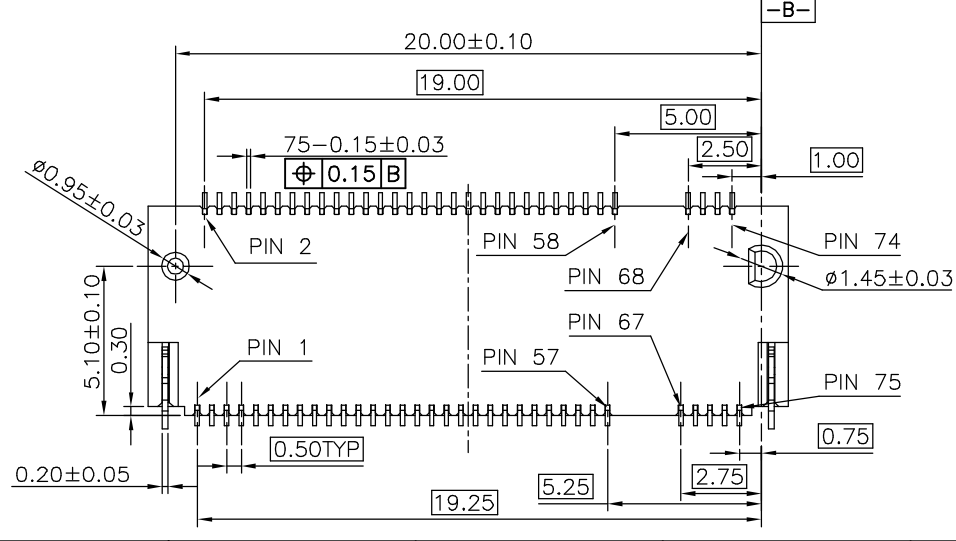
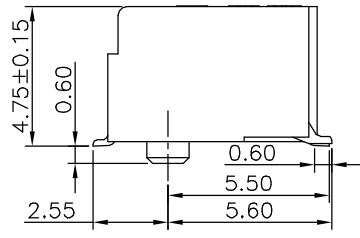
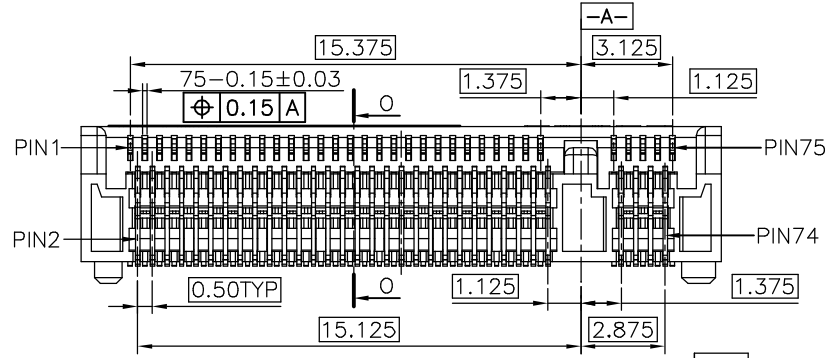
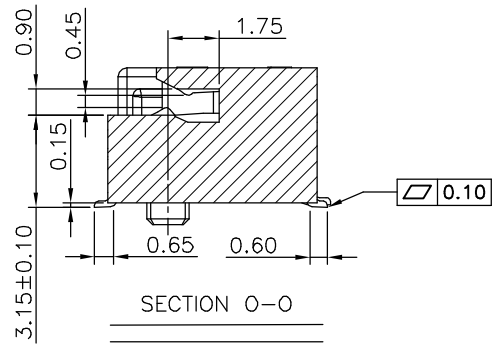
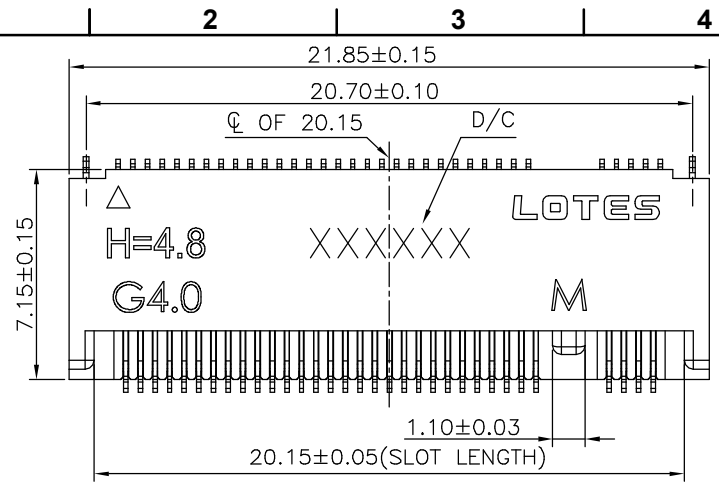


REV.	ECR/N NO./DESCRIPTION	DATE	DRAWN	CHECKED	APPROVE
1	SN19111	07/29'19	Xin.Wu	Vito	Frank
1A	SR20***	09/03'20	Nan.Zhou	Vito	Herch
1B	SR20***	09/21'20	Nan.Zhou	Vito	Herch



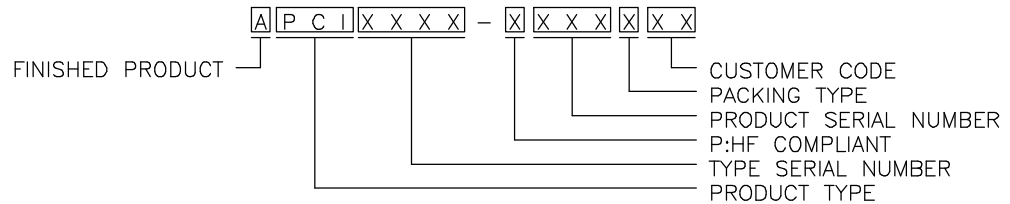
GENERAL TOLERANCES UNLESS SPECIFIED		PART NO. SEE TABLE	<b>LOTES</b>		
X ± 0.35	X° ± 3°				
.XX ± 0.25	.X° ± 2°		APPROVED BY Frank		
.XXX ± 0.15	.XX° ± 1°	CHECKED BY Vito		DWG NO. AP-APCI0557	
SIZE A4	UNITS MM [INCH]	DRAWN BY Xin.Wu		SHEET 1 / 5	
				SCALE 4:1	
				REV 1B	

TABLE:

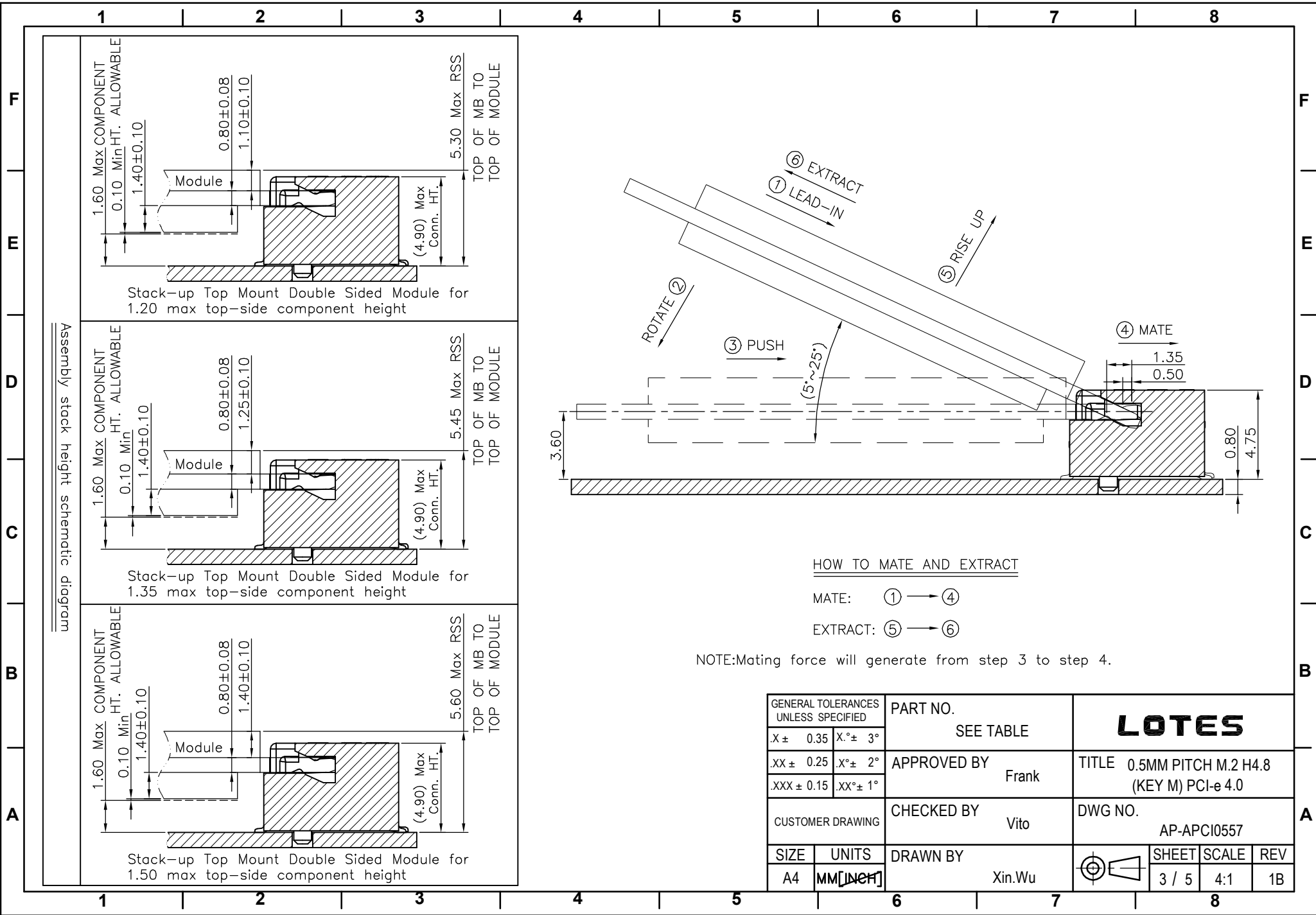
NO.	PART NO.	DESCRIPTION	DURABILITY
1	APCI0557-P001A01	GOLD G/F ON CONTACT AREA	25 CYCLES
		GOLD G/F ON SOLDER AREA	
2	APCI0557-P002A01	GOLD 10u" ON CONTACT AREA	25 CYCLES
		GOLD G/F ON SOLDER AREA	
3	APCI0557-P003A01	GOLD 15u" ON CONTACT AREA	25 CYCLES
		GOLD G/F ON SOLDER AREA	
4	APCI0557-P004A01	GOLD 30u" ON CONTACT AREA	60 CYCLES
		GOLD G/F ON SOLDER AREA	

Notes:

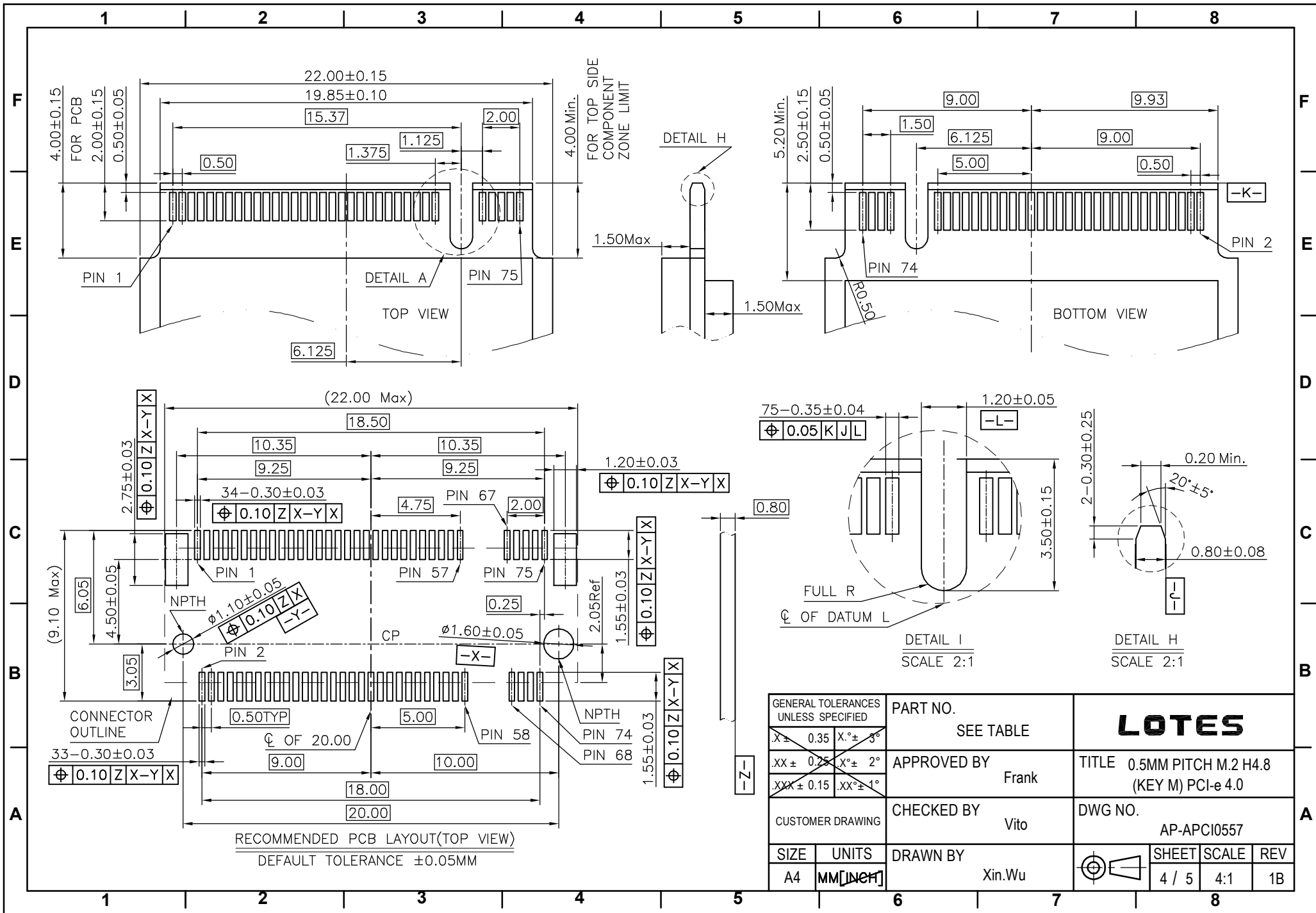
1. MATERIAL SPECIFICATION:
  - 1.1. HOUSING:LCP,UL94V-0,COLOR:BLACK.
  - 1.2. CONTACT:COPPER ALLOY.
  - 1.3. PEG:S50C.
2. PLATING SPECIFICATION:
  - 2.1. CONTACT:50u" MIN.NICKEL UNDER PLATING OVER ALL. G/F" PLATING ON SOLDER AREA. GOLD PLATING ON CONTACT AREA:SEE TABLE
  - 2.2. PEG:50u" MIN. NICKEL UNDER PLATING OVER ALL. 80u" MIN. MATTE TIN PLATING ON SOLDER AREA.
3. HF COMPLIANT, RoHS COMPLIANT.
4. DATE CODE: XX XX XX  
 DAY  
 WEEK  
 YEAR
5. MECHANICAL PERFORMANCE:
  - 5.1. DURABILITY: SEE TABLE
6. ELECTRICAL PERFORMANCE:
  - 6.1. CURRENT: 0.5A PER PIN.
  - 6.2. LLCR: INITIAL 55mΩ MAX.;FINAL ΔLLCR=20mΩ MAX.
7. IR REFLOW:  
 THE TEMPERATURE SHALL BE 260±5°C MAINTAINING 10±1 SECONDS.
8. PRODUCT NUMBER NOTE:

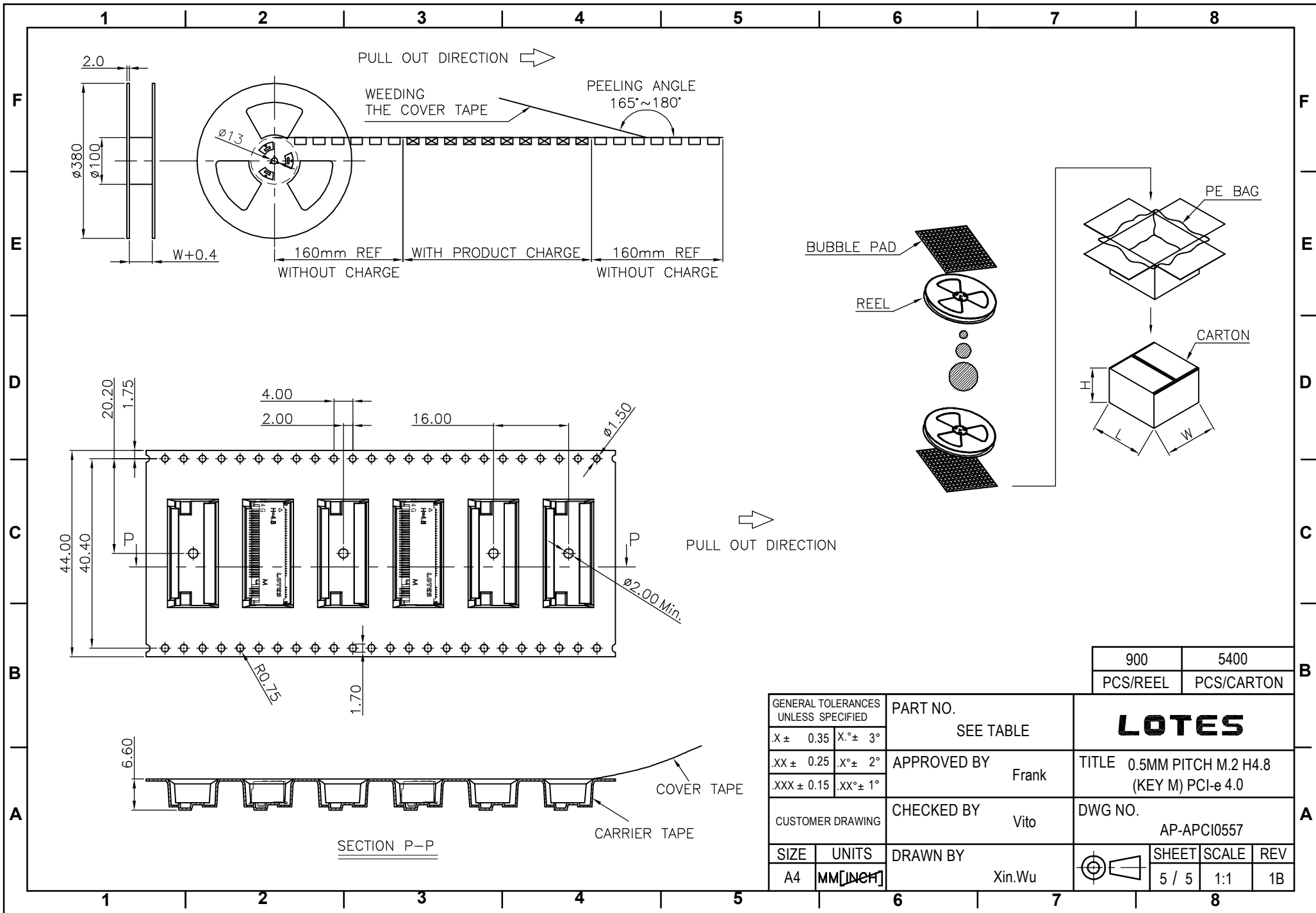


GENERAL TOLERANCES UNLESS SPECIFIED		PART NO. SEE TABLE	<b>LOTES</b>					
X ± 0.35	X° ± 3°					APPROVED BY Frank	TITLE 0.5MM PITCH M.2 H4.8 (KEY M) PCI-e 4.0	
XX ± 0.25	X° ± 2°							
XXX ± 0.15	.XX° ± 1°							
CUSTOMER DRAWING		CHECKED BY Vito	DWG NO. AP-APCI0557					
SIZE A4	UNITS MM [INCH]	DRAWN BY Xin.Wu		SHEET 2 / 5	SCALE 4:1	REV 1B		



GENERAL TOLERANCES UNLESS SPECIFIED		PART NO. SEE TABLE	<b>LOTES</b>		
X ± 0.35	X° ± 3°				
XX ± 0.25	X° ± 2°		APPROVED BY Frank		
XXX ± 0.15	.XX° ± 1°	CHECKED BY Vito	DWG NO. AP-APCI0557		
SIZE A4	UNITS MM [INCH]	DRAWN BY Xin.Wu	SHEET 3 / 5		
			SCALE 4:1	REV 1B	





900	5400
PCS/REEL	PCS/CARTON

GENERAL TOLERANCES UNLESS SPECIFIED		PART NO. SEE TABLE	<b>LOTES</b>		
$.X \pm 0.35$	$X^\circ \pm 3^\circ$				
$.XX \pm 0.25$	$X^\circ \pm 2^\circ$		APPROVED BY Frank	TITLE 0.5MM PITCH M.2 H4.8 (KEY M) PCI-e 4.0	
$.XXX \pm 0.15$	$.XX^\circ \pm 1^\circ$	CHECKED BY Vito	DWG NO. AP-APCI0557		
SIZE A4	UNITS MM [INCH]	DRAWN BY Xin.Wu	SHEET 5 / 5	SCALE 1:1	REV 1B