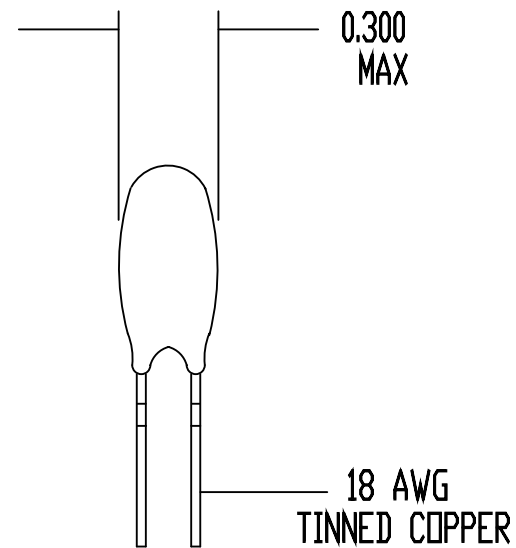
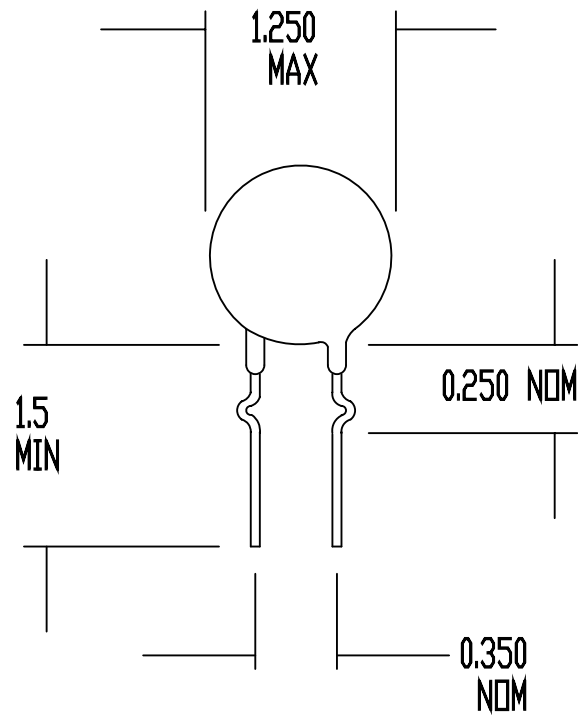



REV	DATE	ECO#

DRAWING NOT TO SCALE
ALL DIMENSIONS IN INCHES



SPECIFICATIONS:

RESISTANCE AT 25 DEG C = 2 OHM +/- 25%
 MAXIMUM CONTINUOUS CURRENT (I_{max}) = 23 AMPS
 RESISTANCE AT I_{max} = 0.025 OHMS NOMINAL
 MAXIMUM VOLTAGE RATING = 265 VAC (RMS)
 MAXIMUM SURGE RATING = 250 JOULES
 ENCAPSULATION = SILICONE RESIN
 MARKING = OPTIONAL
 LEADS = RODAN P/N STL-209-54 (OR STL-209-35)

DRAWN BY D. NGUYEN		 Circuit Protection Thermistors
DATE 06/25/93	ORIG. F. TISED	
REV N/C	APP	SURGE-GARD INRUSH CURRENT LIMITER
SHEET 1 OF 1		SG355