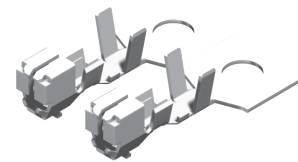
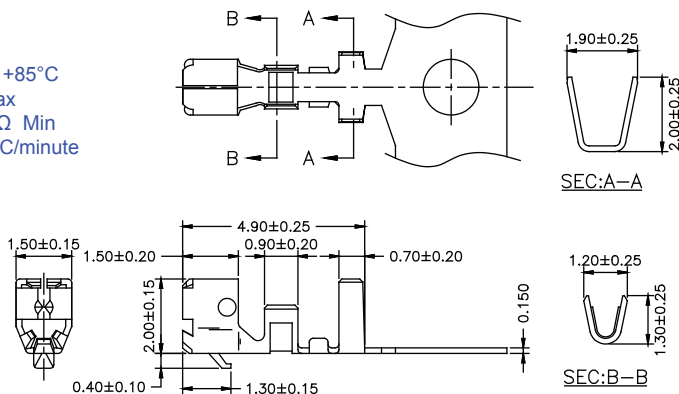


2.0mm Terminal / Housing / Wafer Right Angle / Straight Type

Specifications

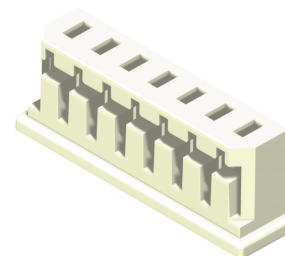
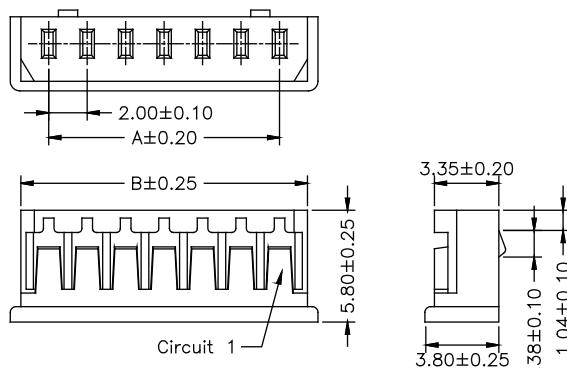
Current Rating: 2A AC,DC
 Voltage Rating: 125V AC,DC
 Temperature Range: -25°C to +85°C
 Contact Resistance: 20mΩ Max
 Insulation Resistance: 1000MΩ Min
 Withstanding Voltage: 800V AC/minute
 Terminal: Brass / Tin Plated
 Material:Nylon 66,UL94V-0



Wire Range	Insulation O.D.	Material	Finish
#24-#30	1.40mm(Max)	Phosphor Bronze	Tin Plated

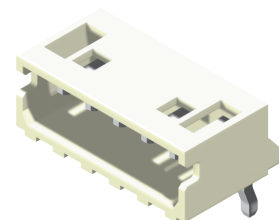
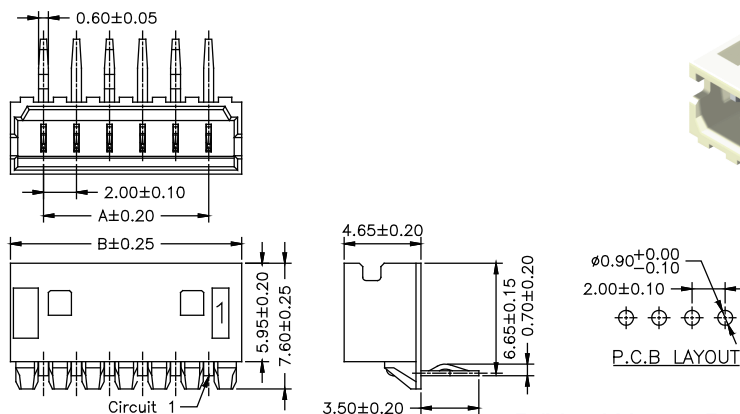
P/N.:5T2002N-PT0R-01

No. of Contacts	Dimensions	
	A	B
2	2.00	4.90
3	4.00	6.90
4	6.00	8.90
5	8.00	10.90
6	10.00	12.90
7	12.00	14.90
8	14.00	16.90
9	16.00	18.90
10	18.00	20.90
11	20.00	22.90
12	22.00	24.90
13	24.00	26.90
14	26.00	28.90
15	28.00	30.90

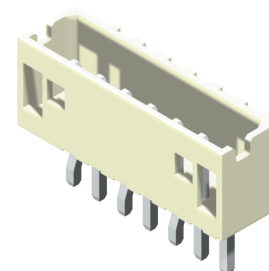
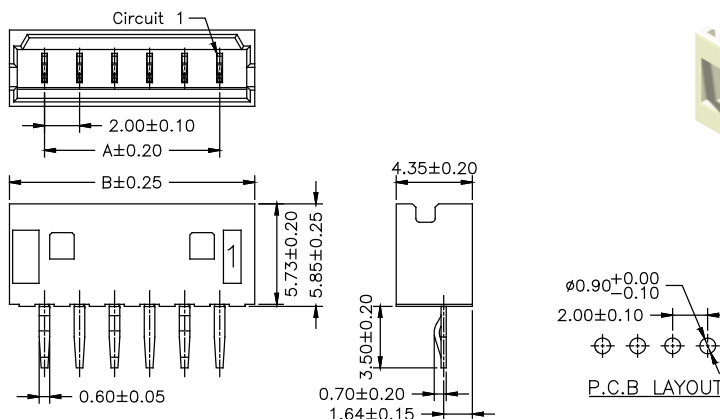


P/N.:5H2002R0-1XXWBL00-01

No. of Contacts	Dimensions	
	A	B
2	2.00	6.00
3	4.00	8.00
4	6.00	10.00
5	8.00	12.00
6	10.00	14.00
7	12.00	16.00
8	14.00	18.00
9	16.00	20.00
10	18.00	22.00
11	20.00	24.00
12	22.00	26.00
13	24.00	28.00
14	26.00	30.00
15	28.00	32.00



P/N.:5W2002R0-1XXT0WBL-01



P/N.:5W2002S0-1XXT0WAL-01