

SPECIFICATION

1. Rating : DC 25V 3.0A;
2. Contact resistance: $\leq 50m\Omega$;
3. Insulation resistance: $\geq 100M\Omega$ (DC250V);
4. Withstand voltage: 500VAC ;
5. Insertion and extraction force: 3-30N;
6. life test: 5,000 cycles.

ORDER INFORMATION

5 3 D C J x D R 0 - F 0 x x S V B x x - 5 7

◎:Standard Recommend

3:∅2.0
4:∅2.5
6:∅1.65

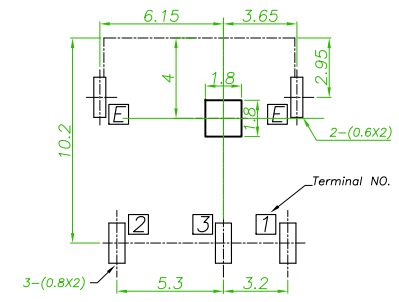
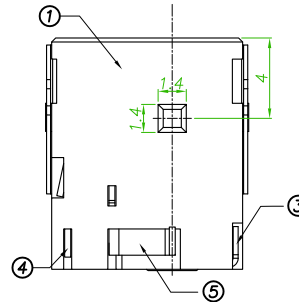
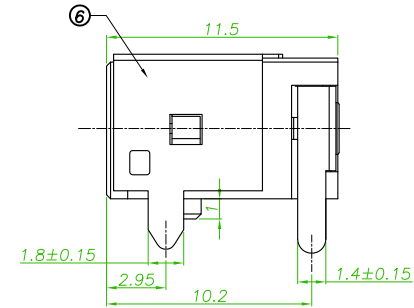
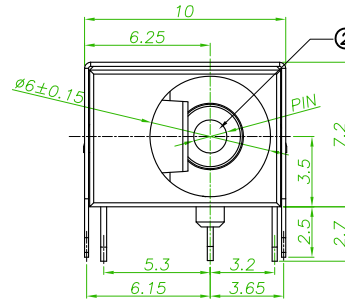
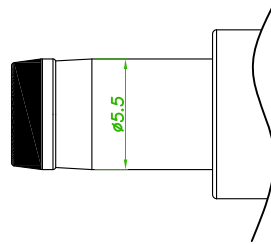
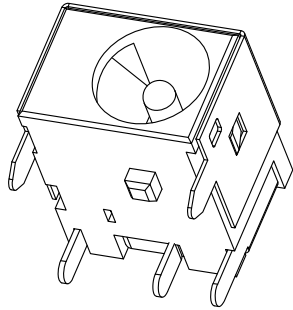
No. of Pins total
(02.03)

SV:Silver

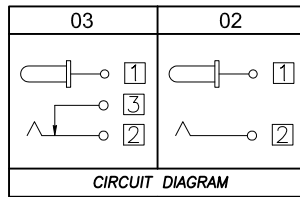
B:Black Insulator

U:PA9T
L:PBT

B:Bag Package
R:Tape&Reel
A:Tray



P. C. B Layout
(Copper-sided view)



NO.	DESCRIPTION	QTY	MATERIAL	PLATING
⑥	Ground shield	1	Brass	Ni-Plating
⑤	Shunt terminal	3	Brass	Ag-Plating
④	Tip spring	2	Phosphor bronze	Ag-Plating
③	Center pin contact	1	Brass	Ag-Plating
②	Center pin	1	Brass	Ni-Plating
①	Housing	1	PBT/PA9T	

糧德精密有限公司
Amtek Technology Co., Ltd.
TEL: 886-2-2260-6878
FAX: 886-2-2260-8030

品名 TITLE	DC POWER JACK					
品號 PART NO.	53DCJxDR0-F0xxSVBxx-57				繪圖 DRAWN	Roy 2015/11/25
圖號 DRAWING NO.		版本 REV.	C	核對 CHECKED	Brian 2015/11/25	
客戶品號 CUSTOMER P/N		比例 SCALE	None	承認 APPROVED	John 2015/11/25	
公差 TOLERANCE	±0.3	單位 UNIT	mm	THIRD ANGLE PROJECTION		

REV.	ECN NO. OR DESCRIPTION	REVISED	DATE
△	Add the Package:Tray	C	2016/04/18 Roy
△	Revise the drawing	B	2016/03/11 Roy