

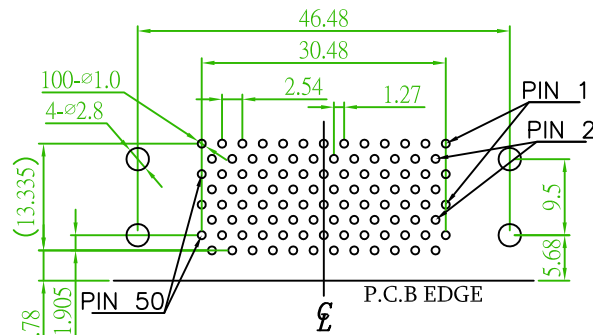
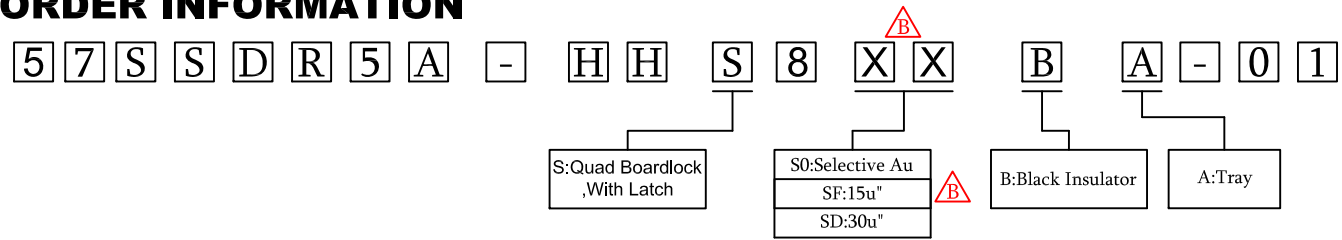
SPECIFICATIONS

Current Rating: 1A
 Contact Resistance(upper): 35mΩ max.
 Contact Resistance(lower): 20mΩ max.
 Insulator Resistance: 100MΩ min.
 Dielectric Voltage: AC 500V for one minute
 Operating Temperature: -55°C ~ +85°C

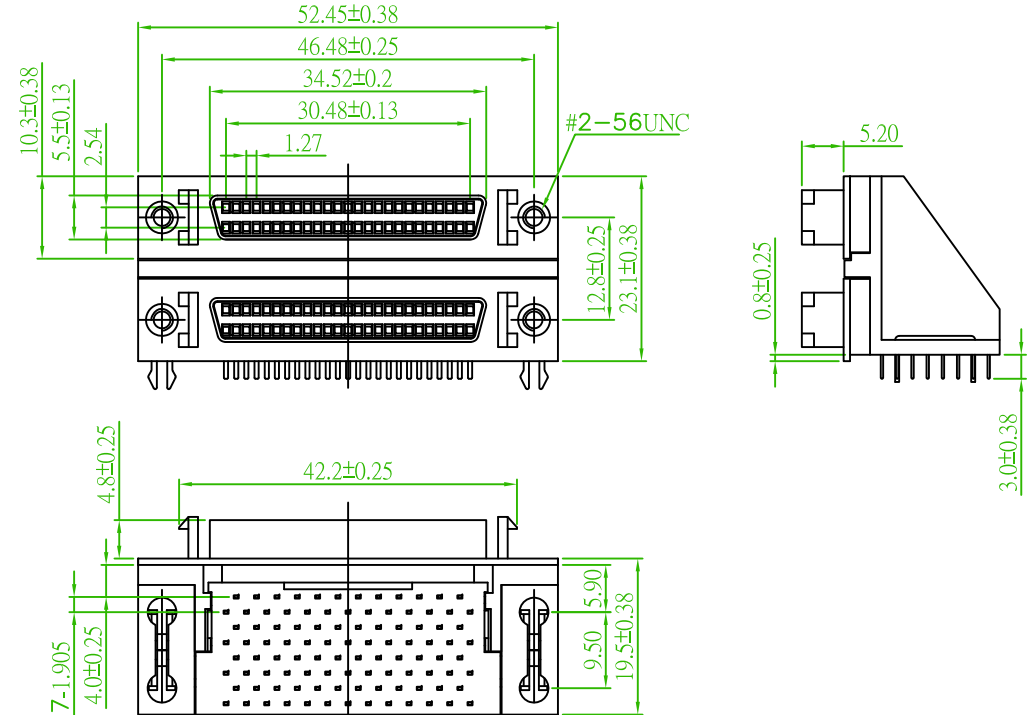
MATERIAL

Housing: PBT,UL94V-0
 Contacts: Copper Alloy
 Shell: Zinc Alloy
 Boardlock: Copper Alloy
 Bracket: Zinc Alloy

ORDER INFORMATION



Recommended P.C.B Layout
 (PCB BOARD TOLERANCE±0.05)



REV.	ECN NO. OR DESCRIPTION	REVISED	DATE
B	Remove the old part number, add plating: S0, SD.	B	2017/07/04 Gary

<p>糧德精密有限公司 Amtek Technology Co., Ltd. TEL: 886-2-2260-6878 FAX: 886-2-2260-8030</p>	品名 TITLE	SCSI D-SUB				頁數 Page	1/1
	品號 PART NO.	B 57SSDR5A-HHS8XXBA-01				繪圖 DRAWN	Roy 2017/06/28
	圖號 DRAWING NO.	GW037-RL817		版本 REV.	B	核對 CHECKED	Carol 2017/06/28
	客戶品號 CUSTOMER P/N			比例 SCALE	None	承認 APPROVED	Jason 2017/06/28
	公差 TOLERANCE	.XX ± 0.25 .XXX ± 0.13		單位 UNIT	mm	THIRD ANGLE PROJECTION	