

**SPECIFICATION**

Current Rating: 1 AMP  
 Insulation Resistance: 1000MΩ Min.  
 Contact Resistance: 20mΩ Max.  
 Dielectric Voltage: 500V AC for one minute  
 Operation Temperature: -40°C to +105°C

**MATERIAL**

Insulator: Hi-Temp. Thermoplastic, UL94V-0, Black  
 Contact Pin: Copper Alloy

**ORDER INFORMATION**

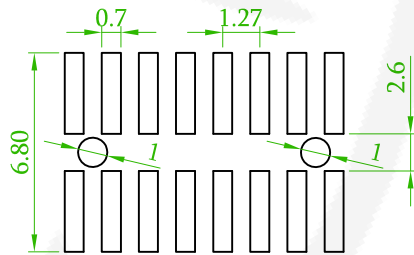
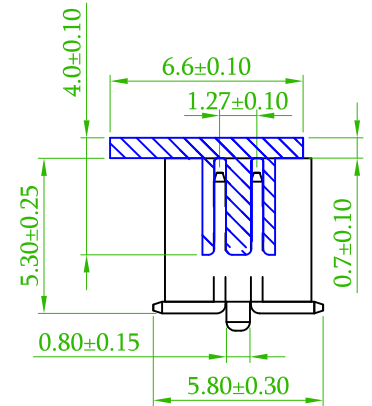
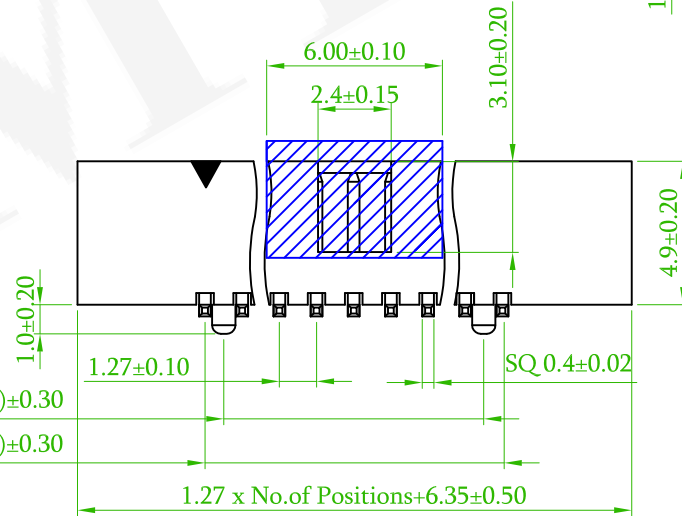
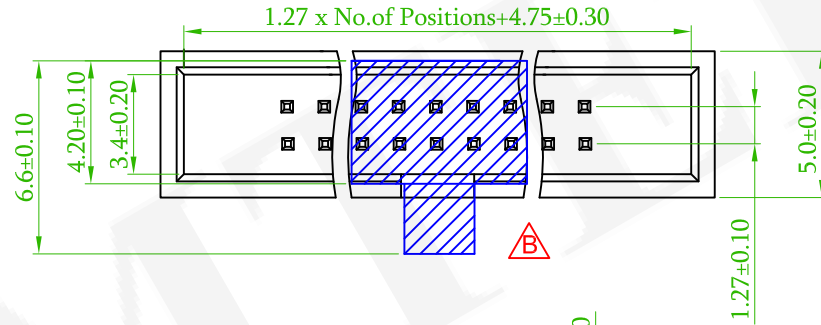
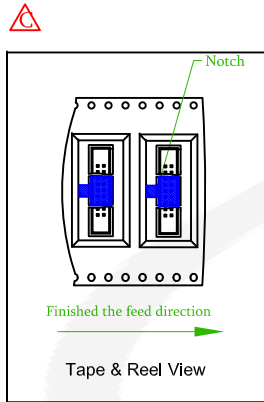
5 B H 3 M S B 4 9 - X X X X X X U - X 0

⊙: Standard Recommend

No. of contacts (20~100)	G0:Gold Flash	S0:Selective	5:W/O Peg 6:With Peg	T:Tube, W/O Cap C:Tube, With Cap R:Tape & Reel, With Cap H:Tape & Reel, W/O Cap ⊙:A:Trav, W/O Cap P:Tray, With Cap	U:RoHS +Hi-Temp.	0 Other Package L Tape & Reel : Notch on Left Side
	GA:5u"	SA:5u"				
	GB:10u"	SB:10u"				
	GC:20u"	SC:20u"				
	GD:30u"	SD:30u"				
	T0:Tin Plated					
	TE:Tin 200u"					



Amtek  
 2018.05.21  
 文管中心



⊠ Recommended PCB Layout  
 (PCB TOLERANCE ±0.1)

Old Part No.:BH3CM-XX-U

<p>Amtek Technology Co., Ltd.                  TEL: 886-2-2260-6878                  FAX: 886-2-2260-8030</p>	品名 TITLE	1.27mm BOX HEADER V/T SMT TYPE			頁數 Page	1/1
	品號 PART NO.	5BH3MSB49-XXXXXXU-X0 ⊠			繪圖 DRAWN	Mia 2016/06/20
	圖號 DRAWING NO.	GN016-MC065	版本 REV.	C	核對 CHECKED	Josh 2018/04/10
	客戶品號 CUSTOMER P/N		比例 SCALE	None	承認 APPROVED	Jason 2018/04/10
	公差 TOLERANCE	.X ± 0.25 .XX ± 0.20	單位 UNIT	mm	THIRD ANGLE PROJECTION	⊕

⊠	Add the Tape & Reel View	Roy	2018/04/10
⊠	Add the Peg and Cap	Mia	2016/11/21
REV.	ECN NO. OR DESCRIPTION	REVISED	DATE