

SPECIFICATION

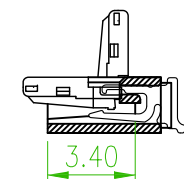
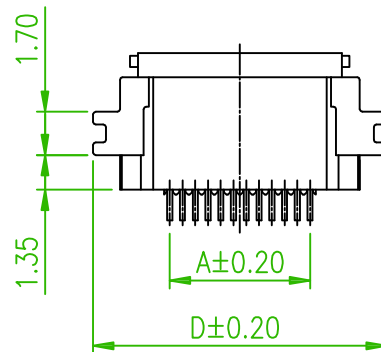
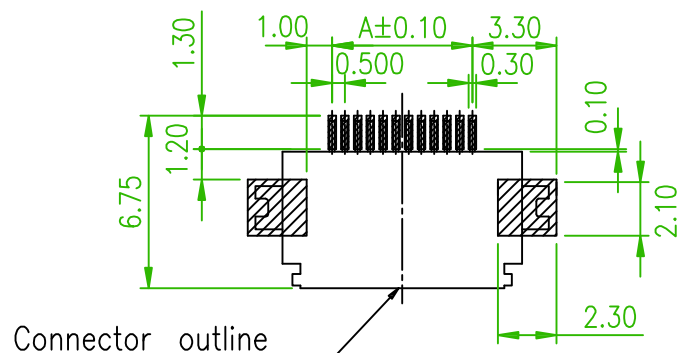
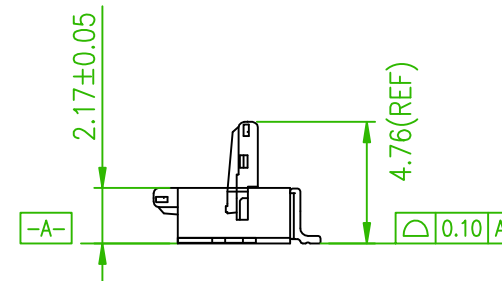
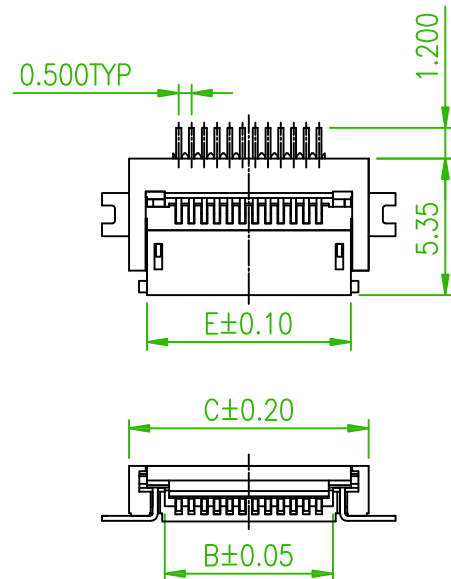
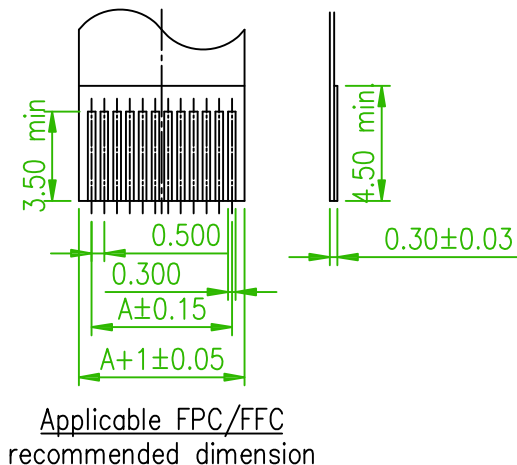
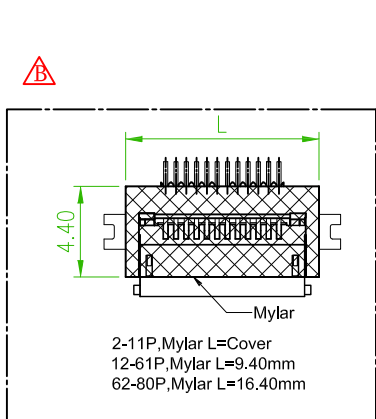
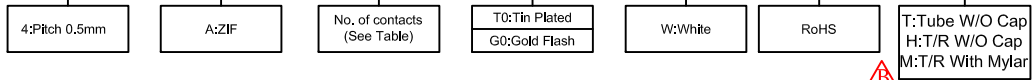
Current Rating:0.4 AMP
 Insulation Resistance:50M Ω Min.
 Contact Resistance:20m Ω Max.
 Dielectric Voltage:250V AC for one minute
 Operation Temperature:-20°C to +85°C

MATERIAL

Insulator:High Temperature Thermoplastic,UL 94V-0
 Contact Pin:Copper Alloy

ORDER INFORMATION

5 F C 4 A M R N D - X X X X W U X - 0 1



Old Part No. : FPC4AMR6C-XX-U

Recommended PCB Board Hole Layout

△	Add the Package Option:T/R With Mylar	B	2017/03/15 Roy
REV.	ECN NO. OR DESCRIPTION	REVISED	DATE

耀德精密有限公司
 Amtek Technology Co., Ltd.
 TEL: 886-2-2260-6878
 FAX: 886-2-2260-8030


品名 TITLE	FPC/FFC 0.5mm Zif R/A SMT Type				頁數 Page	1/2
品號 PART NO.	5FC4AMRND-XXXXWUX-01			繪圖 DRAWN	Roy 2015/09/24	
圖號 DRAWING NO.	GN033-RL574		版本 REV.	B	核對 CHECKED	John 2015/09/24
客戶品號 CUSTOMER P/N			比例 SCALE	None	承認 APPROVED	John 2015/09/24
公差 TOLERANCE	.X ± 0.20	.XX ± 0.15	.X° ± 3	單位 UNIT	mm	THIRD ANGLE PROJECTION



Pin	Dimension					Pin	Dimension					Pin	Dimension					Pin	Dimension				
	A	B	C	D	E		A	B	C	D	E		A	B	C	D	E		A	B	C	D	E
4	1.50	2.60	5.40	7.50	4.00	24	11.50	12.60	15.40	17.50	14.00	44	21.50	22.60	25.40	27.50	24.00	64	31.50	32.60	35.40	37.50	34.00
5	2.00	3.10	5.90	8.00	4.50	25	12.00	13.10	15.90	18.00	14.50	45	22.00	23.10	25.90	28.00	24.50	65	32.00	33.10	35.90	38.00	34.50
6	2.50	3.60	6.40	8.50	5.00	26	12.50	13.60	16.40	18.50	15.00	46	22.50	23.60	26.40	28.50	25.00	66	32.50	33.60	36.40	38.50	35.00
7	3.00	4.10	6.90	9.00	5.50	27	13.00	14.10	16.90	19.00	15.50	47	23.00	24.10	26.90	29.00	25.50	67	33.00	34.10	36.90	39.00	35.50
8	3.50	4.60	7.40	9.50	6.00	28	13.50	14.60	17.40	19.50	16.00	48	23.50	24.60	27.40	29.50	26.00	68	33.50	34.60	37.40	39.50	36.00
9	4.00	5.10	7.90	10.00	6.50	29	14.00	15.10	17.90	20.00	16.50	49	24.00	25.10	27.90	30.00	26.50	69	34.00	35.10	37.90	40.00	36.50
10	4.50	5.60	8.40	10.50	7.00	30	14.50	15.60	18.40	20.50	17.00	50	24.50	25.60	28.40	30.50	27.00	70	34.50	35.60	38.40	40.50	37.00
11	5.00	6.10	8.90	11.00	7.50	31	15.00	16.10	18.90	21.00	17.50	51	25.00	26.10	28.90	31.00	27.50	71	35.00	36.10	38.90	41.00	37.50
12	5.50	6.60	9.40	11.50	8.00	32	15.50	16.60	19.40	21.50	18.00	52	25.50	26.60	29.40	31.50	28.00	72	35.50	36.60	39.40	41.50	38.00
13	6.00	7.10	9.90	12.00	8.50	33	16.00	17.10	19.90	22.00	18.50	53	26.00	27.10	29.90	32.00	28.50	73	36.00	37.10	39.90	42.00	38.50
14	6.50	7.60	10.40	12.50	9.00	34	16.50	17.60	20.40	22.50	19.00	54	26.50	27.60	30.40	32.50	29.00	74	36.50	37.60	40.40	42.50	39.00
15	7.00	8.10	10.90	13.00	9.50	35	17.00	18.10	20.90	23.00	19.50	55	27.00	28.10	30.90	33.00	29.50	75	37.00	38.10	40.90	43.00	39.50
16	7.50	8.60	11.40	13.50	10.00	36	17.50	18.60	21.40	23.50	20.00	56	27.50	28.60	31.40	33.50	30.00	76	37.50	38.60	41.40	43.50	40.00
17	8.00	9.10	11.90	14.00	10.50	37	18.00	19.10	21.90	24.00	20.50	57	28.00	29.10	31.90	34.00	30.50	77	38.00	39.10	41.90	44.00	40.50
18	8.50	9.60	12.40	14.50	11.00	38	18.50	19.60	22.40	24.50	21.00	58	28.50	29.60	32.40	34.50	31.00	78	38.50	39.60	42.40	44.50	41.00
19	9.00	10.10	12.90	15.00	11.50	39	19.00	20.10	22.90	25.00	21.50	59	29.00	30.10	32.90	35.00	31.50	79	39.00	40.10	42.90	45.00	41.50
20	9.50	10.60	13.40	15.50	12.00	40	19.50	20.60	23.40	25.50	22.00	60	29.50	30.60	33.40	35.50	32.00	80	39.50	40.60	43.40	45.50	42.00
21	10.00	11.10	13.90	16.00	12.50	41	20.00	21.10	23.90	26.00	22.50	61	30.00	31.10	33.90	36.00	32.50						
22	10.50	11.60	14.40	16.50	13.00	42	20.50	21.60	24.40	26.50	23.00	62	30.50	31.60	34.40	36.50	33.00						
23	11.00	12.10	14.90	17.00	13.50	43	21.00	22.10	24.90	27.00	23.50	63	31.00	32.10	34.90	37.00	33.50						

Old Part No. : FPC4AMR6C-XX-U

REV.	ECN NO. OR DESCRIPTION	REVISED	DATE
	Add the Package Option:T/R With Mylar	B	2017/03/15 Roy



耀德精密有限公司
 Amtek Technology Co., Ltd.
 TEL: 886-2-2260-6878
 FAX: 886-2-2260-8030

品名 TITLE	FPC/FPC 0.5mm Zif R/A SMT Type				頁數 Page	2/2
品號 PART NO.	5FC4AMRND-XXXXWUX-01			繪圖 DRAWN	Roy 2015/09/24	
圖號 DRAWING NO.	GN033-RL574		版本 REV.	B	核對 CHECKED	John 2015/09/24
客戶品號 CUSTOMER P/N			比例 SCALE	None	承認 APPROVED	John 2015/09/24
公差 TOLERANCE	.X ± 0.20	.X° ± 3	單位 UNIT	mm	THIRD ANGLE PROJECTION	