

SPECIFICATIONS

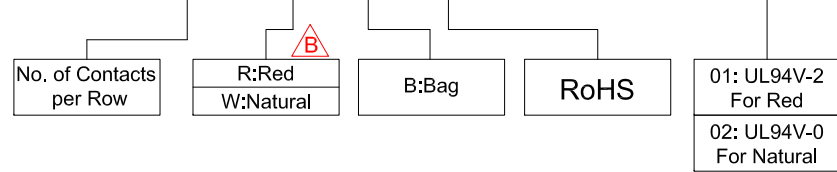
Operation Temperature: -25°C to +85°C
 Insulation Resistance: 1000MΩ Min.
 Dielectric Voltage: 1000V AC for one minute

MATERIAL

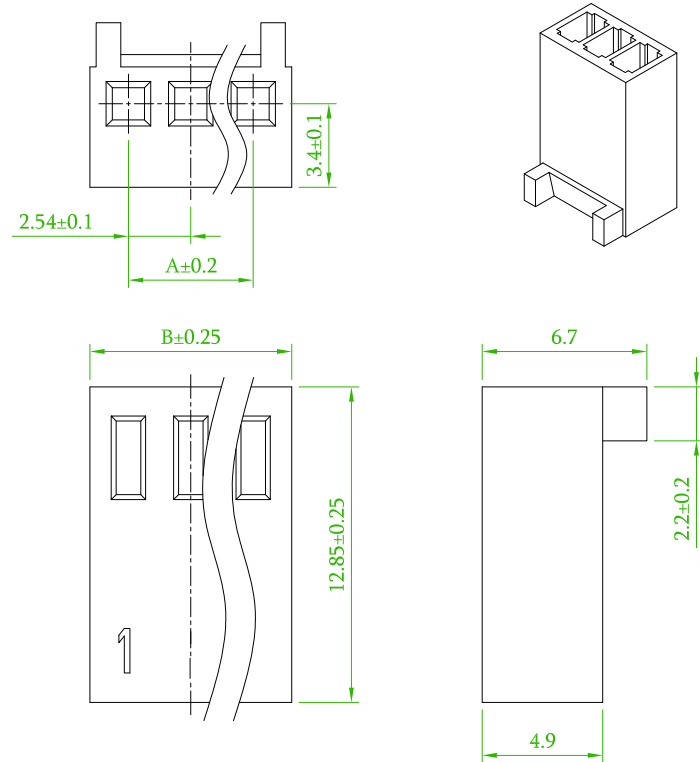
Insulator: Nylon 66

ORDER INFORMATION

5 H 2 5 4 4 N 0 - 1 X X X B L 0 0 A X X



No. of contacts	Dimensions	
	A	B
02	2.54	5.68
03	5.08	8.22
04	7.62	10.76
05	10.16	13.30
07	15.24	18.38
08	17.78	20.92
09	20.32	23.46
10	22.86	26.00
11	25.40	28.54
12	27.94	31.08
13	30.48	33.62
14	33.02	36.16
15	35.56	38.70
16	38.10	41.24
17	40.64	43.78
18	43.18	46.32
19	45.72	48.86
20	48.26	51.40



Old Part No.:2544H-XXR-L

REV.	ECN NO. OR DESCRIPTION	REVISED	DATE
Bx3	Add color: W: Natural, UL94V-0, remove current rating, contact resistance.	Gary	2018/07/31

 糧德精密有限公司 Amtek Technology Co., Ltd. TEL: 886-2-2260-6878 FAX: 886-2-2260-8030	品名 TITLE	2.54mm HOUSING WIRE SIDE			頁數 Page	1/1
	品號 PART NO.	5H2544N0-1XXXBL00AXX			繪圖 DRAWN	Jeff 2016/12/15
	圖號 DRAWING NO.	GW090-JF085	版本 REV.	B	核對 CHECKED	Josh 2018/07/31
	客戶品號 CUSTOMER P/N		比例 SCALE	None	承認 APPROVED	Jason 2018/07/31
	公差 TOLERANCE	.X ± 0.25 .XX ± 0.15	單位 UNIT	mm	THIRD ANGLE PROJECTION	