

ORDER INFORMATION

1. MATERIAL:
 1.1 INSULATOR: THERMOPLASTIC UL 94V-0 RATED,COLOR: BLACK
 1.2 CONTACT: COPPER ALLOY
 1.3 SHELL: COPPER ALLOY
 1.4 DUST CAP: THERMOPLASTIC UL94V-0,COLOR: BLACK
 2. PLATING:
 2.1 CONTACT:
 GOLD PLATED OVER NICKEL ON CONTACT AREA AND 100u" MIN. MATTED TIN OR GOLD PLATED OVER NICKEL ON SOLDER TAILS
 2.2 SHELL:
 SOLDERABLE NICKEL

5 H M A M O F -

X X

R U - 0 X

A:Female A Type

S0:Selective
 S3:Selective 3u"
 G3:Gold 3u"
 GF:Gold 15u"

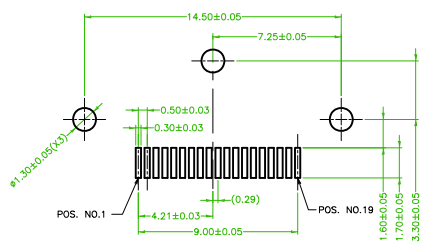
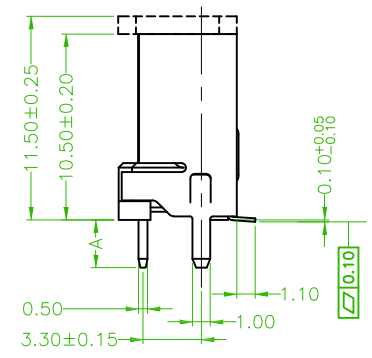
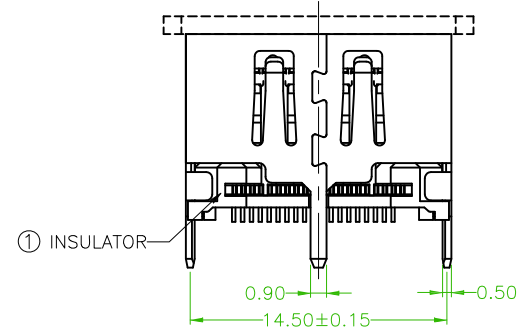
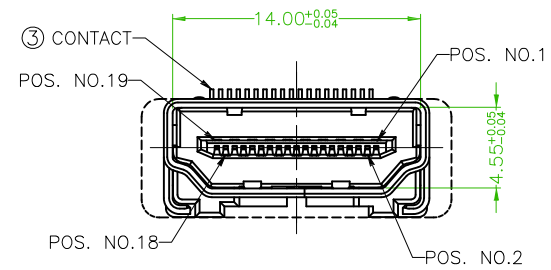
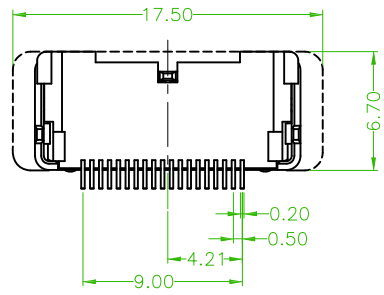
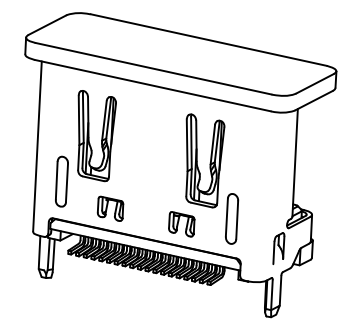
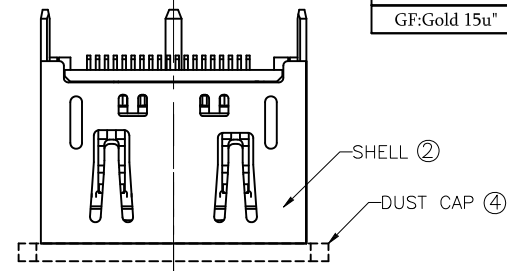
R:Tape&Reel with Cap

RoHS

Dim.A
 1:1.80
 2:2.70



1	THERMOPLASTIC	HAIQIONG	DUST CAP	4
19	COPPER ALLOY,T=0.20mm	YIHONG	CONTACT	3
1	COPPER ALLOY,T=0.50mm	YIHONG	SHELL	2
1	THERMOPLASTIC	HAIQIONG	INSULATOR	1
QTY'S	SPECIFICATION	SUPPLIER	PART	ITEM



RECOMMENDED P.C.B. LAYOUT(T=1.6mm)
 Unspecified tolerance:±0.05mm

 糧德精密有限公司 Amtek Technology Co., Ltd. TEL: 886-2-2260-6878 FAX: 886-2-2260-8030	品名 TITLE	HDMI FEMALE SMT TYPE				頁數 Page	1/1
	品號 PART NO.	5HMAM0F-XXRU-0X				繪圖 DRAWN	Roy 2016/03/01
	圖號 DRAWING NO.		版本 REV.	A	核對 CHECKED	Sabrina 2016/03/01	
	客戶品號 CUSTOMER P/N		比例 SCALE	None	承認 APPROVED	John 2016/03/01	
	公差 TOLERANCE	.X ± 0.30 .XX ± 0.20	.X°±3	單位 UNIT	mm	THIRD ANGLE PROJECTION	

REV.	ECN NO. OR DESCRIPTION	REVISED	DATE
------	------------------------	---------	------