

SPECIFICATIONS

Current Rate:3 AMP

Insulation Resistance:1000M Ω Min.


Contact Resistance:20m Ω Max.

Dielectric Voltage:1000V AC for one minute

Operation Temperature:-40°C to +105°C

MATERIAL

Insulator:P.B.T+30% Glass fiber or Hi-Temp.

Thermoplastic,UL 94V-0 

Contact Pin:Copper Alloy

Contact Plated:Gold over Nickel or Tin

ORDER INFORMATION

5 J P 1 X A - 2 1 X X X B X - 0 1

B:Brass
P:Phosphor bronze

A:Close 6.5mm

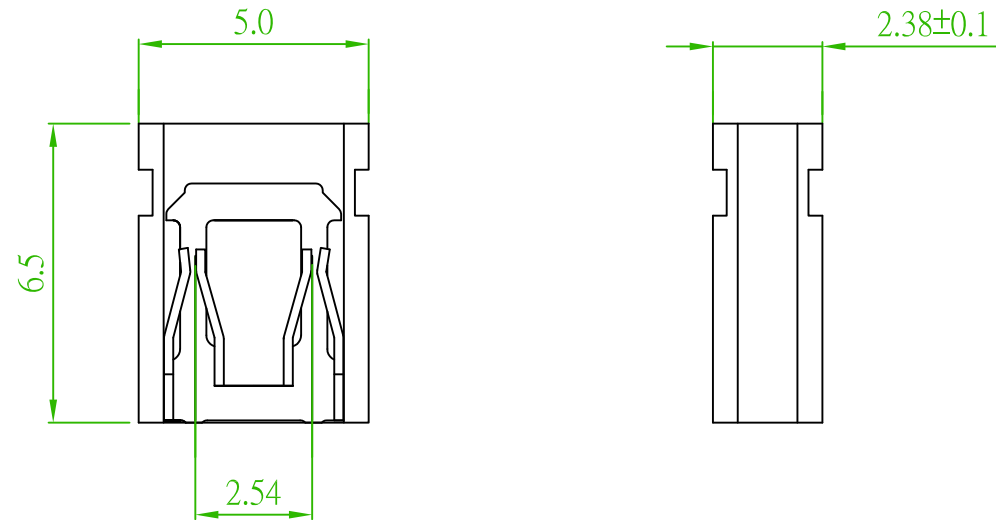
◎G0:Gold Flash
GA:5u"
GB:10u"
GC:20u"
GD:30u"
T0:Tin Plated
TE:Tin 200u"


◎B:Black insulator
U:Blue insulator
G:Gray insulator
R:Red insulator
E:Green insulator
W:White insulator
Y:Yellow insulator


B:Bag

L:RoHS +PBT
U:RoHS+Hi-Temp.

◎:Standard Recommend



 3	Add the Hi-Temp.	Mia	2018/06/22
REV.	ECN NO. OR DESCRIPTION	REVISED	DATE

 糧德精密有限公司 Amtek Technology Co., Ltd. TEL: 886-2-2260-6878 FAX: 886-2-2260-8030	品名 TITLE	MINI JUMPER 2.54mm				頁數 Page	1/1
	品號 PART NO.	 5JP1XA-21XXXBX-01			繪圖 DRAWN	Jeff 2016/03/04	
	圖號 DRAWING NO.	GN047-MD226	版本 REV.	B	核對 CHECKED	John 2016/03/04	
	客戶品號 CUSTOMER P/N		比例 SCALE	None	承認 APPROVED	John 2016/03/04	
	公差 TOLERANCE	.X ± 0.35	單位 UNIT	mm	THIRD ANGLE PROJECTION		
		.XX ± 0.25					