

Specifications

Current Rate:3 AMP

Insulation Resistance:1000M Ω Min.

Contact Resistance:20m Ω Max.

Dielectric Voltage:1000V AC for one minute

Operation Temperature:-40°C to +105°C

Material

Insulator:P.B.T+30% Glass fiber,UL 94V-0

Contact Pin:Copper Alloy

Contact Plated:Gold over Nickel or Tin

ORDER INFORMATION

5 J P 1 X C - 2 1 X X X B L - 0 1

B:Brass
P:Phosphor bronze

C:Open4.5mm

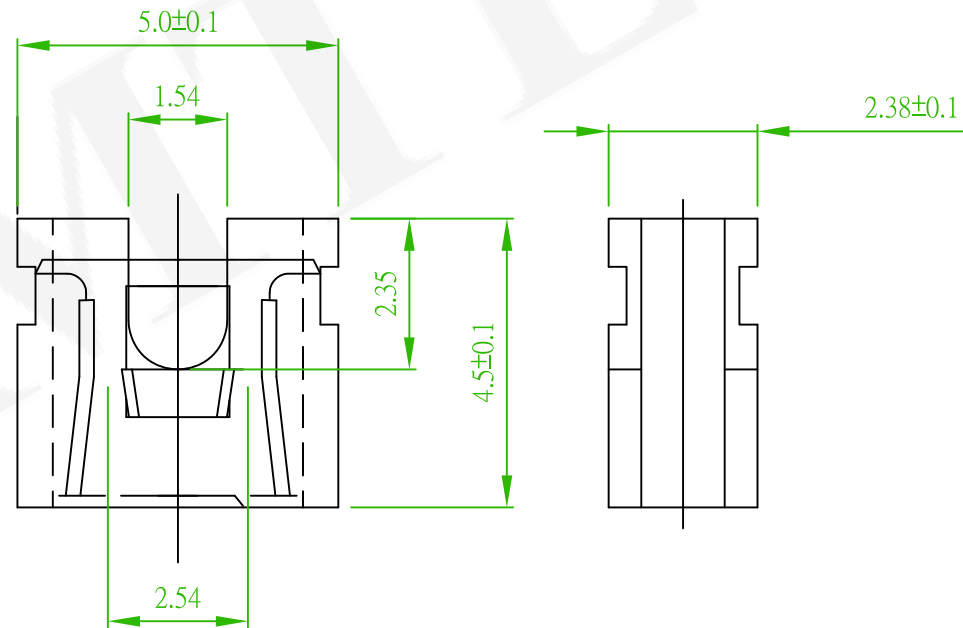
◎G0:Gold Flash
GA:5u"
GB:10u"
GC:20u"
GD:30u"
T0:Tin Plated
TE:Tin 200u"

◎B:Black insulator
U:Blue insulator
G:Gray insulator
R:Red insulator
E:Green insulator
W:White insulator
Y:Yellow insulator

B:Bag

L:RoHS +PBT

◎:Standard Recommend



Old Part No: MJ1X-C-L

REV.	ECN NO. OR DESCRIPTION	REVISED	DATE

<p>Amtek Technology Co., Ltd. TEL: 886-2-2260-6878 FAX: 886-2-2260-8030</p>	品名 TITLE	MINI JUMPER 2.54mm			頁數 Page	1/1
	品號 PART NO.	5JP1XC-21XXXBL-01			繪圖 DRAWN	Jeff 2016/03/04
	圖號 DRAWING NO.	版本 REV.	A	核對 CHECKED	John 2016/03/04	
	客戶品號 CUSTOMER P/N	比例 SCALE	None	承認 APPROVED	John 2016/03/04	
	公差 TOLERANCE	.X ± 0.35 .XX ± 0.25	單位 UNIT	mm	THIRD ANGLE PROJECTION	