

SPECIFICATION

Current Rating: 0.5AMP
 Insulation Resistance: 100MΩ Min at 500V DC.
 Contact Resistance: 100mΩ Max.
 Dielectric Voltage: 500V AC for one minute
 Operating temperature: -40°C ~ +85°C
 Mating Cycles: 5000 cycles(speed: 400~600 cycles/h)

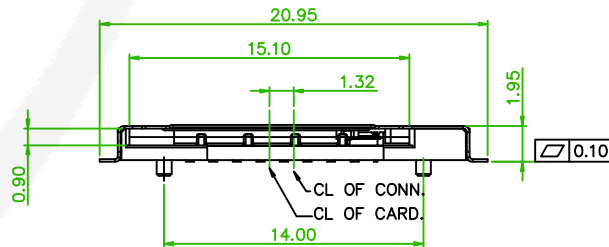
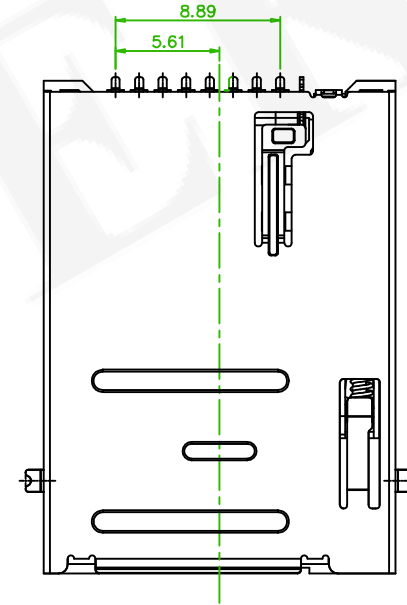
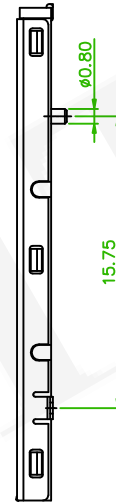
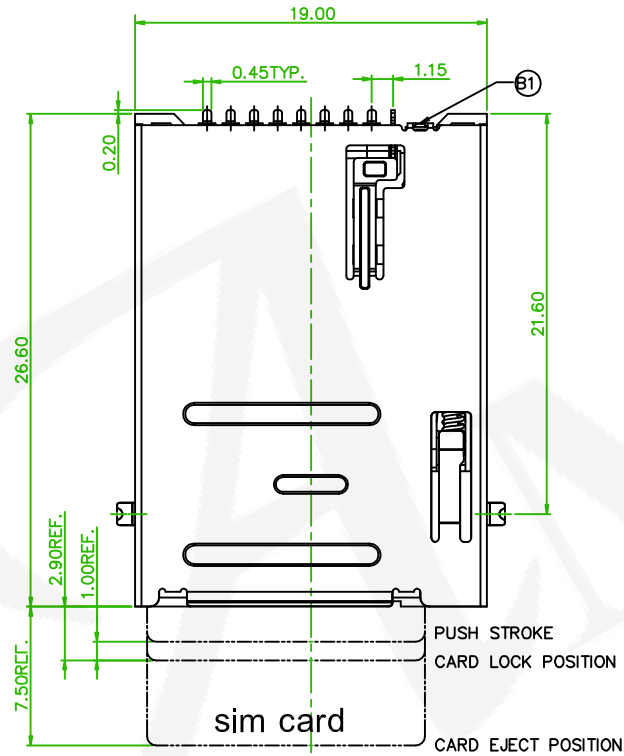
ORDER INFORMATION

5 K S I P - 0 8 S 0 P H E 0 1

P:Push-Push Type No. of contacts S0:Selective Au P:With Peg H:T/R W/O Cap



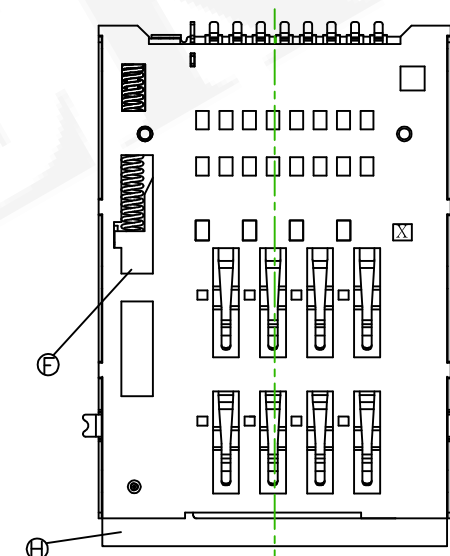
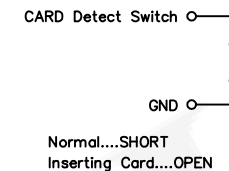
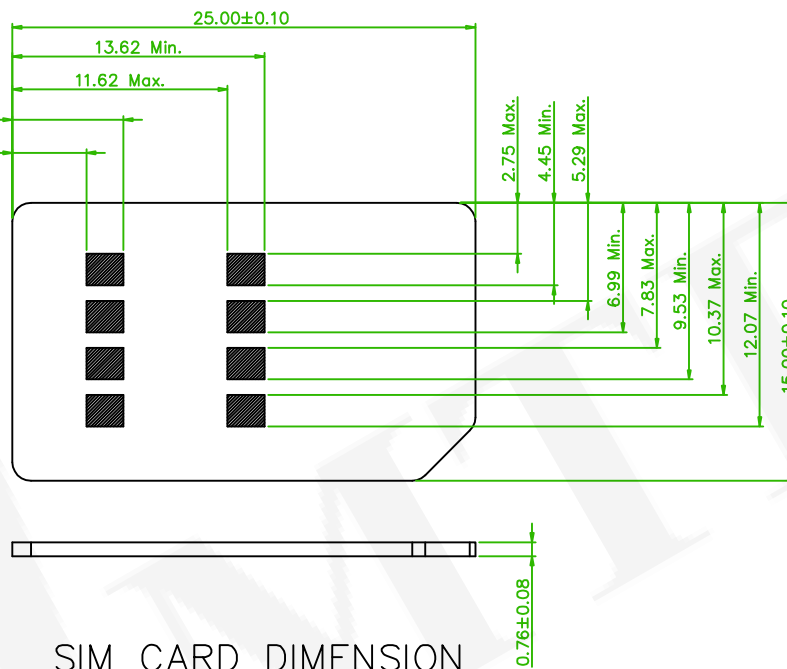
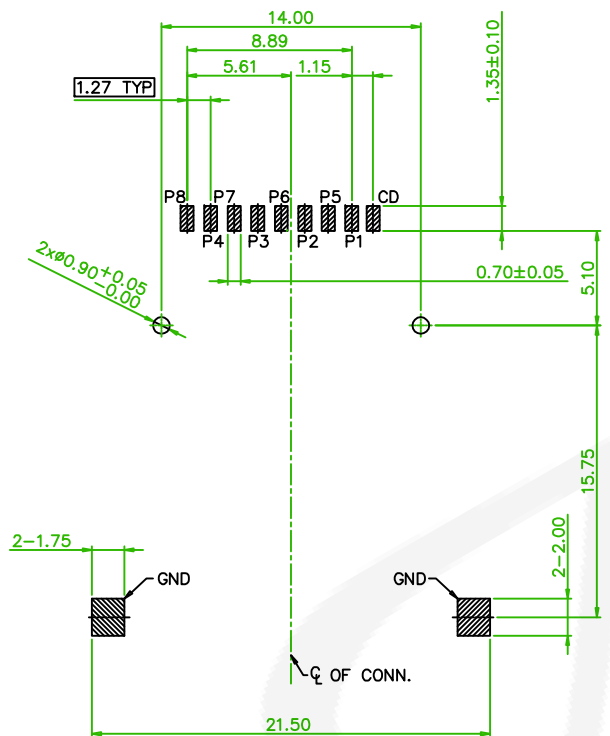
AMTEK 糧德
 2019.09.27
 Released DCC



REV.	ECN NO. OR DESCRIPTION	REVISED	DATE
------	------------------------	---------	------

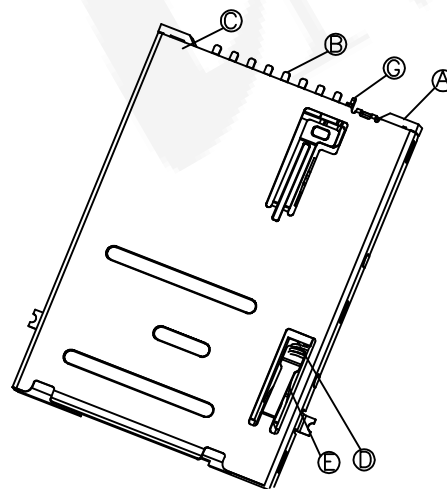
糧德精密有限公司
 Amtek Technology Co., Ltd.
 TEL: 886-2-2260-6878
 FAX: 886-2-2260-8030

品名 TITLE	SIM CARD 8P PUSH PUSH				頁數 Page	1/2
品號 PART NO.	5KSIP-08S0PHE01				繪圖 DRAWN	Benson 2019/09/27
圖號 DRAWING NO.	GN101-BS328	版本 REV.	A	核對 CHECKED	Josh 2019/09/27	
客戶品號 CUSTOMER P/N		比例 SCALE	None	承認 APPROVED	Josh 2019/09/27	
公差 TOLERANCE	.X±0.20	單位 UNIT	mm	THIRD ANGLE PROJECTION		
	.XX±0.15					


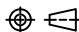


SIM CARD DIMENSION

Connector terminal NO.	Pin NO.
Pin 1	VCC: PWR signal and GND
Pin 2	RST: Reset signal
Pin 3	CLK: Clocking signal
Pin 4	Reserved
Pin 5	GND: PWR signal and GND
Pin 6	VPP: programming Voltage
Pin 7	I/O : serial date input/output
Pin 8	Reserved



ITEM	PART NAME	MATERIAL	Q'TY	REMARK
H	DUMMY CARD	HIGH TEMP. PLASTIC	1 PCS	With or without
C	CD TERMINAL	COPPER ALLOY	1 PCS	
F	SLIDER	HIGH TEMP. PLASTIC	1 PCS	
E	HOOK	STAINLESS STEEL	1 PCS	
D	SPRING	SWP	1 PCS	
C	SHELL	STAINLESS STEEL	1 PCS	
B	TREMINAL	COPPER ALLOY	8 PIN	
A	HOUSING	HIGH TEMP. PLASTIC	1 PCS	

 糧德精密有限公司 Amtek Technology Co., Ltd. TEL: 886-2-2260-6878 FAX: 886-2-2260-8030	品名 TITLE	SIM CARD 8P PUSH PUSH			頁數 Page	2/2
	品號 PART NO.	5KSIP-08S0PHE01			繪圖 DRAWN	Benson 2019/09/27
	圖號 DRAWING NO.	GN101-BS328	版本 REV.	A	核對 CHECKED	Josh 2019/09/27
	客戶品號 CUSTOMER P/N		比例 SCALE	None	承認 APPROVED	Josh 2019/09/27
	公差 TOLERANCE	.X±0.20 .XX±0.15	單位 UNIT	mm	THIRD ANGLE PROJECTION	

REV.	ECN NO. OR DESCRIPTION	REVISED	DATE