

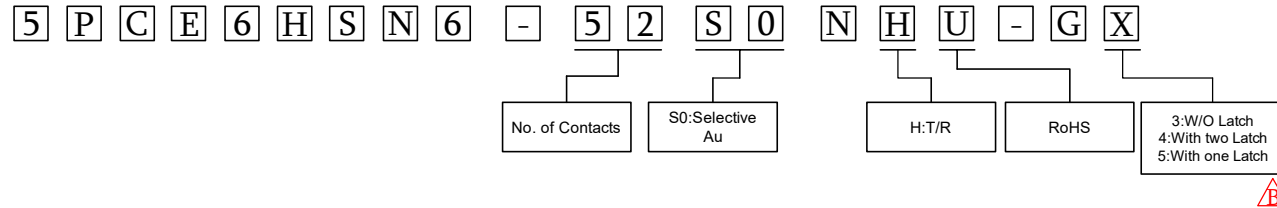
SPECIFICATION

Current Rating: 0.5 AMP
 Contact Resistance: 55mΩ Max.
 Insulation Resistance: 500MΩ Min.
 Dielectric Withstanding Voltage: 300V AC
 Operation Temperature: -40°C to +85°C
 Durability: 50 Cycles
 Total Mating/Unmating Force: 2.3Kgf max

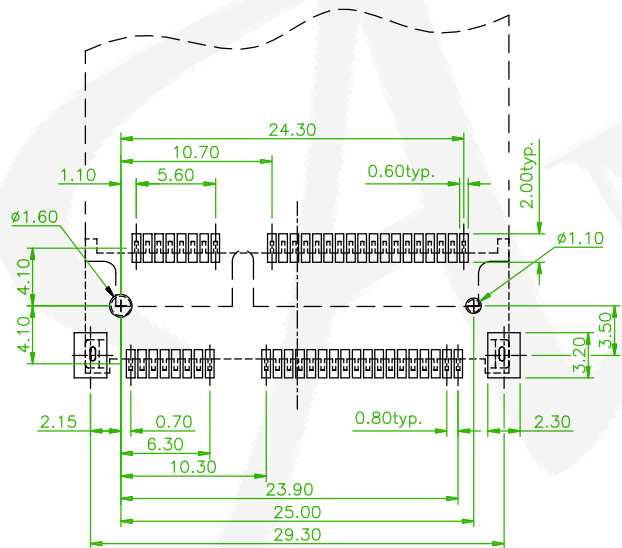
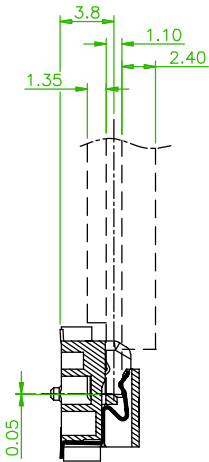
MATERIAL

Insulator: LCP, UL94V-0, Black
 Contact Pin: Phosphor Bronze, contact area: G/F
 solder area: Tin, under plating Nickel
 Holddown: Brass, Tin plated under nickel plating

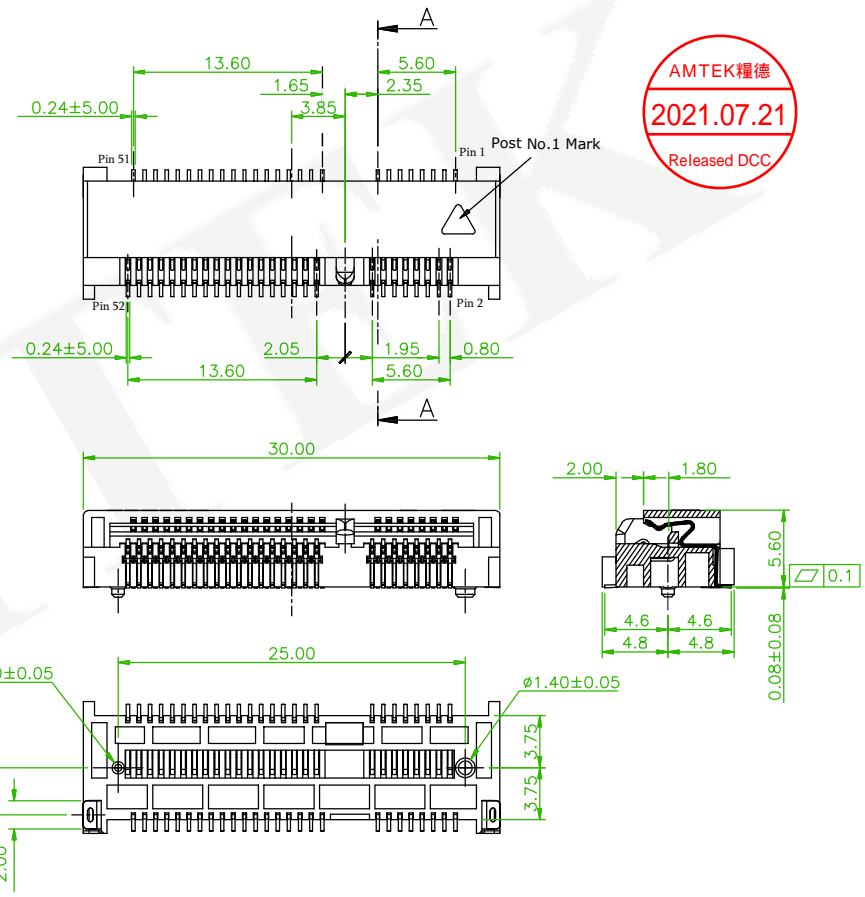
ORDER INFORMATION



AMTEK 耀德
 2021.07.21
 Released DCC



Recommended PCB Layout
 (PCB TOLERANCE ±0.05)

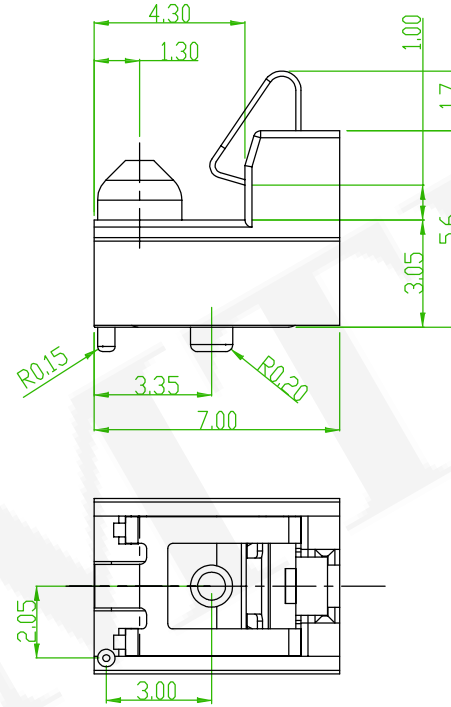
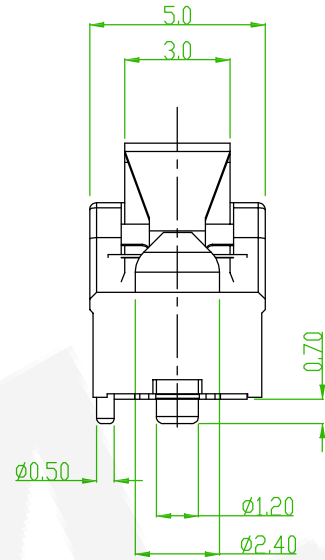
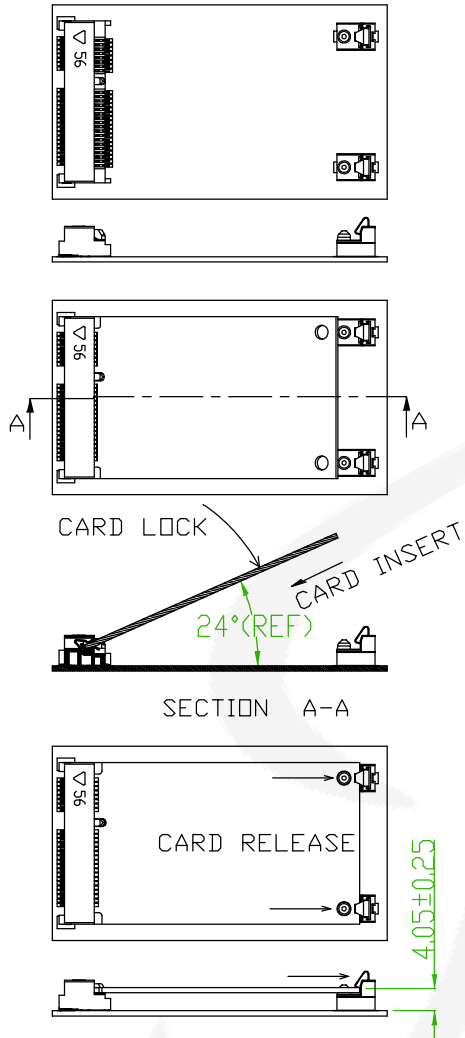


| | | | | | | |
|---|----------------------|-------------------------------------|-------------|------|---------------------------|----------------------|
| <p>耀德精密有限公司 Amtek Technology Co., Ltd. TEL: 886-2-2260-6878 FAX: 886-2-2260-8030</p> | 品名 TITLE | 0.8mm MINI PCI EXPRESS R/A SMT TYPE | | | 頁數 Page | 1/6 |
| | 品號 PART NO. | 5PCE6HSN6-52S0NHU-GX | | | 繪圖 DRAWN | Benson 2020/12/18 |
| | 圖號 DRAWING NO. | GW133-BN409 | 版本 REV. | B | 核對 CHECKED | Josh 2020/12/18 |
| | 客戶品號 CUSTOMER P/N | | 比例 SCALE | None | 承認 APPROVED | Josh 2020/12/18 |
| | 公差 TOLERANCE | .X ± 0.25 .XX ± 0.12 | 單位 UNIT | mm | 第三 ANGLE PROJECTION | |
| | | | | | | |

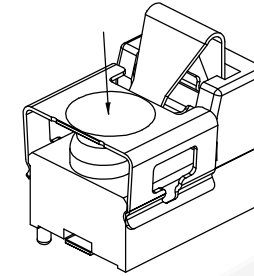
| | | | |
|------|---------------------------------------|---------|------------|
| | Add the Accessories options one latch | Benson | 2021/07/21 |
| REV. | ECN NO. OR DESCRIPTION | REVISED | DATE |



Two Latch



PICK & PLACE AREA Ø3.2



| ITEM | PART NAME | Q'TY | MATERIAL | PLATING |
|------|-----------|------|-----------------|-----------|
| 1 | BODY | 1 | LCP | |
| 2 | LATCH | 1 | PHOSPHOR BRONZE | TIN 100µ" |
| 3 | COVER | 1 | STAINLESS | N/A |

| | | | | | | |
|----------------------|-------------------------------------|-------------|------|------------------------------|----------------------|-----|
| 品名 TITLE | 0.8mm MINI PCI EXPRESS R/A SMT TYPE | | | | 頁數 Page | 2/6 |
| 品號 PART NO. | 5PCE6HSN6-52S0NHU-GX | | | 繪圖 DRAWN | Benson 2020/12/18 | |
| 圖號 DRAWING NO. | GW133-BN409 | 版本 REV. | B | 核對 CHECKED | Josh 2020/12/18 | |
| 客戶品號 CUSTOMER P/N | | 比例 SCALE | None | 承認 APPROVED | Josh 2020/12/18 | |
| 公差 TOLERANCE | .X ± 0.25 .XX ± 0.20 | 單位 UNIT | mm | THIRD ANGLE PROJECTION | | |

糧德精密有限公司
Amtek Technology Co., Ltd.

TEL: 886-2-2260-6878
FAX: 886-2-2260-8030

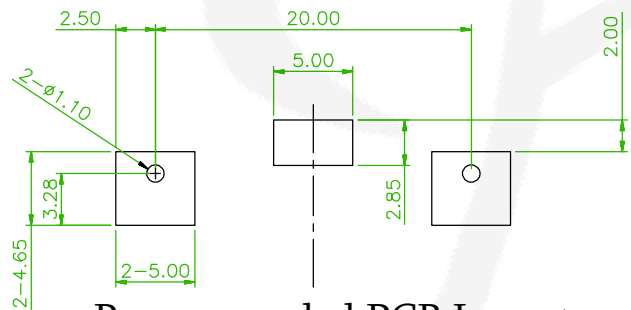
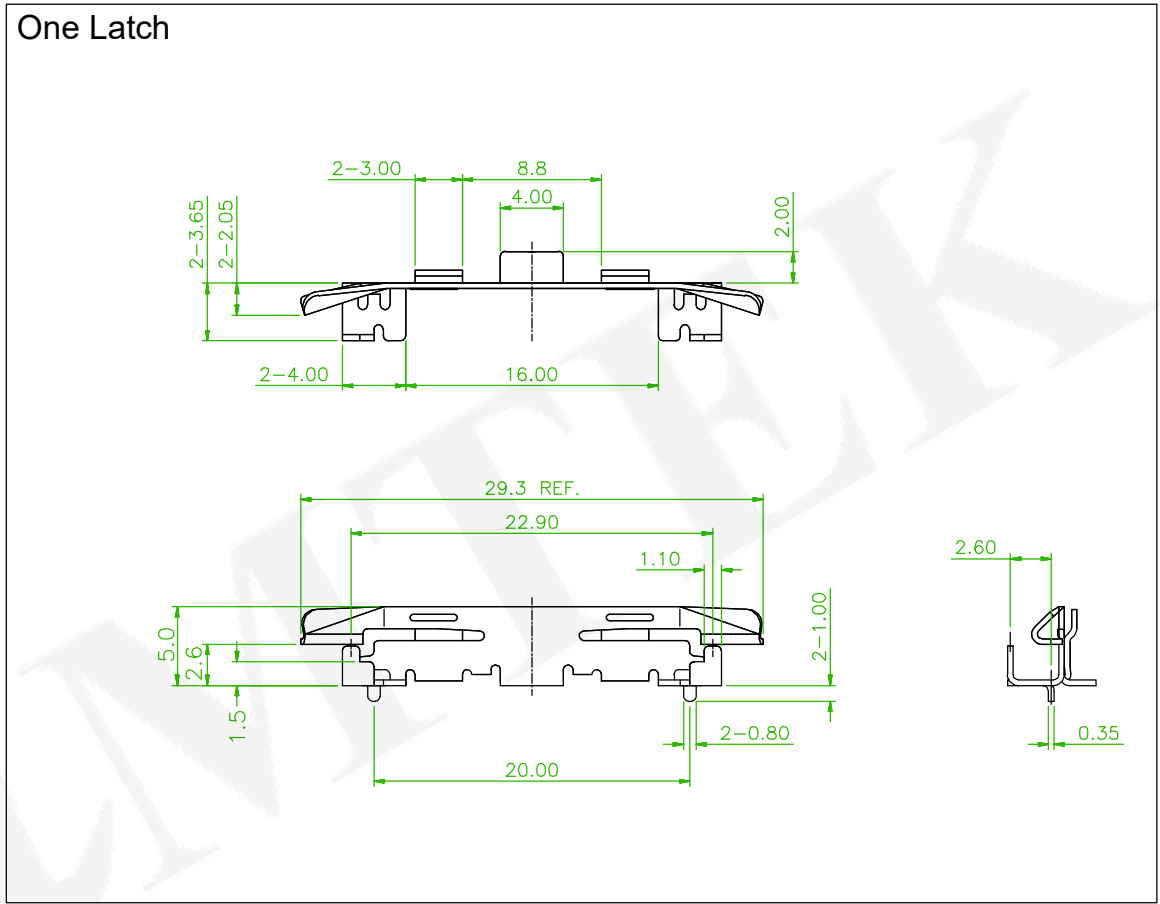
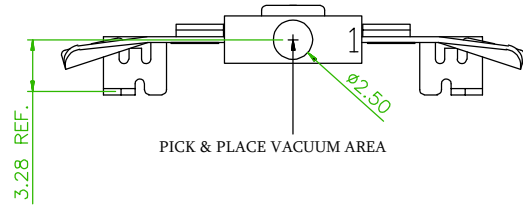
| | | | |
|------|---------------------------------------|---------|------------|
| REV. | ECN NO. OR DESCRIPTION | REVISED | DATE |
| Ax3 | Add the Accessories options one latch | Benson | 2021/07/21 |

MATERIAL

LATCH :SUS301 3/4H,Tin 80~120u" Plated
Holder:LCP,UL 94V-0,BLACK



One Latch

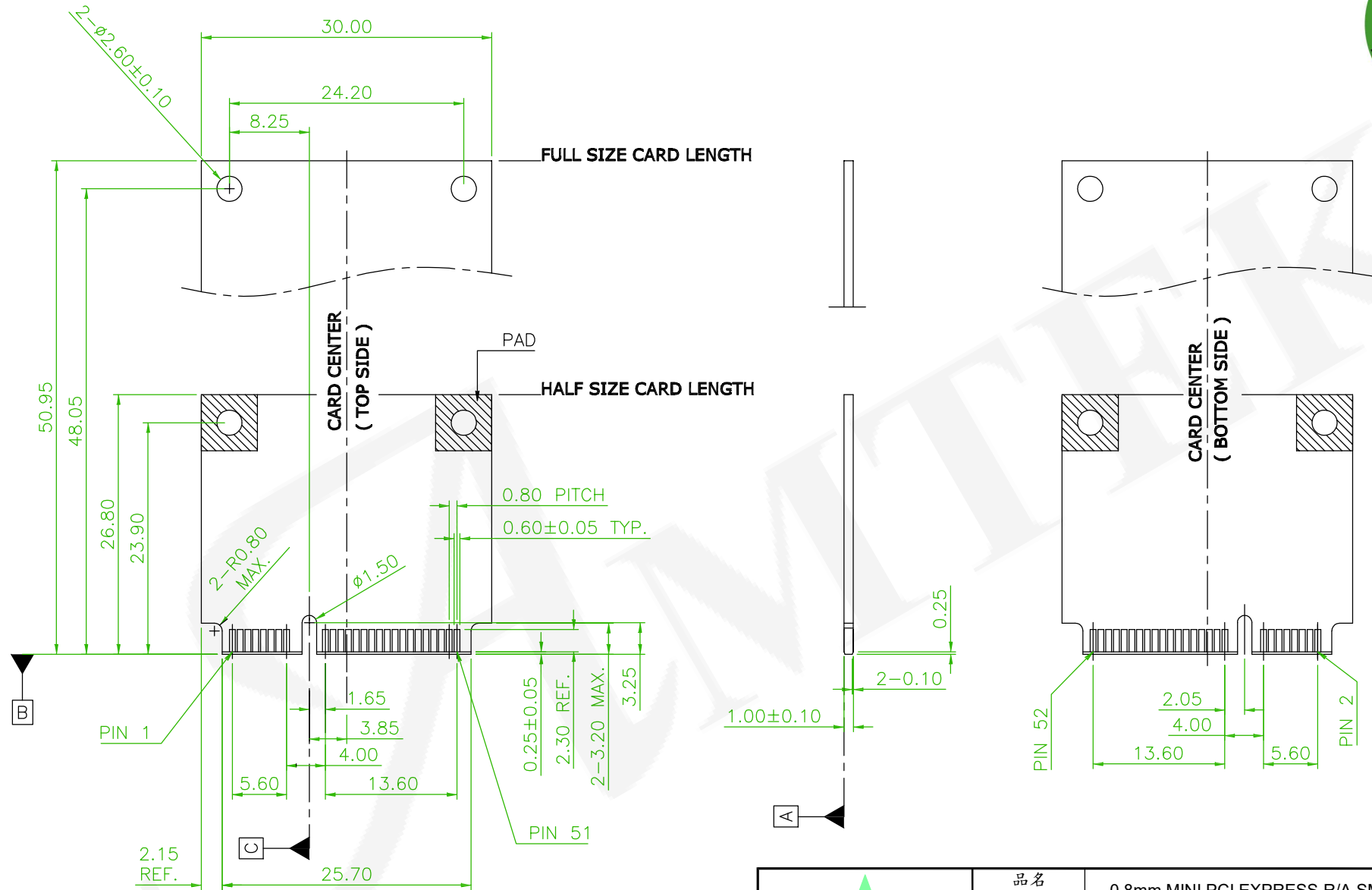



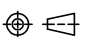
Recommended PCB Layout
(PCB TOLERANCE ±0.05)

Amtek Technology Co., Ltd.
TEL: 886-2-2260-6878
FAX: 886-2-2260-8030

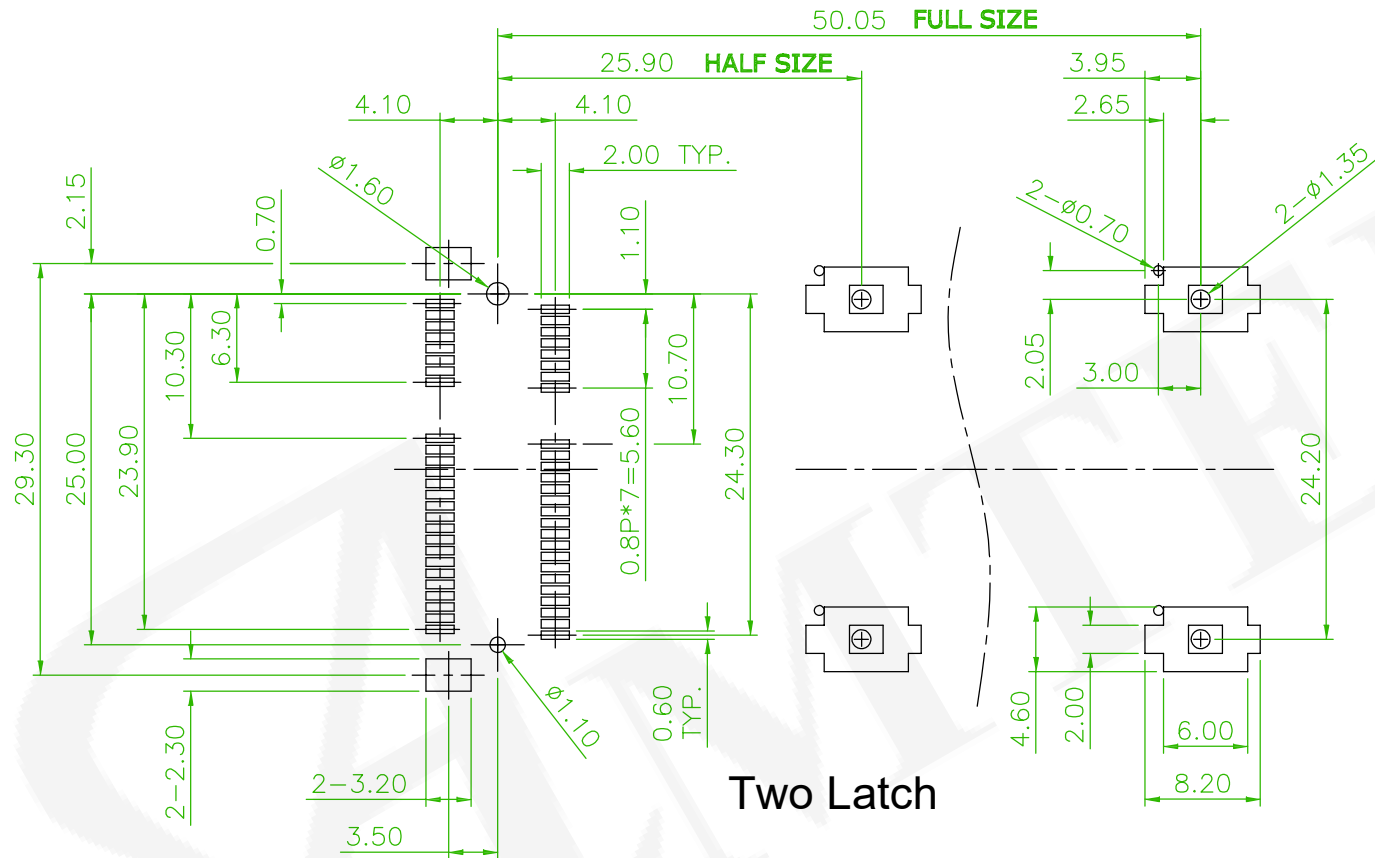
| | | | | | | |
|----------------------|-------------------------|-------------|------------|----------------|------------------------------|-----|
| 品名 TITLE | MINI PCI EXPRESS | | | | 頁數 Page | 3/6 |
| 品號 PART NO. | 5PCE6HSN6-52SONHU-GX | | | 繪圖 DRAWN | Benson 2020/12/18 | |
| 圖號 DRAWING NO. | GW133-BN409 | 版本 REV. | B | 核對 CHECKED | Josh 2020/12/18 | |
| 客戶品號 CUSTOMER P/N | | 比例 SCALE | None | 承認 APPROVED | Josh 2020/12/18 | |
| 公差 TOLERANCE | .X ± 0.25 .XX ± 0.12 | X°±5° | 單位 UNIT | mm | THIRD ANGLE PROJECTION | |

| | | | |
|------|---------------------------------------|---------|------------|
| △x3 | Add the Accessories options one latch | Benson | 2021/07/21 |
| REV. | ECN NO. OR DESCRIPTION | REVISED | DATE |



| | | | | | | |
|--|----------------------|-------------------------------------|-------------|------|------------------------------|---|
|  糧德精密有限公司 Amtek Technology Co., Ltd. TEL: 886-2-2260-6878 FAX: 886-2-2260-8030 | 品名 TITLE | 0.8mm MINI PCI EXPRESS R/A SMT TYPE | | | 頁數 Page | 4/6 |
| | 品號 PART NO. | 5PCE6HSN6-52S0NHU-GX | | | 繪圖 DRAWN | Benson 2020/12/18 |
| | 圖號 DRAWING NO. | GW133-BN409 | 版本 REV. | B | 核對 CHECKED | Josh 2020/12/18 |
| | 客戶品號 CUSTOMER P/N | | 比例 SCALE | None | 承認 APPROVED | Josh 2020/12/18 |
| | 公差 TOLERANCE | .X ± 0.25 .XX ± 0.12 | 單位 UNIT | mm | THIRD ANGLE PROJECTION |  |

| | | | |
|------|---------------------------------------|---------|------------|
| REV. | ECN NO. OR DESCRIPTION | REVISED | DATE |
| Ax3 | Add the Accessories options one latch | Benson | 2021/07/21 |



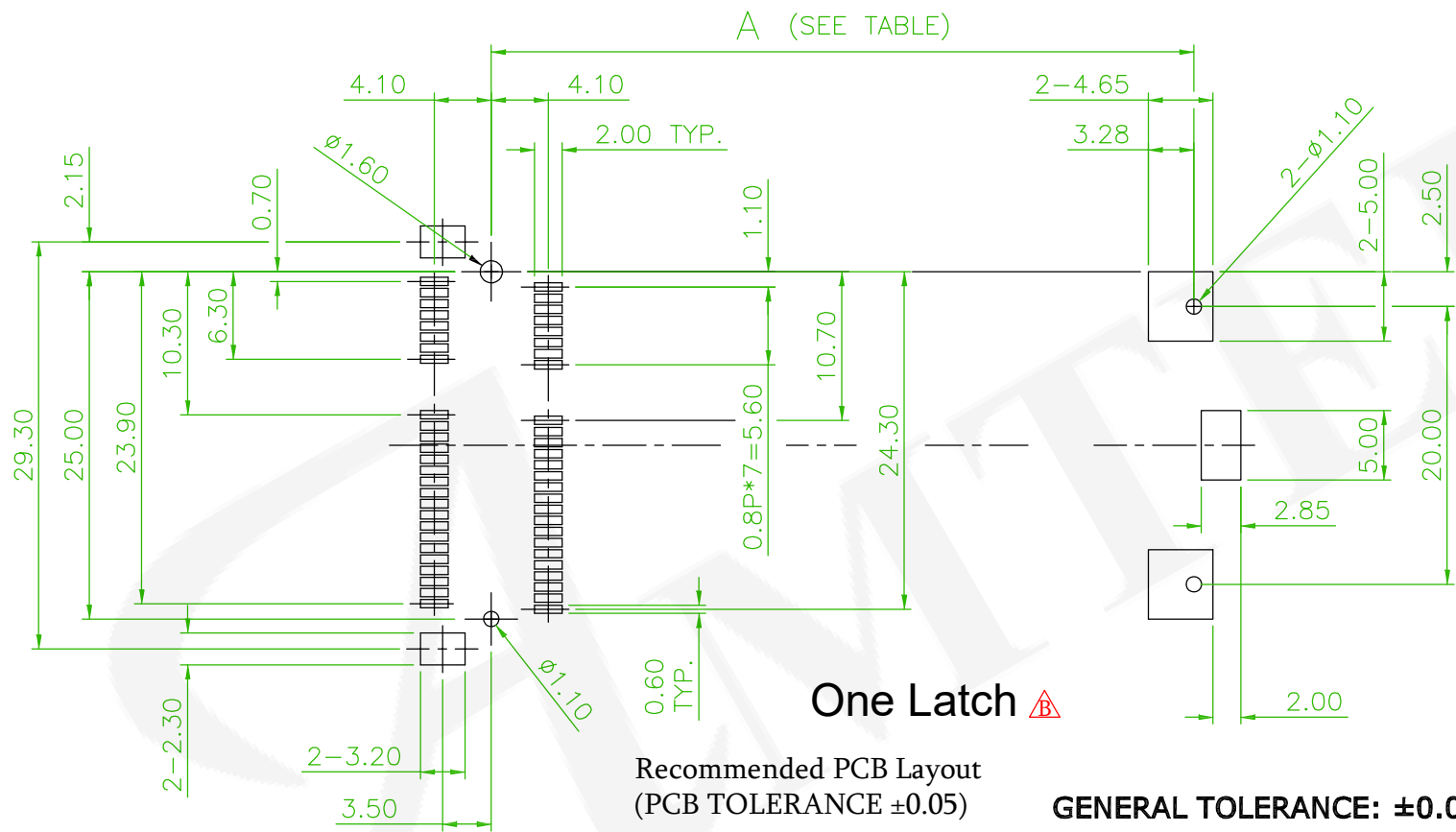
Two Latch

Recommended PCB Layout
(PCB TOLERANCE ± 0.05)



| | | | | | |
|----------------------|-------------------------------------|-------------|------|------------------------------|----------------------|
| 品名 TITLE | 0.8mm MINI PCI EXPRESS R/A SMT TYPE | | | 頁數 Page | 5/6 |
| 品號 PART NO. | 5PCE6HSN6-52S0NHU-GX | | | 繪圖 DRAWN | Benson 2020/12/18 |
| 圖號 DRAWING NO. | GW133-BN409 | 版本 REV. | B | 核對 CHECKED | Josh 2020/12/18 |
| 客戶品號 CUSTOMER P/N | | 比例 SCALE | None | 承認 APPROVED | Josh 2020/12/18 |
| 公差 TOLERANCE | | 單位 UNIT | mm | THIRD ANGLE PROJECTION | |

| | | | |
|------|---------------------------------------|---------|------------|
| REV. | ECN NO. OR DESCRIPTION | REVISED | DATE |
| | Add the Accessories options one latch | Benson | 2021/07/21 |



Recommended PCB Layout
(PCB TOLERANCE ±0.05)

GENERAL TOLERANCE: ±0.05mm

| CARD DIMENSIONS | | A |
|-----------------|------------|---------|
| FULL SIZE | 30*50.95mm | 50.58mm |
| HALF SIZE | 30*26.80mm | 26.43mm |

糧德精密有限公司
 Amtek Technology Co., Ltd.
 TEL: 886-2-2260-6878
 FAX: 886-2-2260-8030

| | | | | | | |
|----------------------|----------------------|-------------|------|------------------------------|----------------------|-----|
| 品名 TITLE | MINI PCI EXPRESS | | | | 頁數 Page | 6/6 |
| 品號 PART NO. | 5PCE6HSN6-52S0NHU-GX | | | 繪圖 DRAWN | Benson 2020/12/18 | |
| 圖號 DRAWING NO. | GW133-BN409 | 版本 REV. | B | 核對 CHECKED | Josh 2020/12/18 | |
| 客戶品號 CUSTOMER P/N | | 比例 SCALE | None | 承認 APPROVED | Josh 2020/12/18 | |
| 公差 TOLERANCE | | 單位 UNIT | mm | THIRD ANGLE PROJECTION | | |

| | | | |
|------|---------------------------------------|---------|------------|
| △x3 | Add the Accessories options one latch | Benson | 2021/07/21 |
| REV. | ECN NO. OR DESCRIPTION | REVISED | DATE |