

**SPECIFICATION**

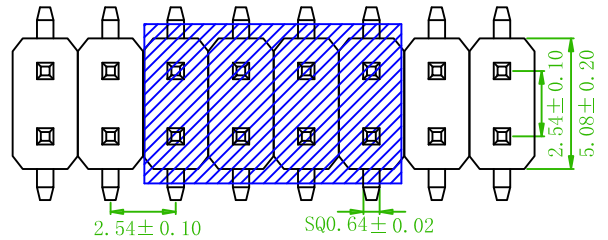
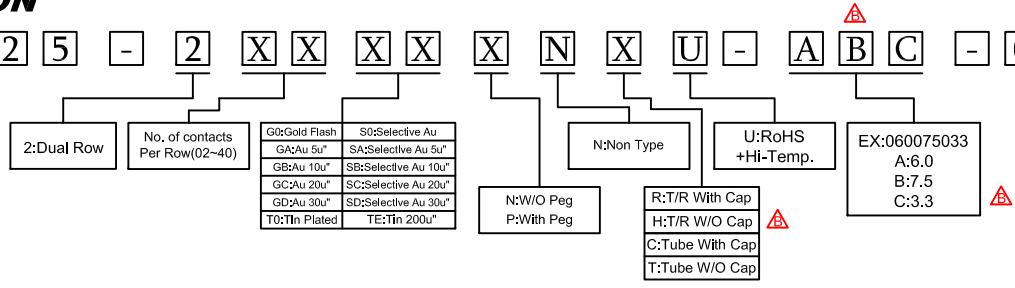
Current Rating: 3 AMP  
 Insulation Resistance: 1000MΩ Min.  
 Contact Resistance: 20mΩ Max.  
 Dielectric Voltage: 500V AC for one minute  
 Operation Temperature: -40 °C to +105 °C

**MATERIAL**

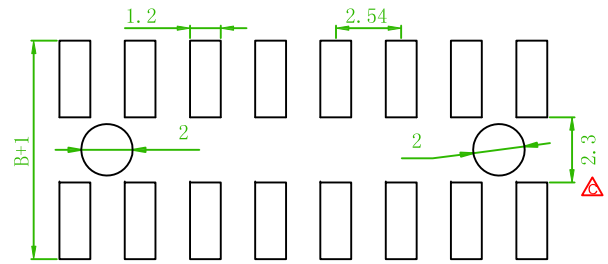
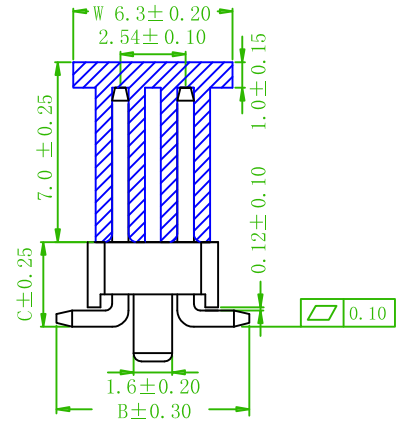
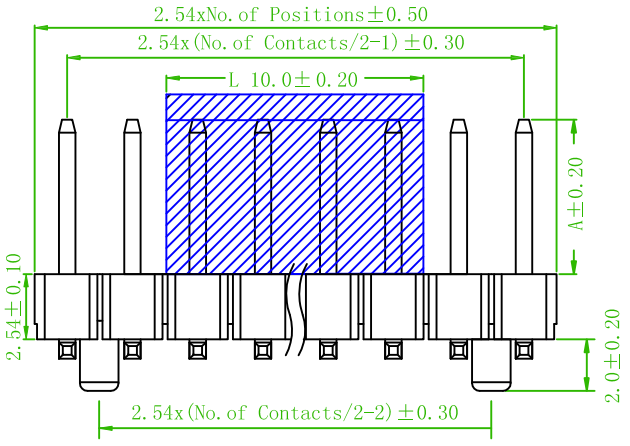
Insulator: Hi-Temp. Thermoplastic, UL 94V-0  
 Contact Pin: Copper Alloy

**ORDER INFORMATION**

5 P H 1 M S B 2 5 - 2 X X X X X N X U - A B C - 0 0



Note:  
 2x2P Cap=L5.0 x W6.3 x H7.0mm



Recommended PCB Layout  
 (PCB TOLERANCE ±0.05)

Old Part No. : PH1M25-2XX-U

△	Modify P.C.B Layout	C	2017/03/20 Gary
△	Modify order information	B	2017/01/26 Gary
REV.	ECN NO. OR DESCRIPTION	REVISED	DATE

糧德精密有限公司  
 Amtek Technology Co., Ltd.  
 TEL: 886-2-2260-6878  
 FAX: 886-2-2260-8030

品名 TITLE	PIN HEADER 2.54mm SMT TYPE PLASTIC HEIGHT 2.5mm				頁數 Page	1/1
品號 PART NO.	5PH1MSB25-2XXXXXNXU -XXXXXXXXXX-00			繪圖 DRAWN	Mia 2016/09/13	
圖號 DRAWING NO.	GN110-GA187	版本 REV.	C	核對 CHECKED	Jonny 2016/09/13	
客戶品號 CUSTOMER P/N		比例 SCALE	None	承認 APPROVED	Aaron 2016/09/13	
公差 TOLERANCE	.X ± 0.30 .XX ± 0.20	.X° ± 5	單位 UNIT	mm	THIRD ANGLE PROJECTION	