

SPECIFICATIONS

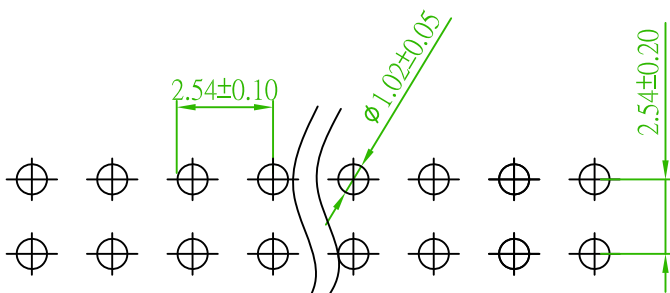
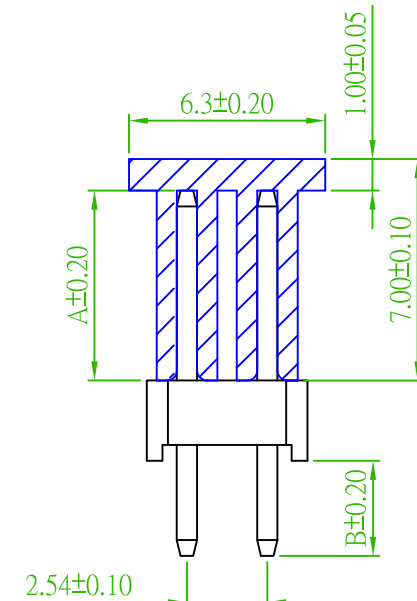
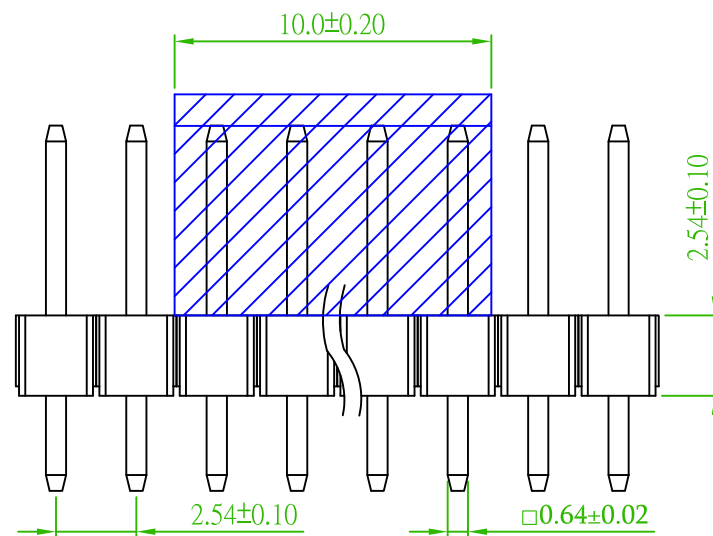
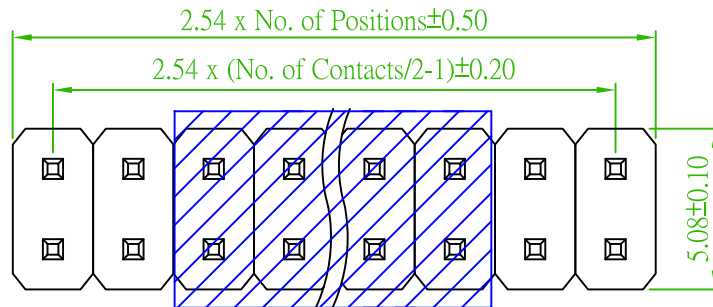
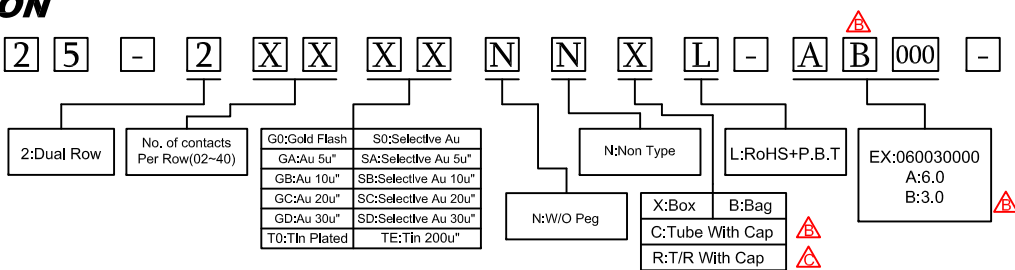
Current Rating: 3 AMP
 Insulation Resistance: 1000MΩ Min.
 Contact Resistance: 20mΩ Max.
 Dielectric Voltage: 1000V AC for one minute
 Operation Temperature: -40 °C to +105 °C

MATERIAL

Insulator: P.B.T, UL 94V-0
 Contact Pin: Copper Alloy

ORDER INFORMATION

5 P H 1 S D A 2 5 - 2 X X X X N N X L - A B 000 - 0 0



Recommended PCB Layout
(PCB TOLERANCE ±0.05)

Old Part No. :PH1S25-2XX-L

| | | | |
|------|--------------------------|---------|--------------------|
| | | | |
| △ | Add the Package | C | 2017/03/07 Mia |
| △ | Modify order information | B | 2017/01/26 Gary |
| REV. | ECN NO. OR DESCRIPTION | REVISED | DATE |

耀德精密有限公司
 Amtek Technology Co., Ltd.
 TEL: 886-2-2260-6878
 FAX: 886-2-2260-8030

| | | | | | | |
|----------------------|--|-------------|------------|----------------|------------------------------|-------------------|
| 品名 TITLE | PIN HEADER 2.54mm PLASTIC HEIGHT 2.5mm DIP STRAIGHT | | | | 頁數 Page | 1/1 |
| 品號 PART NO. | 5PH1SDA25-2XXXXNXXL -XXXXXX000-00 | | | | 繪圖 DRAWN | Mia 2015/08/24 |
| 圖號 DRAWING NO. | GN016-GA175 | 版本 REV. | C | 核對 CHECKED | John 2015/08/24 | |
| 客戶品號 CUSTOMER P/N | | 比例 SCALE | None | 承認 APPROVED | John 2015/08/24 | |
| 公差 TOLERANCE | .X ± 0.35 .XX ± 0.25 | .X° ±3 | 單位 UNIT | mm | THIRD ANGLE PROJECTION | |