

ORDER INFORMATION

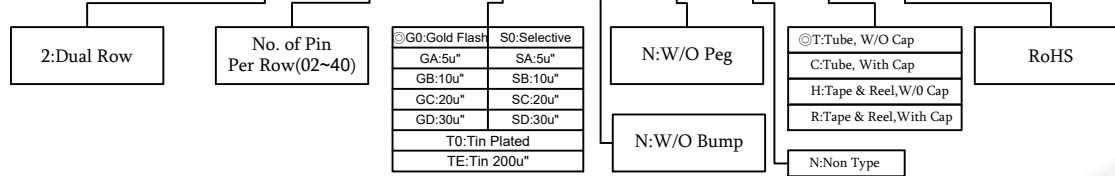
SPECIFICATIONS

Current Rating: 2 AMP
 Insulation Resistance: 1000MΩ Min.
 Contact Resistance: 20mΩ Max.
 Dielectric Voltage: 500V AC for one minute
 Operation Temperature: -40°C to +105°C

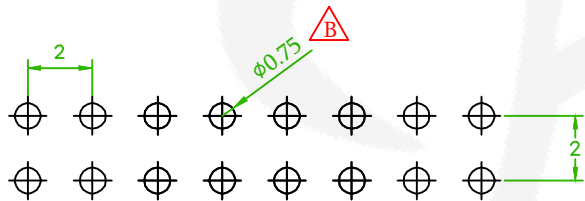
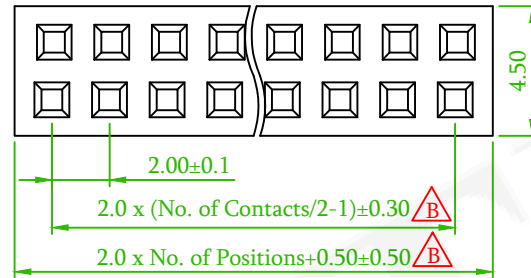
MATERIAL

Insulator: Hi-Temp. Thermoplastic, UL94V-0, Black
 Contact Pin: Copper Alloy

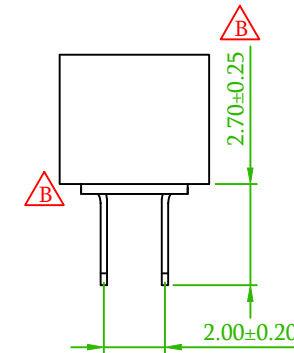
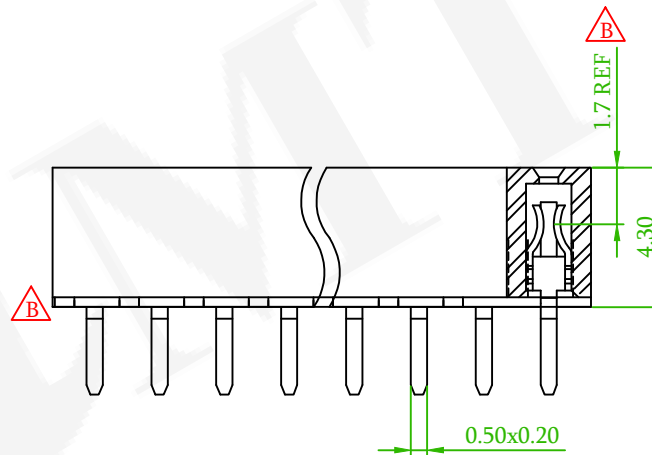
5 P S 2 S D B 4 3 - 2 X X X X N N N X U - 0 0



AMTEK 耀德
 2021.07.01
 Released DCC



Recommended PCB Layout
 (PCB TOLERANCE ± 0.05)



Old Part No. : PS2S43-2XX-U

 耀德精密有限公司 Amtek Technology Co., Ltd. TEL: 886-2-2260-6878 FAX: 886-2-2260-8030	品名 TITLE	FEMALE HEADER 2.0mm			頁數 Page	1/1
	品號 PART NO.	5PS2SDB43-2XXXXNXXU-00			繪圖 DRAWN	Joe 2010/09/21
	圖號 DRAWING NO.	GN005-RL172	版本 REV.	B	核對 CHECKED	Kelvin 2010/09/21
	客戶品號 CUSTOMER P/N		比例 SCALE	None	承認 APPROVED	James 2010/09/21
	公差 TOLERANCE	.X ± 0.38 .XX ± 0.25	X° $\pm 3^\circ$	單位 UNIT	mm	THIRD ANGLE PROJECTION

Δ x8	ECN NO.210617: Revise the drawing	David	2021/07/01
REV.	ECN NO. OR DESCRIPTION	REVISED	DATE