

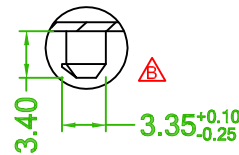
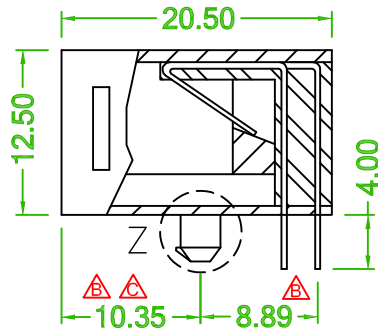
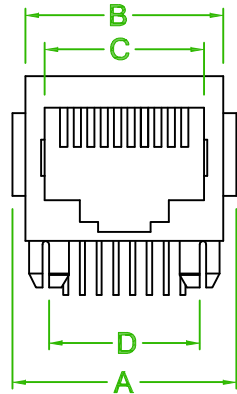
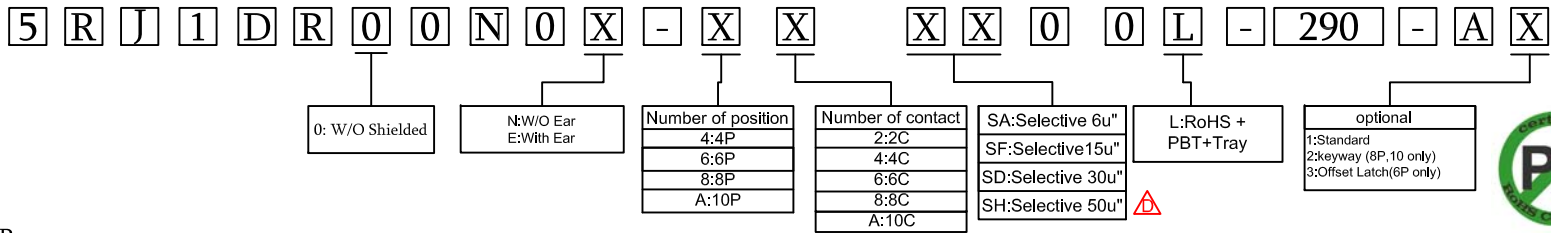
SPECIFICATIONS ⚠

Current Rating: 1.5 AMP
 Insulation Resistance: 500M Ω Min.
 Contact Resistance: 30mΩ Max.
 Dielectric Voltage: 1000V AC for one minute
 Operation Temperature: -40 °C to +85 °C
 Durability: 750 cycles min.

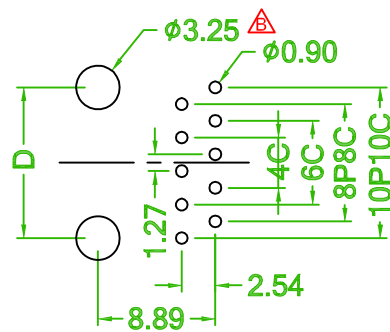
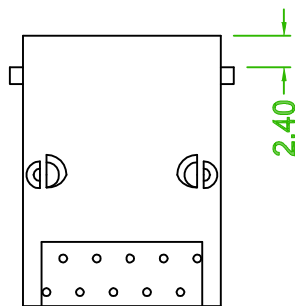
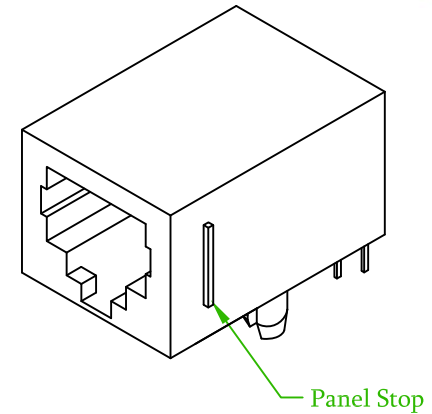
MATERIAL

Insulator: PBT, UL 94V-0
 Conductor: 0.35 x 0.42mm thickness Phosphor Bronze
 Plating: Gold plated over nickel on contact area,
 Tin plated over nickel on solder area.

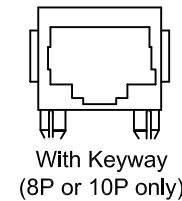
ORDER INFORMATION



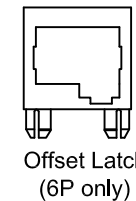
DETAIL Z



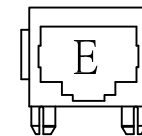
Recommended PCB Layout
(PCB TOLERANCE ±0.1)



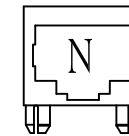
With Keyway
(8P or 10P only)



Offset Latch
(6P only)



With Ear



Without Ear



| POSITION | CONTACT | A | B | C | D |
|----------|------------|-------|-------|--------|-------|
| 4P | 4C | 13.70 | 11.20 | 7.75 ⚠ | 7.62 |
| 6P | 2C/4C/6C | 15.60 | 13.20 | 9.90 | 10.16 |
| 8P | 4C/6C/8C ⚠ | 17.40 | 15.00 | 11.90 | 11.43 |
| 10P | 10C | 17.40 | 15.00 | 11.90 | 11.43 |

| REV. | ECN NO. OR DESCRIPTION | REVISED | DATE |
|------|--|---------|------------|
| ⚠x1 | ECN NO.180605 Revise the Plated:S5->SH | Mia | 2018/09/27 |
| ⚠x1 | ECN NO.180103 Revise the drawing | Mia | 2018/03/26 |
| ⚠x7 | ECN NO.170714 Revise the drawing | Mia | 2017/08/25 |

耀德精密有限公司
 Amtek Technology Co., Ltd.
 TEL: 886-2-2260-6878
 FAX: 886-2-2260-8030

| 品名 TITLE | MODULAR JACK SIDE ENTRY H=12.5 W=20.5 | | | | 頁數 Page | 1/1 |
|----------------------|--|------------|-------------|------------------------------|----------------|--------------------|
| 品號 PART NO. | 5RJ1DR00N0X-XXXX00L-290-AX | | | | 繪圖 DRAWN | Jeff 2015/09/16 |
| 圖號 DRAWING NO. | GW005-MC635 | | 版本 REV. | D | 核對 CHECKED | John 2015/09/16 |
| 客戶品號 CUSTOMER P/N | | | 比例 SCALE | None | 承認 APPROVED | John 2015/09/16 |
| 公差 TOLERANCE | .X ±0.25 .XX ±0.20 | 單位 UNIT | mm | THIRD ANGLE PROJECTION | | |

Old Part No.:290-L