

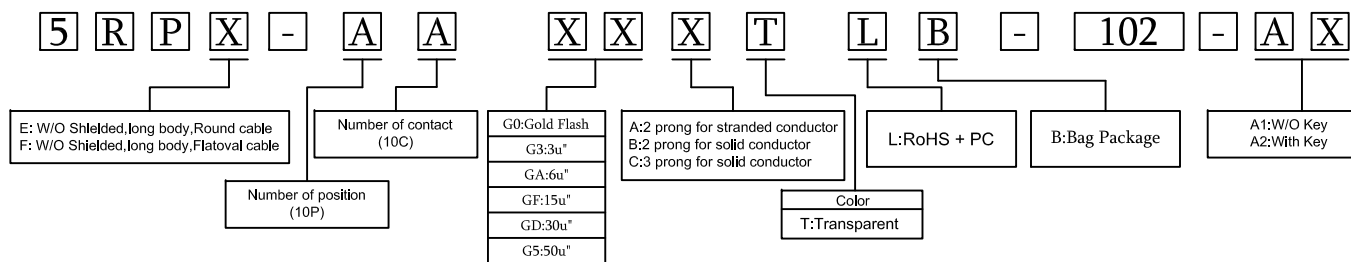
SPECIFICATION

Current Rating: 1.5 AMP
 Insulation Resistance: 500MΩ Min.
 Contact Resistance: 30mΩ Max.
 Dielectric Voltage: 1000VAC for one minute
 Operating Temperature: -40°C to 85°C
 Mating Cycles: 750 cycles min.

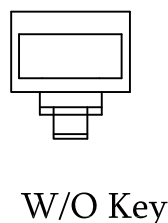
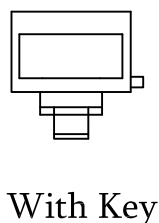
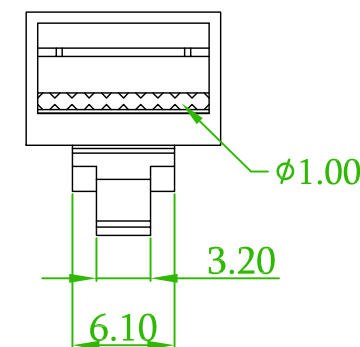
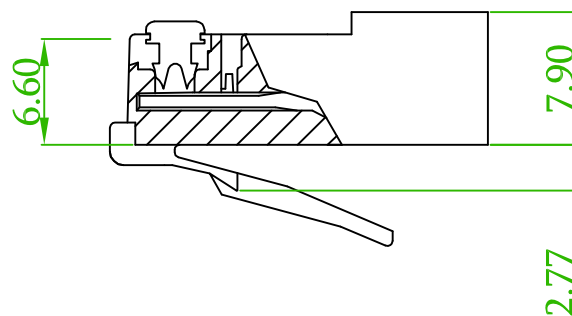
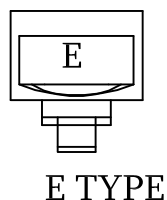
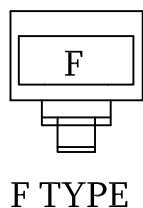
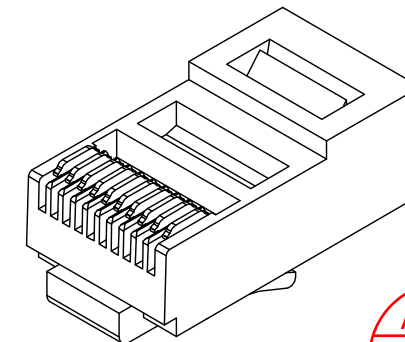
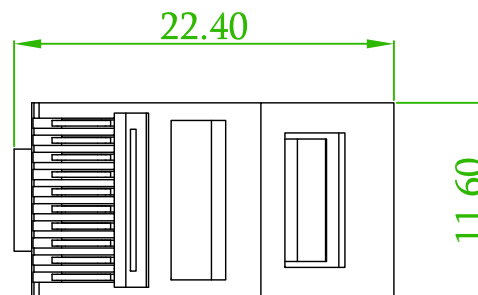
MATERIAL

Insulator: PC , UL94V-2
 Contact Pin: Copper Alloy
 Plating: Gold Plated over Nickel

ORDER INFORMATION



| Type of Solid Conductor | |
|-------------------------|--|
| A | |
| B | |
| C | |



| | | | | | | |
|--|----------------------|----------------------|-------------|------|------------------------------|---------------------|
| 糧德精密有限公司 Amtek Technology Co., Ltd. TEL: 886-2-2260-6878 FAX: 886-2-2260-8030 | 品名 TITLE | MODULAR PLUG | | | 頁數 Page | 1/1 |
| | 品號 PART NO. | 5RPX-AAXXXTLB-102-AX | | | 繪圖 DRAWN | Mia 2017/11/14 |
| | 圖號 DRAWING NO. | GW005-MC747 | 版本 REV. | A | 核對 CHECKED | Jason 2017/09/18 |
| | 客戶品號 CUSTOMER P/N | | 比例 SCALE | None | 承認 APPROVED | Jason 2017/09/18 |
| | 公差 TOLERANCE | ±0.15 | 單位 UNIT | mm | THIRD ANGLE PROJECTION | |
| | | | | | | |

| REV. | ECN NO. OR DESCRIPTION | REVISED | DATE |
|------|------------------------|---------|------|
| | | | |
| | | | |
| | | | |