

SPECIFICATION

Voltage Rating:3V AC /DC
Contact Resistance:30mΩ Max.

MATERIAL

Housing:PA66 30%G.F,UL94V-0 ^{△B}
Contact:Stainless Steel

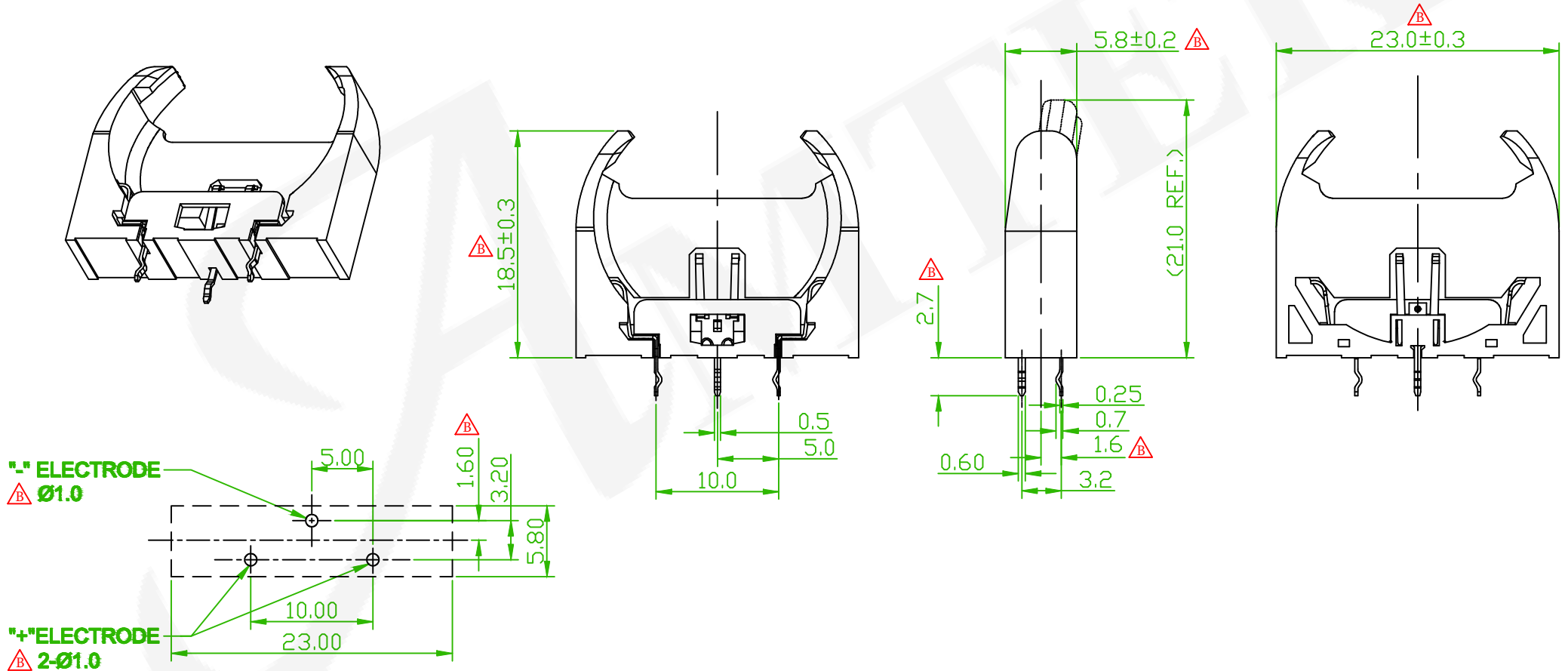
ORDER INFORMATION

5 S B D 2 0 3 2 U H - S 0 B L A - A 0 2

S0:Selective Au" B:Black RoHS A:Tray



AMTEK 糧德
2021.04.27
Released DCC



Recommended PCB Layout
(PCB TOLERANCE ±0.05)

糧德精密有限公司
Amtek Technology Co., Ltd.
TEL: 886-2-2260-6878
FAX: 886-2-2260-8030

品名 TITLE	BATTERY HOLDER				頁數 Page	1/1
品號 PART NO.	5SBD2032UH-S0BLA-A02 ^{△B}			繪圖 DRAWN	Roy 2017/09/13	
圖號 DRAWING NO.	GN036-RR007	版本 REV.	B	核對 CHECKED	Carol 2017/09/13	
客戶品號 CUSTOMER P/N		比例 SCALE	None	承認 APPROVED	Jason 2017/09/13	
公差 TOLERANCE	.X ± 0.20 .XX ± 0.10	X° ± 3°	單位 UNIT	mm	THIRD ANGLE PROJECTION	

^{△B} x11	ECN NO.: 210401 Revise the Drawing	Alice	2021/04/22
REV.	ECN NO. OR DESCRIPTION	REVISED	DATE