

# ORDER INFORMATION

5 T 1 0 0 1 N - P

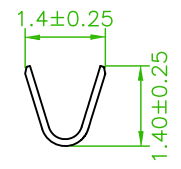
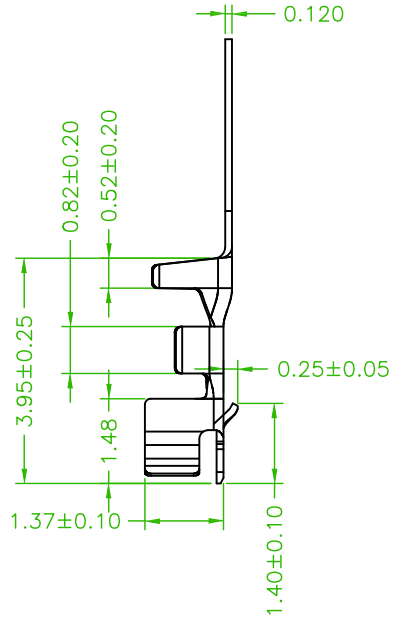
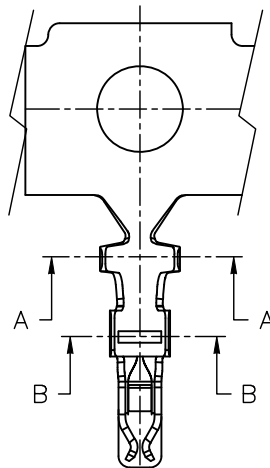
Pitch 1.00mm

P:Phosphor Bronze

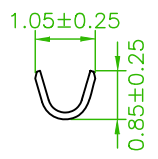
X X R A 0 1

G0:Gold Flash  
T0:Tin Plated

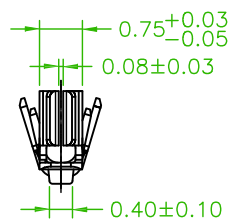
R:Tape&Reel



SEC:A-A




SEC:B-B



Wire Range	Insulation O.D.	Material	Q'ty/Reel
AWG#28-#32	0.80mm(max)	Phosphor Bronze	15,000pcs

Old Part No. : 1001-T-L

REV.	ECN NO. OR DESCRIPTION	REVISED	DATE

 耀德精密有限公司 Amtek Technology Co., Ltd. TEL: 886-2-2260-6878 FAX: 886-2-2260-8030	品名 TITLE	1.0mm TERMINAL				頁數 Page	1/1
	品號 PART NO.	5T1001N-PXXRA01				繪圖 DRAWN	Roy 2016/08/17
	圖號 DRAWING NO.		版本 REV.	A	核對 CHECKED	Boris 2016/08/17	
	客戶品號 CUSTOMER P/N		比例 SCALE	None	承認 APPROVED	Boris 2016/08/17	
	公差 TOLERANCE	.X ±0.25 .XX ±0.15	.X°±1	單位 UNIT	mm	THIRD ANGLE PROJECTION	