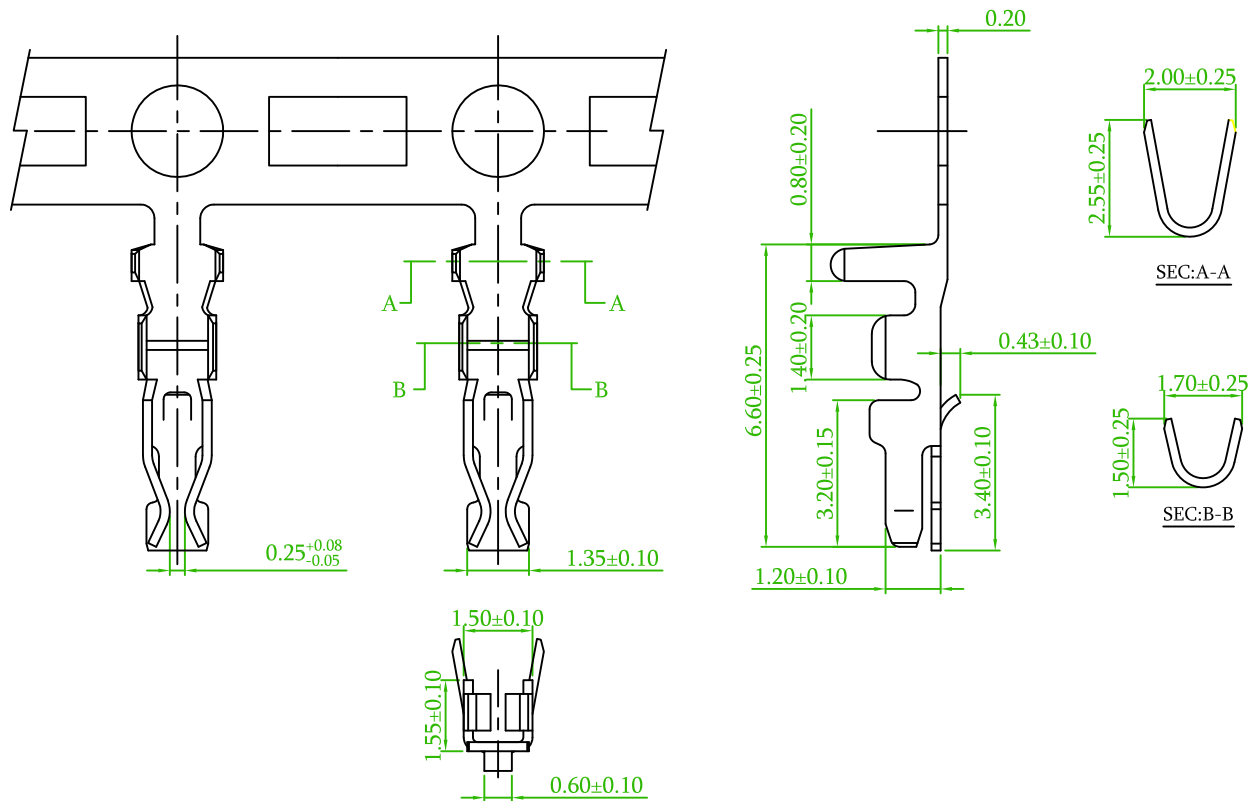
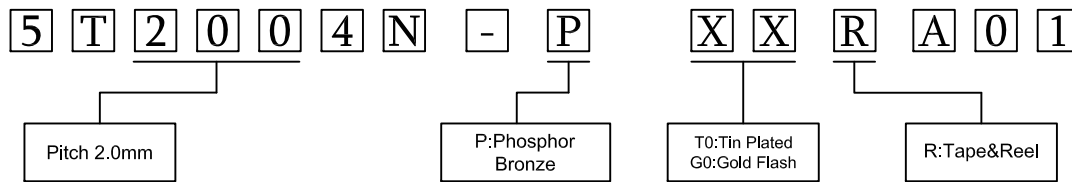


ORDER INFORMATION



Old Part No. : 2004-T-L

Part No	Wire Range	Insulation O.D.	Material	Finish	Qty/reel
5T2004F-PTORA01	AWG#22-#28	1.50mm(max)	Phosphor Bronze	Tin Plated	10,000pcs
5T2004F-PGORA01	AWG#22-#28	1.50mm(max)	Phosphor Bronze	Gold Plated	10,000pcs

Amtek Technology Co., Ltd.

TEL: 886-2-2260-6878
FAX: 886-2-2260-8030

品名 TITLE	2.0mm TERMINAL				頁數 Page	1/1
品號 PART NO.	5T2004N-PXXRA01				繪圖 DRAWN	Mia 2016/09/30
圖號 DRAWING NO.	版本 REV.	A	核對 CHECKED	Jonny 2016/09/30		
客戶品號 CUSTOMER P/N	比例 SCALE	None	承認 APPROVED	Aaron 2016/09/30		
公差 TOLERANCE	.X ± 0.2 .XX ± 0.1	單位 UNIT	mm	THIRD ANGLE PROJECTION		

REV.	ECN NO. OR DESCRIPTION	REVISED	DATE