

ORDER INFORMATION

5 T 2 5 1 1 F - P X X R G 0 1

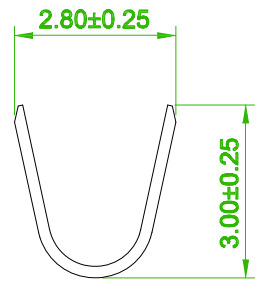
P:Phosphor Bronze

T0: Tin Plated
G0: Gold Plated

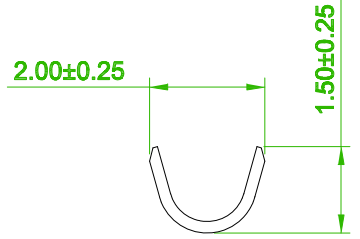
R: Tape & Reel



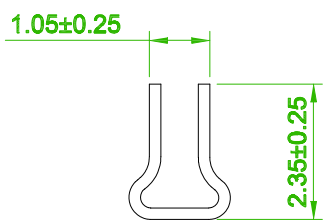
Wire Range	Insulation O.D.	Material
AWG#22-#26	1.8mm Max.	Phosphor Bronze



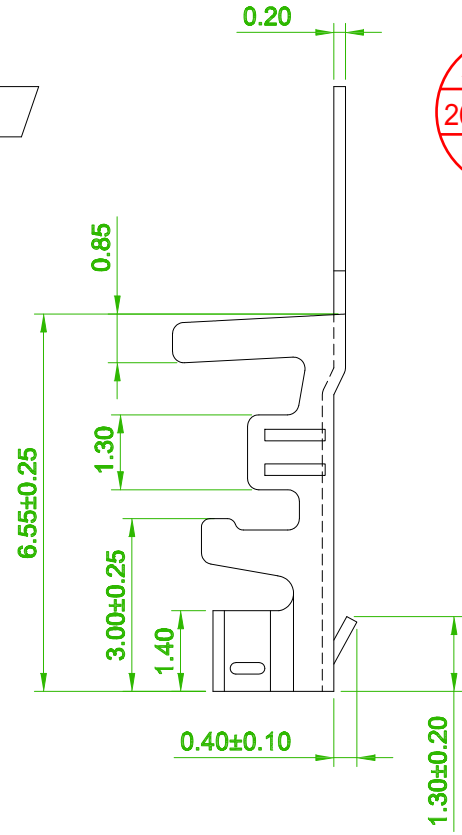
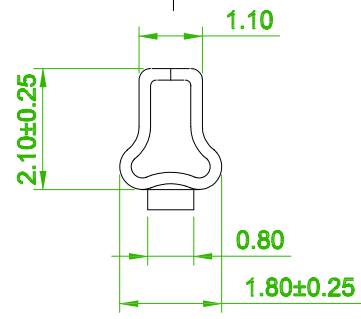
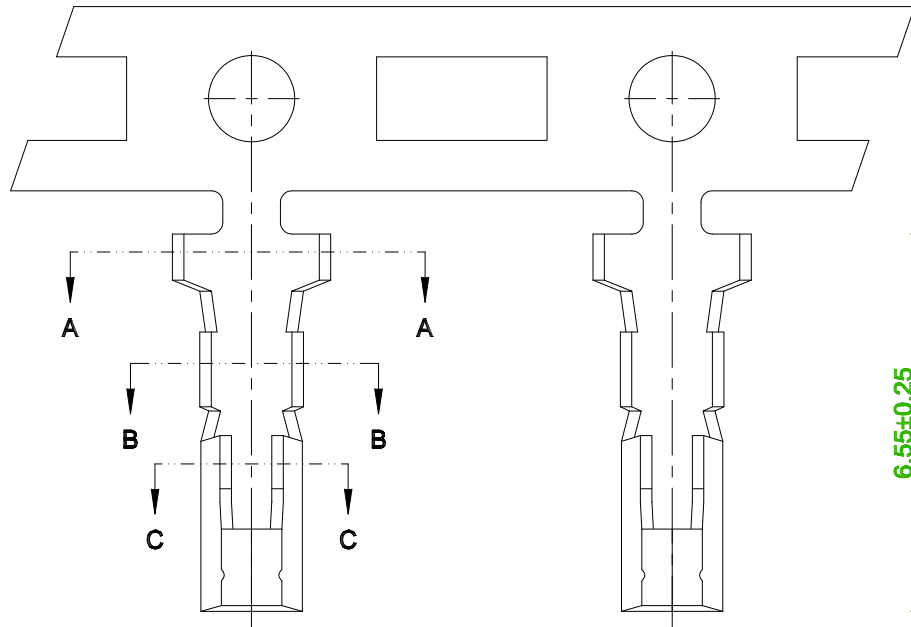
SEC:A-A



SEC:B-B



SEC:C-C



REV.	ECN NO. OR DESCRIPTION	REVISED	DATE

糧德精密有限公司
Amtek Technology Co., Ltd.
TEL: 886-2-2260-6878
FAX: 886-2-2260-8030

品名 TITLE	2.5mm TERMINAL				頁數 Page	1/1
品號 PART NO.	5T2511F-PXXRG01				繪圖 DRAWN	Nick 2019/11/08
圖號 DRAWING NO.	GN014-NI503	版本 REV.	A	核對 CHECKED	Josh 2019/11/08	
客戶品號 CUSTOMER P/N		比例 SCALE	None	承認 APPROVED	Josh 2019/11/08	
公差 TOLERANCE	.X±0.25 .XX±0.20	單位 UNIT	mm	THIRD ANGLE PROJECTION		