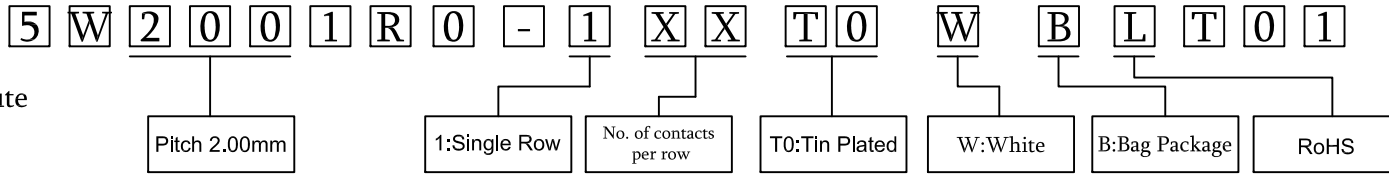


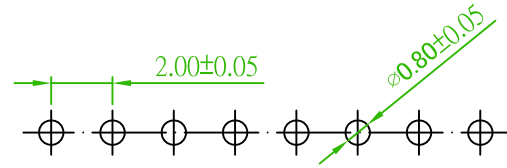
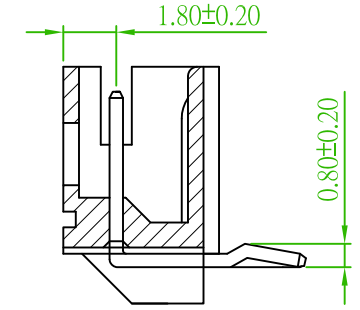
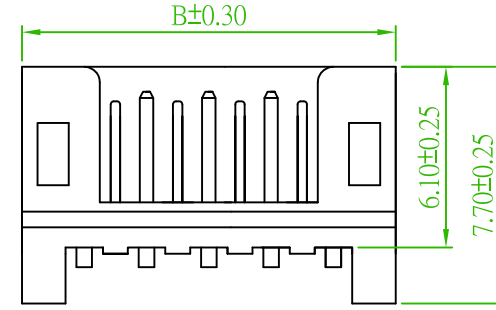
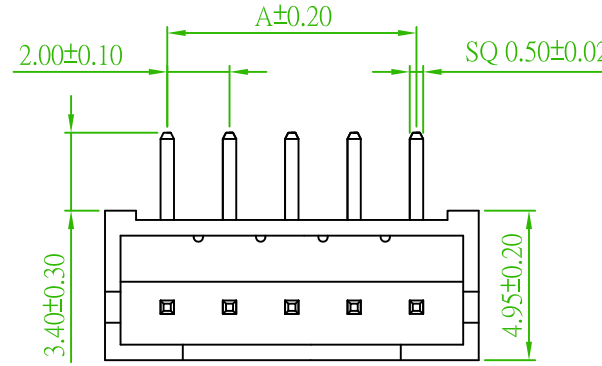
Specifications

Current Rating: 2A AC, DC
 Contact Resistance: 10mΩ Max
 Insulation Resistance: 1000MΩ Min
 Withstanding Voltage: 500V AC/minute
 Temperature Range: -40°C to +85°C
 Pin Material: Brass/Tin-plated
 Material: Nylon 66, UL94V-0

ORDER INFORMATION




Part No.	Dimensions	
	A	B
5W2001R0-102T0WB L T01	2.00	6.00
5W2001R0-103T0WB L T01	4.00	8.00
5W2001R0-104T0WB L T01	6.00	10.00
5W2001R0-105T0WB L T01	8.00	12.00
5W2001R0-106T0WB L T01	10.00	14.00
5W2001R0-107T0WB L T01	12.00	16.00
5W2001R0-108T0WB L T01	14.00	18.00
5W2001R0-109T0WB L T01	16.00	20.00
5W2001R0-110T0WB L T01	18.00	22.00
5W2001R0-111T0WB L T01	20.00	24.00
5W2001R0-112T0WB L T01	22.00	26.00
5W2001R0-113T0WB L T01	24.00	28.00
5W2001R0-114T0WB L T01	26.00	30.00
5W2001R0-115T0WB L T01	28.00	32.00
5W2001R0-116T0WB L T01	30.00	34.00



Recommended PCB Layout
 (PCB TOLERANCE ±0.05)

Old Part No.: 2001R-XXTW-L

REV.	ECN NO. OR DESCRIPTION	REVISED	DATE

 糧德精密有限公司 Amtek Technology Co., Ltd. TEL: 886-2-2260-6878 FAX: 886-2-2260-8030	品名 TITLE	2.0mm WAFER RIGHT ANGLE			頁數 Page	1/1	
	品號 PART NO.	5W2001R0-1XXT0WB L T01		繪圖 DRAWN	Roy 2016/08/12		
	圖號 DRAWING NO.		版本 REV.	A	核對 CHECKED	Boris 2016/08/12	
	客戶品號 CUSTOMER P/N		比例 SCALE	None	承認 APPROVED	Boris 2016/08/12	
	公差 TOLERANCE	.X ± 0.25 .XX ± 0.20	單位 UNIT	mm	THIRD ANGLE PROJECTION	