

SPECIFICATIONS

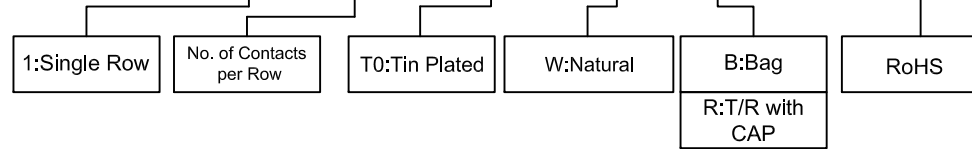
Current Rating: 4A AC, DC
 Voltage Rating: 250V AC, DC
 Temperature Range: -25°C to +85°C
 Contact Resistance: 10mΩ Max.
 Insulation Resistance: 1000MΩ Min.
 Dielectric Voltage: 1000V AC for one minute

MATERIAL

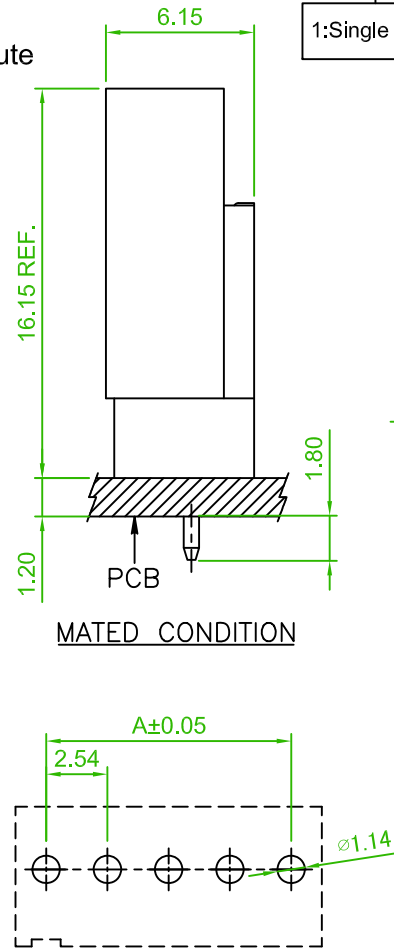
Solder Tabs: Brass
 Contact Pin: LCP, UL94V-0

ORDER INFORMATION

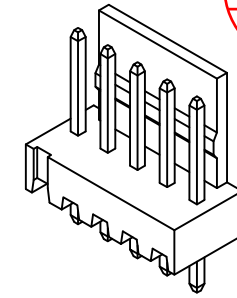
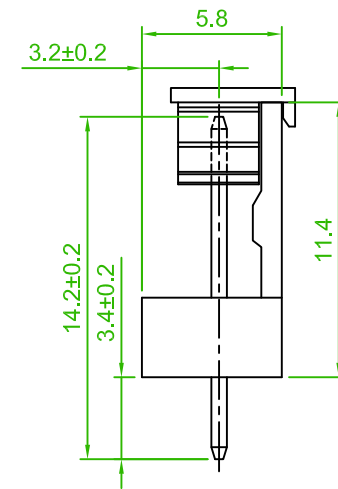
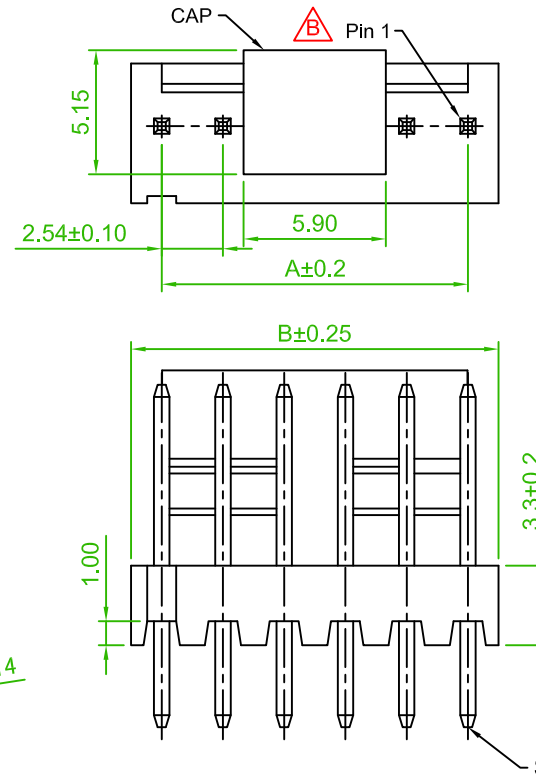
5 W 2 5 4 2 S 0 - 1 X X T 0 W X U A 0 1



No. of contacts	Dimensions	
	A	B
02	2.54	5.08
03	5.08	7.62
04	7.62	10.16
05	10.16	12.70
06	12.70	15.24
07	15.24	17.78
08	17.78	20.32
09	20.32	22.86
10	22.86	25.40
11	25.40	27.94
12	27.94	30.48
13	30.48	33.02
14	33.02	35.56
15	35.56	38.10
16	38.10	40.64
17	40.64	43.18
18	43.18	45.72
19	45.72	48.26
20	48.26	50.80



Recommended PCB Layout
 (PCB TOLERANCE ±0.05)



 糧德精密有限公司 Amtek Technology Co., Ltd. TEL: 886-2-2260-6878 FAX: 886-2-2260-8030	品名 TITLE	2.54mm WAFER S/R V/T DIP TYPE			頁數 Page	1/1
	品號 PART NO.	5W2542S0-1XXT0WXUA01			繪圖 DRAWN	Benson 2019/07/19
	圖號 DRAWING NO.	GW090-BS152	版本 REV.	A	核對 CHECKED	Josh 2019/07/19
	客戶品號 CUSTOMER P/N		比例 SCALE	None	承認 APPROVED	Josh 2019/07/19
	公差 TOLERANCE	.X ± 0.25 .XX ± 0.15	單位 UNIT	mm	THIRD ANGLE PROJECTION	

△B x2	Add the package option H(T/R with CAP),add the cap drawing,revise the Part No.	Nick	2019/08/16
REV.	ECN NO. OR DESCRIPTION	REVISED	DATE