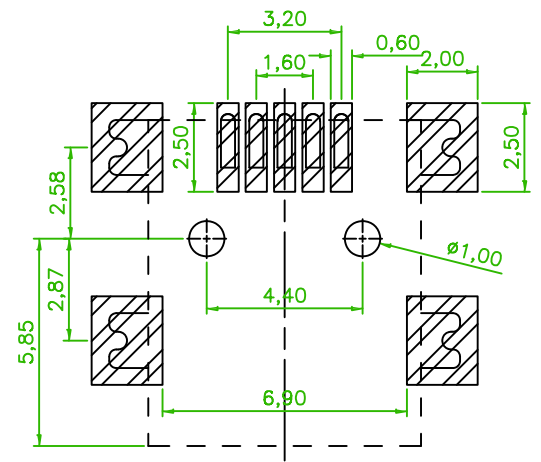
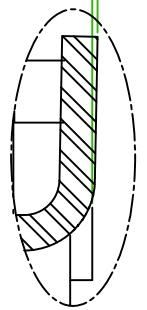
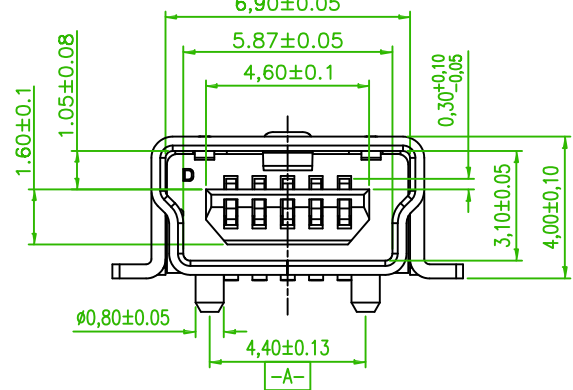
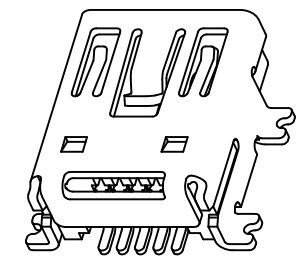


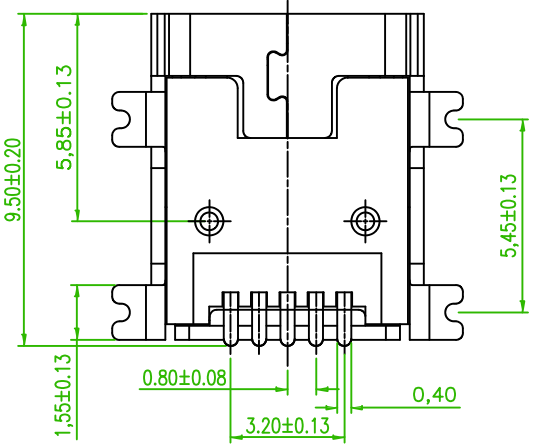
Section:A-A



Recommended P.C.B layout



Detail:B



NOTES:

1. Material:

- Housing: Polyplastics VECTRA LCP E130i +30%GF , UL 94V-0
Color:orange/black
- Terminal:Copper alloy
Selective gold plating on contact area and Tin on solder area
- Shell:Copper alloy
50u" Min. Nickel plating on surface overall.

2. Electrical specification:

- Current Rating:1 Amperes at 250V AC.
- Dielectric Withstanding Voltage:AC 750V at sea level.
- Insulation resistance:100Megohms Min.
- Contact Resistance:50Miliohms Max.
- Operating Temperature:-55° to +85°

3. Mechanical characteristics:

- Mating Force:3.57Kg.Max.
- Unmating Force:0.70Kg.Min./0.3Kgf Min after 5000 cycles

 糧德精密有限公司 Amtek Technology Co., Ltd. TEL:886-2-2260-6878 FAX:886-2-2260-8030	品名 TITLE	MINI USB B TYPE FEMALE SMT 5P				
	品號 PART NO.	MUSB-BS-5B-U			日期 DATE	2015/10/27
	圖號 DRAWING NO.	版本 REV.	A	繪圖 DRAWN	Roy	
	客戶品號 CUSTOMER P/N	比例 SCALE	FREE	核對 CHECKED	Brian	
	公差 TOLERANCE	.X ±0.25 .XX ±0.13	單位 UNIT	mm	核准 APPROVED	John

AREA	REV.	DESCRIPTION	DATE