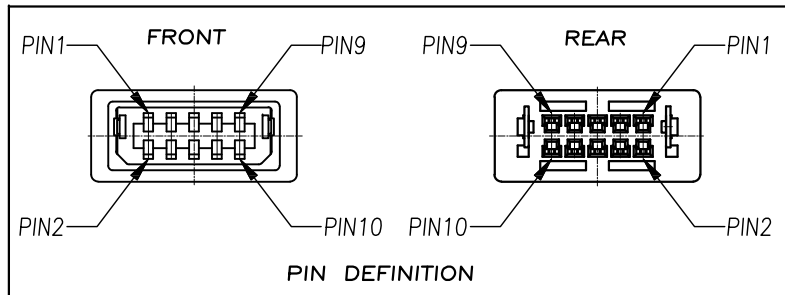
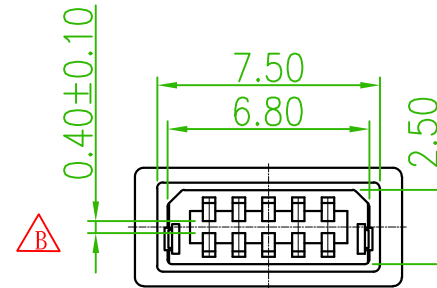
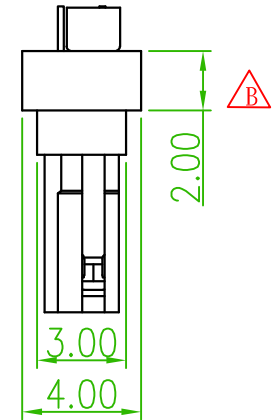
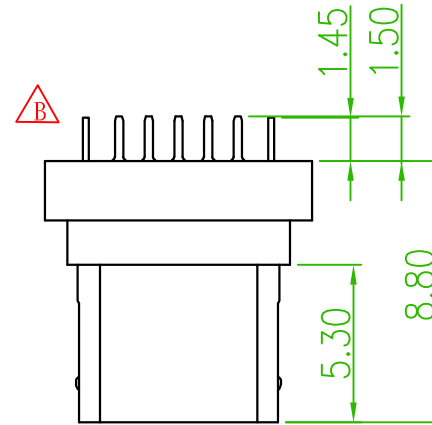
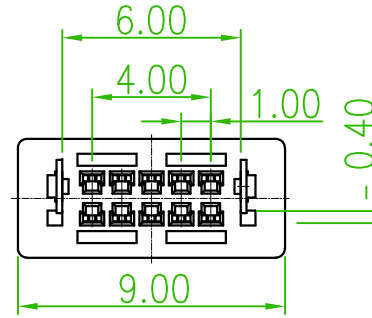




1. MATERIAL :
- 1-1. HOUSING : PBT UL94V-0 ; COLOR : BLACK
 - 1-2. CONTACT : PHOSPHOR BRONZE
 - 1-3. SPRING: PHOSPHOR BRONZE
2. FINISH :
- 2-1. CONTACT A : 10 MICRO INCHES MIN. GOLD PLATED
OTHER AREA:GOLD FLASH
SOLDER TAILS:BRIGHT TIN 60u"
UNDERPLATED NICKEL OVER ALL 50u" MIN
 - 2-2. SPRING: BRIGHT TIN 60u"
UNDERPLATED NICKEL OVER ALL 50u" MIN



 糧德精密有限公司 Amtek Technology Co., Ltd. TEL:886-2-2260-8878 FAX:886-2-2260-8930	品名 TITLE	MINI USB MALE 10 PIN				
	品號 PART NO.	MUSB-M10S-L			日期 DATE	08/22/2005
	圖號 DRAWING NO.	MUSB-M10S-L	版本 REV.	B	繪圖 DRAWN	Kent
	客戶品號 CUSTOMER P/N		比例 SCALE	FREE	核對 CHECKED	Paul
	公差 TOLERANCE	.X ±0.30 .XX ±0.25	單位 UNIT	mm	核准 APPROVED	James

	B	Revise the Drawing	Athena 2015/05/18
AREA	REV.	DESCRIPTION	DATE